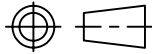
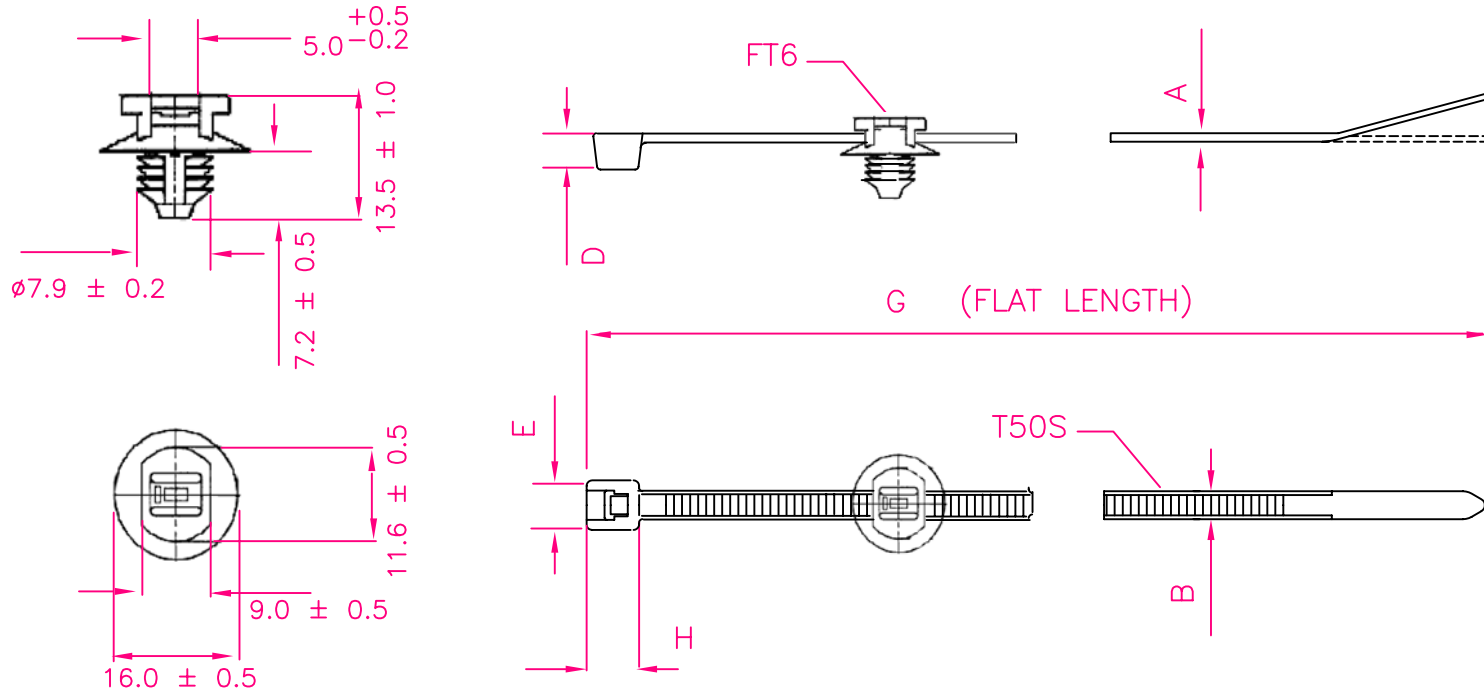


ACAD



Revision level		Revision Record	Changed	Date	Approved	Date
Part	Drawing					
	01	Remove bundle diameter	Mandy Ong	28/01/09	Edward Tan	28/01/09



Hole size (mm)
6.5 to 7.0

Panel thickness (mm)
0.75 to 3.0

Tensile strength
225N

A	B	D	E	G	H
1.2 ± 0.2	4.6 ± 0.2	5.7 ± 0.5	8.1 ± 0.5	160.0 ± 12.0	7.2 ± 0.6

Material P.A. 66

Dimension without tolerances details to:
DIN 16901

Tolerances

PERFORMANCE SPECIFICATION

The copyright of this drawing is reserved by HELLERMANN TYTON. It is issued on condition that it is not reproduced, copied or disclosed to a third party, either wholly or in part, without the consent of HELLERMANN TYTON.

Drawn MANDY ONG 06/12/07
Approved. EDWARD TAN 06/12/07

HellermannTyton

545, Yishun Industrial Park A
Yishun Avenue 7
Singapore 768741
Tel: (+65) 6852 8585
Fax: (+65) 6756 6798

Scale: not to scale Reference: QDQ110-01B-00

Title

T50SFT6

Drawing-No

SG07032-01

Uncontrolled Document

Format

A4

Sheet 1 of 1