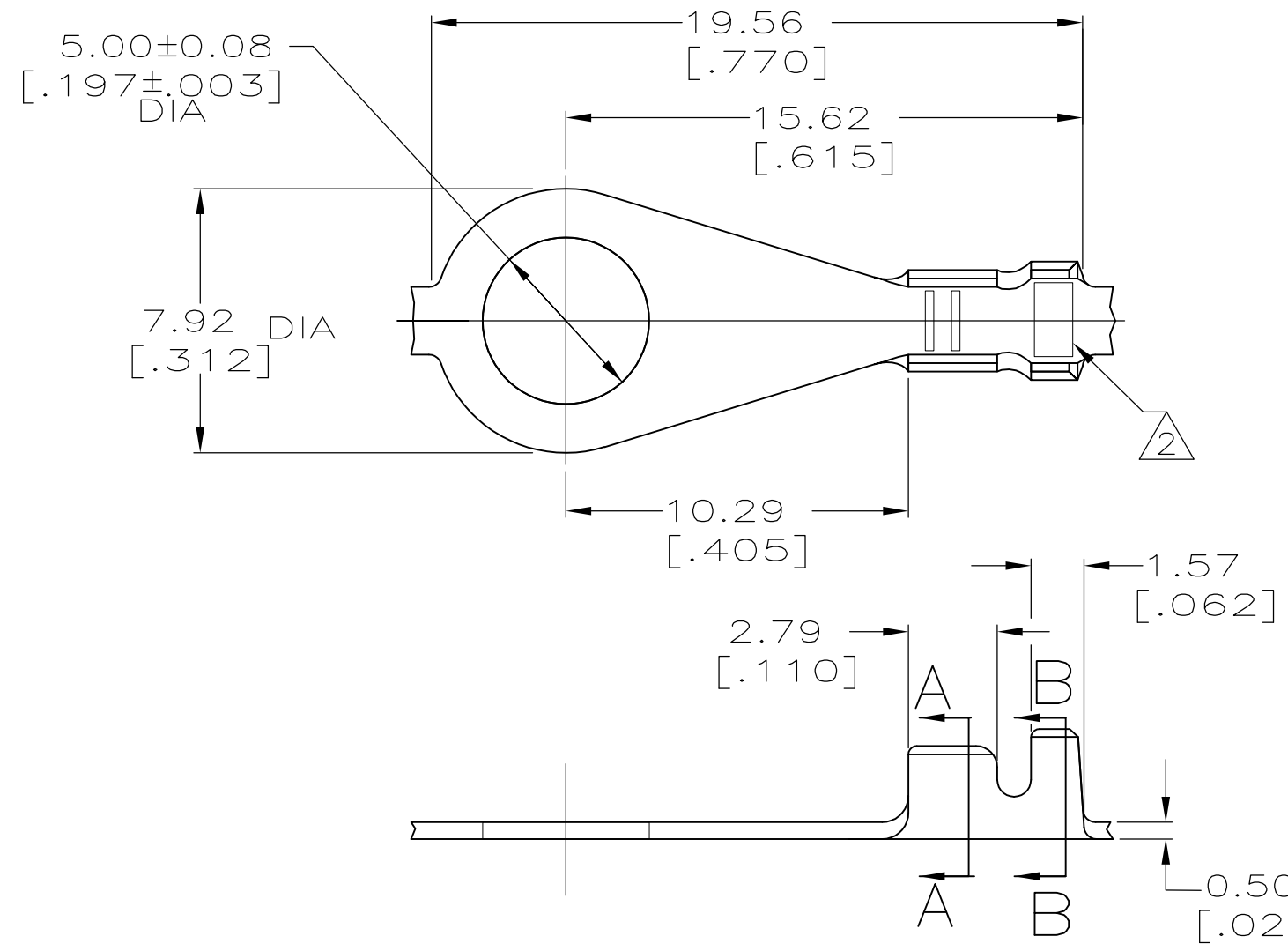
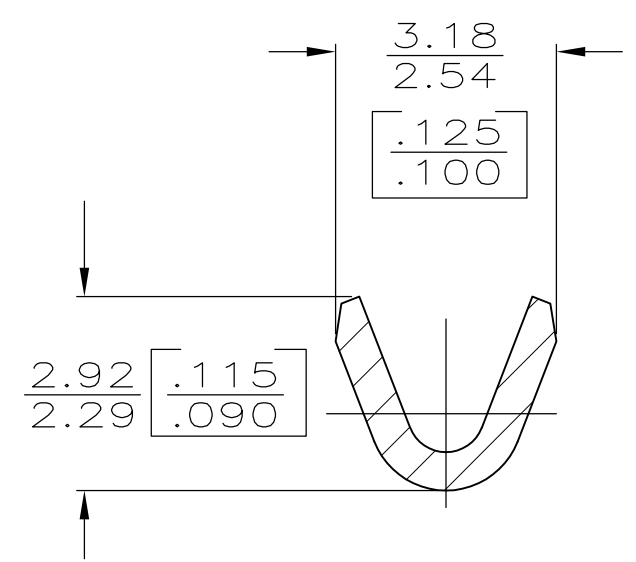


THIS DRAWING IS UNPUBLISHED. RELEASED FOR PUBLICATION  
 © COPYRIGHT BY TYCO ELECTRONICS CORPORATION. ALL INTERNATIONAL RIGHTS RESERVED.

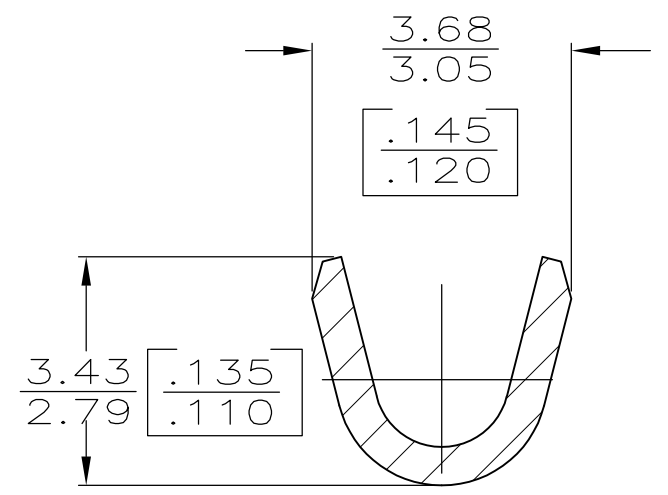
LOC	DIST	REVISIONS					
AF	50	P	LTR	DESCRIPTION	DATE	DWN	APVD
			H	REVISED PER ECR-10-006099	07JUL10	HMR	PD



- CONTINUOUS STRIP ON REEL.
- STAMPING:  
AMP FOR 42164-2  
AMP\* FOR 42164-3.



SECTION A-A  
SCALE 10:1



SECTION B-B  
SCALE 10:1

H02 PHOS BRZ	1.22-1.98 DIA	0.2 - 0.6mm <sup>2</sup>	42164-3
#2 HD BRASS	[.048-.078]	[24-20] AWG	42164-2
MATERIAL	INSULATION RANGE	WIRE RANGE	PART NO

0	2.29 [.090]	4.32 [.170]	F	2.03 [.080]	1.40 [.055]	0.6mm <sup>2</sup> [20]
					1.35 [.053]	0.3mm <sup>2</sup> [22]
					1.27 [.050]	0.2mm <sup>2</sup> [24]
TYPE	WIDTH	STRIP LENGTH ±0.38 [±.015]	TYPE	WIDTH	±0.051 [±.002] HEIGHT	WIRE
INSUL BARREL CRIMP			WIRE BARREL CRIMP			

THIS DRAWING IS A CONTROLLED DOCUMENT.

DIMENSIONS: mm [INCHES]

TOLERANCES UNLESS OTHERWISE SPECIFIED:

0 PLC	± -
1 PLC	± -
2 PLC	± 0.25 [.010]
3 PLC	± -
4 PLC	± -
ANGLES	± -

MATERIAL: SEE TABLE

FINISH: TIN

DWN P FORTNEY 5/13/91

CHK JR RUTH 5/13/91

APVD G YETTER 5/13/91

PRODUCT SPEC

APPLICATION SPEC

WEIGHT -

CUSTOMER DRAWING

Tyco Electronics  
Tyco Electronics Corporation  
Harrisburg, PA 17105-3608

NAME: RING

SIZE: A3 CAGE CODE: 00779 DRAWING NO: C-42164 RESTRICTED TO: -

SCALE: 5:1 SHEET: 1 OF 1 REV: H