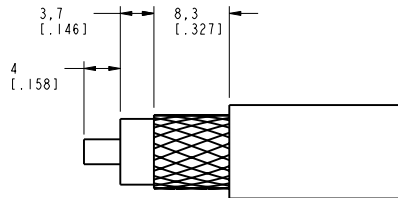


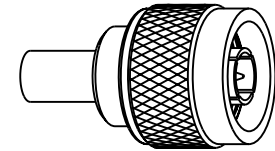
NOTES:

- MATERIALS OF CONSTRUCTION:
SHELL, CONTACT BODY, FERRULE, BODY & BARREL = BRASS, SILVER PLATED
CONTACT PIN = BRASS, GOLD PLATED
INSULATOR = TEFLON, MIL-P-19468
RETAINER RING = STAINLESS STEEL, NATURAL
GASKET = SILICONE RUBBER, COLOR RED
- CRIMPED FERRULE = HEX CRIMP SIZE .255
CRIMPED CONTACT PIN = HEX CRIMP SIZE .100

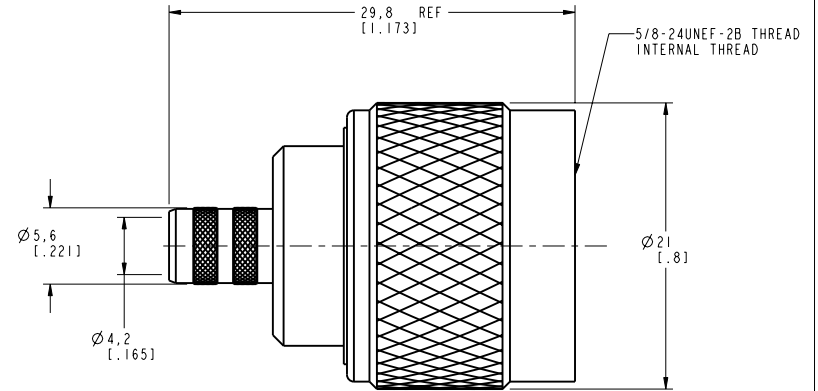
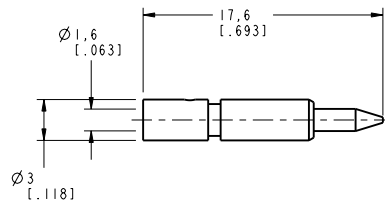
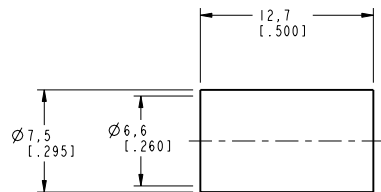
| | | | | | |
|-------------------|-----|-----------------|---------|-------|------|
| 82-6237 | | REVISIONS | | | |
| DRAWING NO. | REV | DESCRIPTION | DATE | ECO | APPR |
| THIRD ANGLE PROJ. | A | RELEASE TO MFG. | 3/21/01 | 43724 | CPM |



RECOMMENDED CABLE STRIPPING DIMENSIONS
SCALE 2.000



SCALE 1.500



CUSTOMER OUTLINE DRAWING
ALL OTHER SHEETS ARE FOR INTERNAL USE ONLY

| | | | | | | | | |
|---|--------------------------------|---------------------------|-----------------|---|--|---------------------------|------------------------|----------|
| UNLESS OTHERWISE SPECIFIED, DIMENSIONS ARE IN INCHES AND TOLERANCES ARE: 0.5 - 6mm ±0.2mm 6 - 30mm ±0.4mm 30 - 120mm ±0.6mm | MATERIAL | DRAWN C. McGRATH | DATE 3/15/01 | TITLE 'N' CRIMP PLUG (SILVER PLATED) | Amphenol Amphenol Corporation Communication and Network Products Division Danbury, CT U.S.A. 06810 | | | |
| | REFERENCE GEN# 82-6152.ASSY | ENGINEER O. BARTHELMES | DATE 3/15/01 | | | SCALE: 3.0:1 SHEET 2 OF 2 | | |
| NOTICE - These drawings, specifications, or other data (1) are, and remain the property of Amphenol Corp. (2) must be returned upon request; and (3) are confidential and not to be disclosed to any person other than those to whom they are given by Amphenol Corp. The furnishing of these drawings, specifications, or other data by Amphenol Corp., or to any other person to anyone for any purpose is not to be regarded by implication or otherwise in any manner licensing, granting rights or permitting such holder or any other person to manufacture, use or sell any product, process or design, patented or otherwise, that may in any way be related to or disclosed by said drawings, specifications, or other data. | | APPROVED O. BARTHELMES | DATE 3/21/01 | CAD FILE I:\N182-6237 | CODE ID 74868 | DWG SIZE B | DRAWING NO. 82-6237 | REV A |