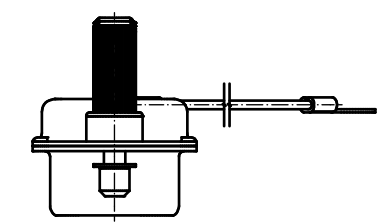
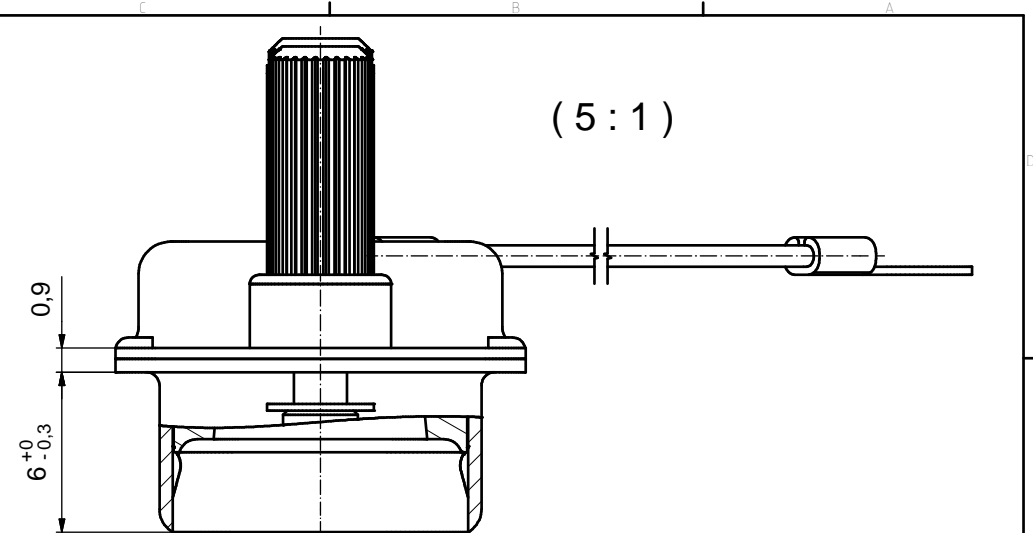


Part. No. for socket connector	
UNC 4-40	M3
15-000050	15-000100



- NOTES:**
- METALSHELLS: COPPER ALLOY; min. 315µin TIN over 40-80µin NICKEL
  - TPE ETHYLENE PROPYLENE THERMOPLASTIC RUBBER SEAL
  - IP RATING: THE WATER RESISTANT CAP MUST BE MOUNTED PROPERLY TO THE MATING CONNECTOR FOR IP 67
  - THREADED INSERT: COPPER ALLOY; min. 200µin TIN over 80µin NICKEL
  - COLLAR: COPPER ALLOY; min. 200µin TIN over 80µin NICKEL
  - JACKSCREW: STAINLESS STEEL 1.4305
  - WIRE ROPE: STAINLESS STEEL 1.4401
  - RETAINING WASHER: STAINLESS STEEL 1.4122
  - TERMINAL RING: UNINSULATED, COPPER ALLOY; min. 200µinTIN over 80µin NICKEL
  - MAXIMUM TORQUE VALUE FOR THREAD: 6in.LB
  - CONNECTOR IS PART MARKED: [PART NO. CONEC ABC]

Directive 2002/95/EC  
"RoHS"  
Compliant

THIS DRAWING MAY NOT BE COPIED OR REPRODUCED IN ANY WAY, AND MAY NOT BE PASSED ON TO A THIRD PARTY WITHOUT WRITTEN PERMISSION. OWNERSHIP AND COPYRIGHT OF CONEC GmbH DO NOT ALTER CAD DRAWING BY HAND		tolerance ISO 2768-m		dim. in mm	scale: 2:1 (5:1)	material: SEE NOTES
			date 23.05.08	name Petker	title: <b>WATER RESISTANT SCREEN CAP</b> 50pos. FOR SOCKET CONNECTOR with threaded insert, jackscrew and wire rope	
			appd. 26.05.08	Fischer		
			norm		dwg no: Inventor 10	DIN-A3
		d-old			sh: 1	
	a	Origin			<b>CONEC</b> ®	
rev.	description	date	name		15K1A224	part no: see table