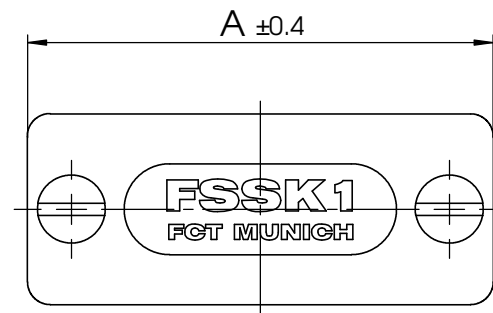
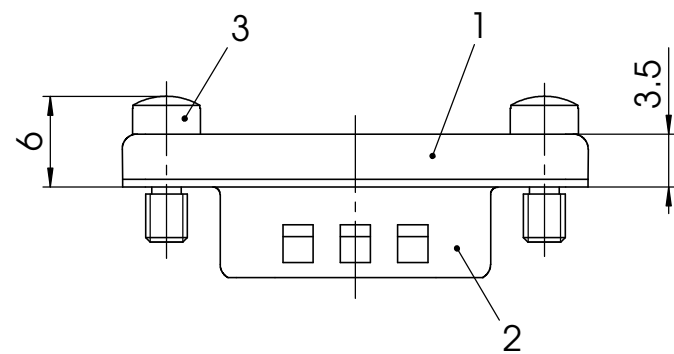
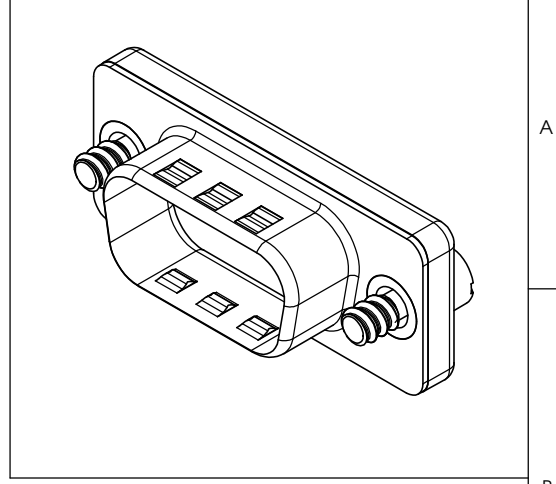
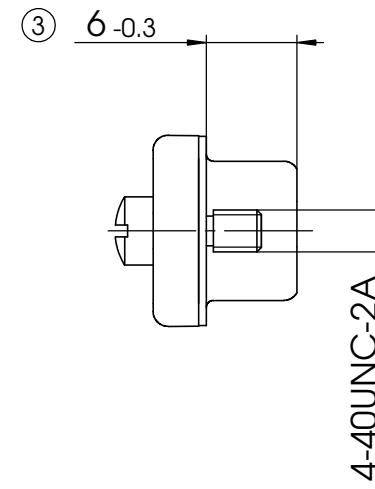
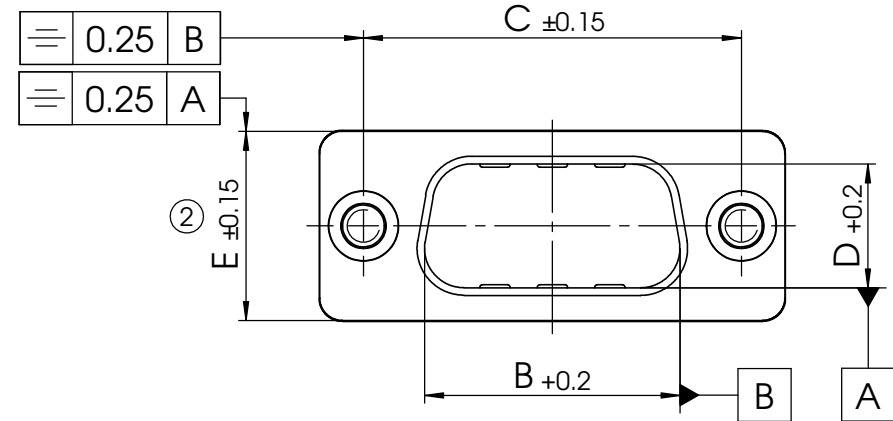


COMMENT:  
 ALL RIGHTS ARE RESERVED BY US FOR THIS DRAWING. WITHOUT OUR PRIOR CONSENT,  
 IT MAY NEITHER BE DUPLICATED NOR MADE AVAILABLE TO A THIRD PARTY,  
 AND IT ALSO MAY NOT BE IMPROPERLY USED BY THE RECEIVER, OR A THIRD PARTY.



# FSSKx<sup>\*1)</sup> P

e.g. FSSK1P

\*1) x Shell size 1, 2, 3, 4 or 5

Shell size	A mm	B mm	C mm	D mm	E mm
1	30.8	16.9	25	8.2	12.5
2	39.1	25.2	33.3	8.2	12.5
3	53	38.9	47.04	8.2	12.5
4	69.3	55.3	63.5	8.2	12.5
5	66.9	52.8	61.1	11	15.4

② max. torque are 40 Ncm

No.	St.	Part	Type	Description/Material	Surface plating/Colour/Class
3	2	Screw	4-40 / Brass		nickel plated
2	1	Shell	Brass		tin plated
1	1	Shielding flange	FSSK1-5 / Zinc die-cast		nickel plated

						Measurement without tolerance occ. to ISO 2768-m SCALE 2:1 TITLE <b>Shielded Dust Cap</b>	
				NAME / DATE DRAWN Denzinger 17-06-2002 CHECKED KBurkhardt 02-11-2007			
3	01-11-2007	22137			DWG.NO.	<b>FSSK1-5P</b>	
2	05-09-2007	21987			REV.		3
1					REPLACEMENT FOR:		PAGES 1
REV.	DATE	CH.-NO.	ORIGINAL: DIN A3-DRAWING AS A FILE		REPLACEMENT FOR:		