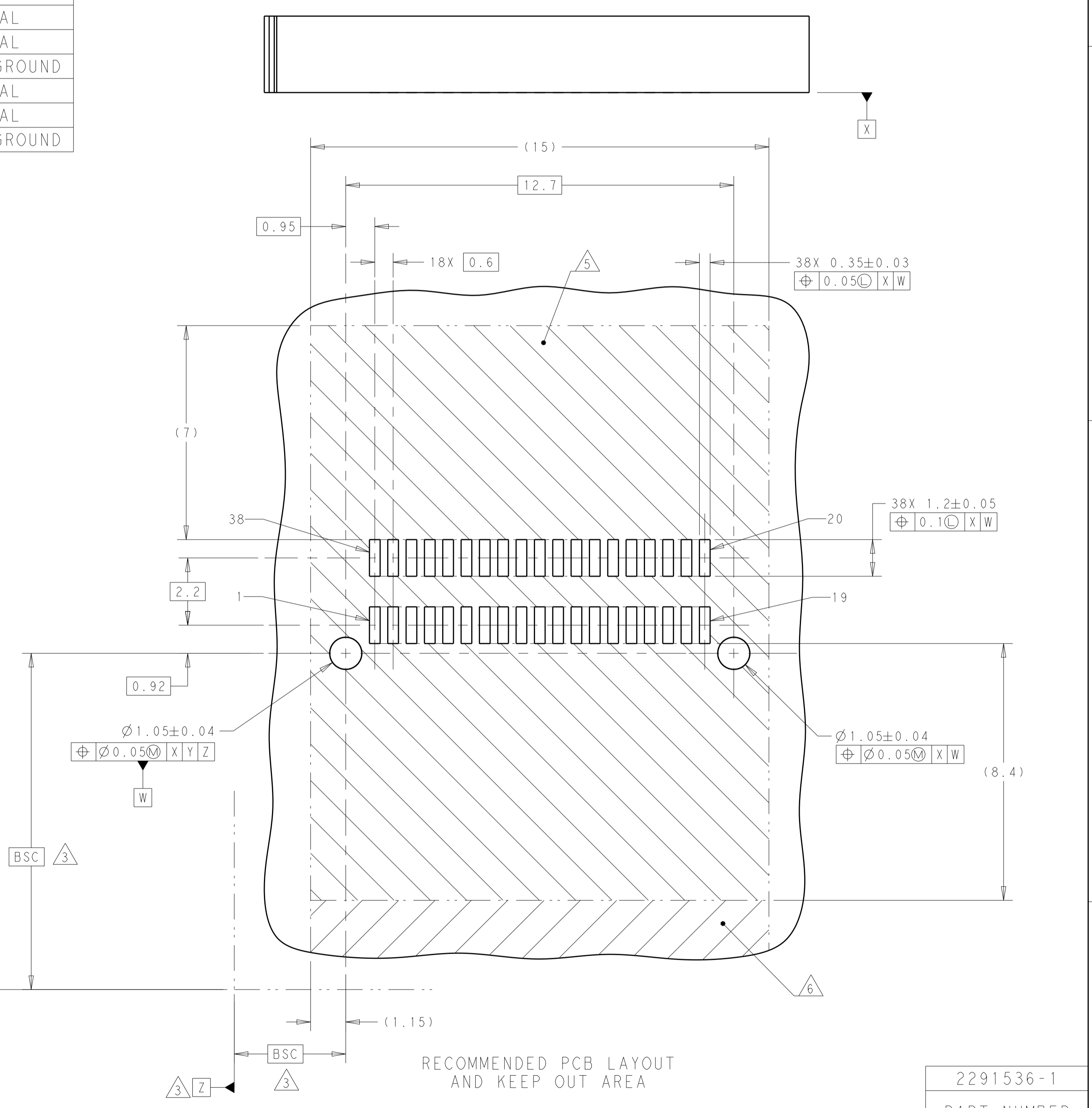
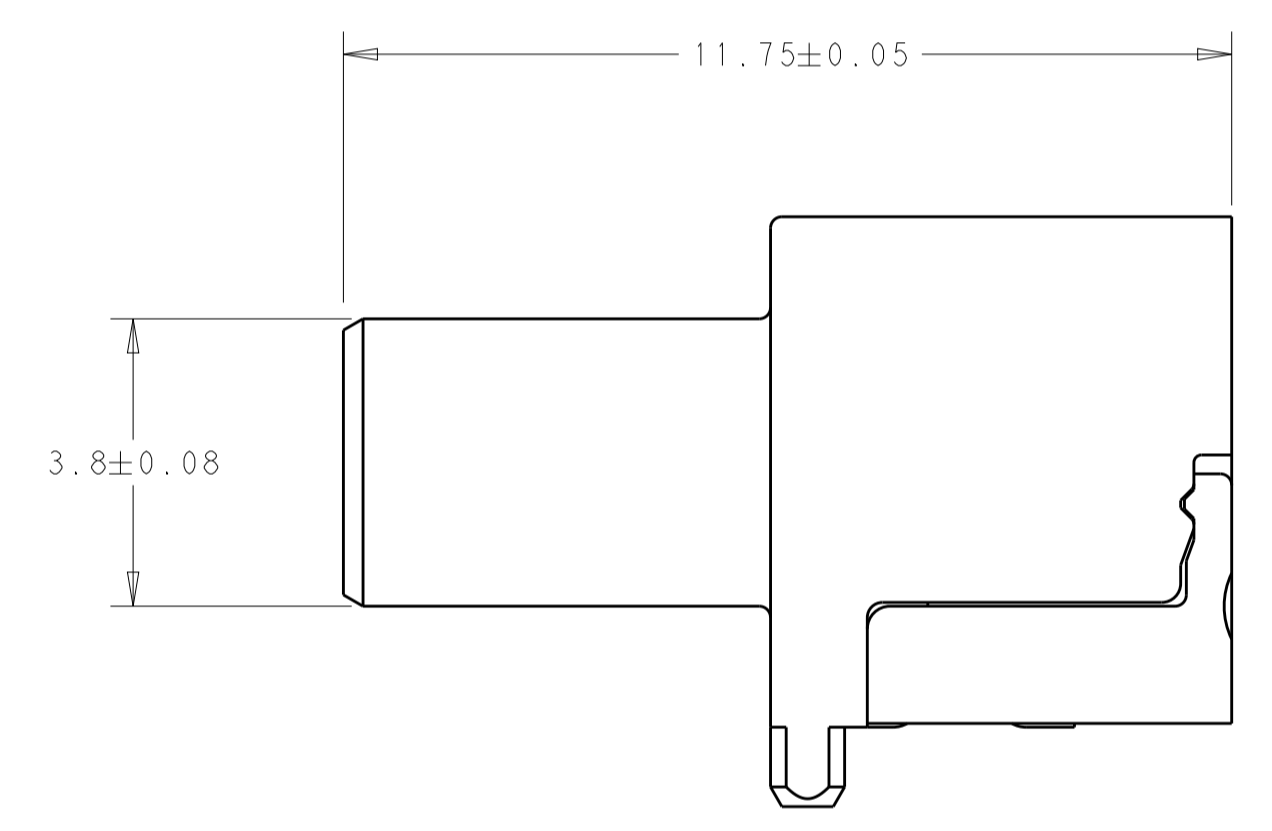
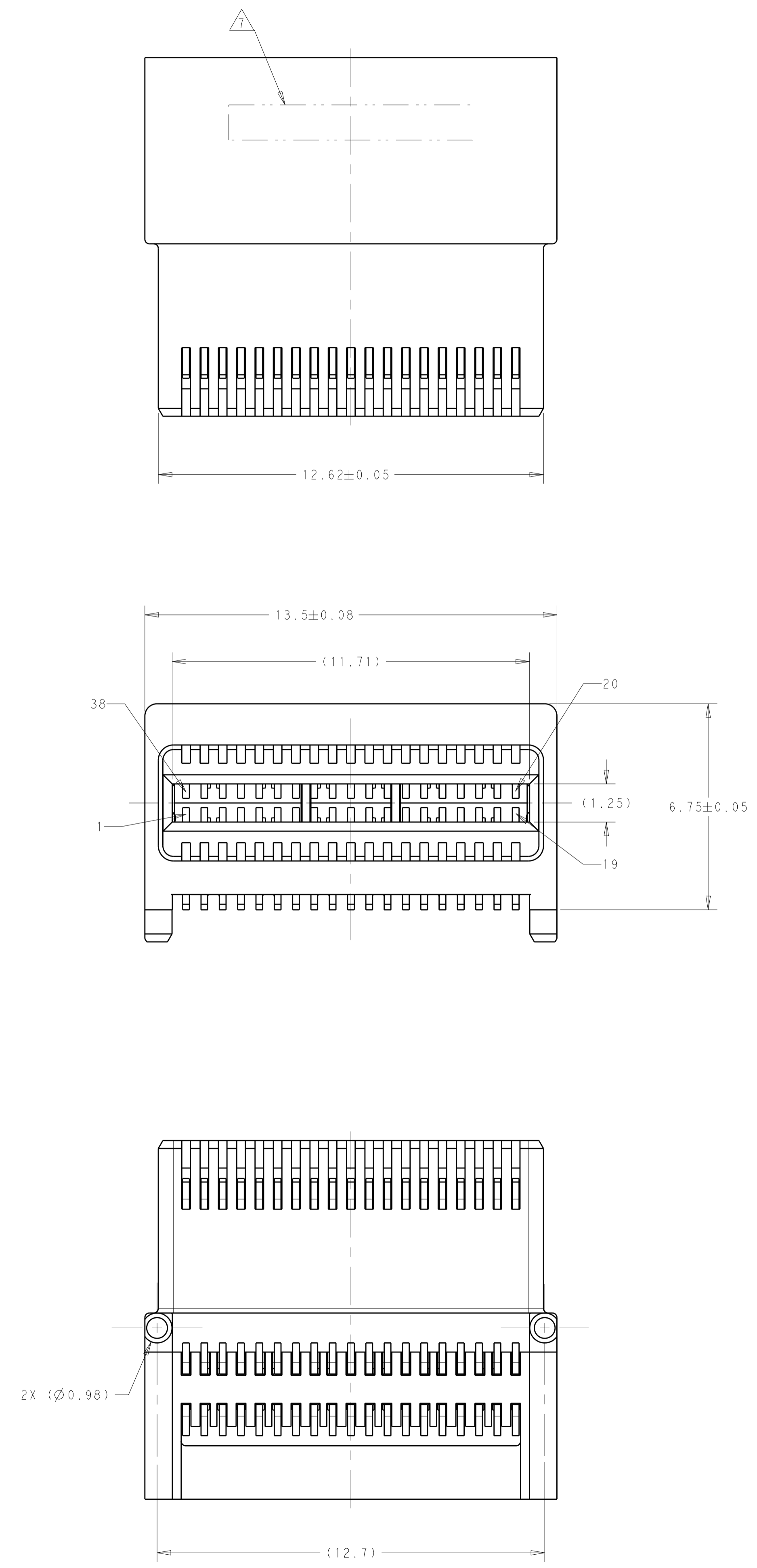


REVISIONS				
P.	LTH	DESCRIPTION	DATE	APVD
9		(6.75) WAS (6.9)	10FEB2016	CJV MJP
10		ALIGNMENT HOLES NOW MMC	22FEB2016	CJV MJP
11		GUIDE POST HOLES WERE 1.1 DIA	04AUG2016	CJV MJP
12		SOME DIMS GIVEN TOLS	04JAN2017	CJV MJP

PIN #	DESCRIPTION	PIN #	DESCRIPTION
1	SIGNAL GROUND	20	SIGNAL GROUND
2	SIGNAL	21	SIGNAL
3	SIGNAL	22	SIGNAL
4	SIGNAL GROUND	23	SIGNAL GROUND
5	SIGNAL	24	SIGNAL
6	SIGNAL	25	SIGNAL
7	SIGNAL GROUND	26	SIGNAL GROUND
8	AUX	27	AUX
9	AUX	28	AUX
10	AUX	29	AUX
11	AUX	30	AUX
12	AUX	31	AUX
13	SIGNAL GROUND	32	SIGNAL GROUND
14	SIGNAL	33	SIGNAL
15	SIGNAL	34	SIGNAL
16	SIGNAL GROUND	35	SIGNAL GROUND
17	SIGNAL	36	SIGNAL
18	SIGNAL	37	SIGNAL
19	SIGNAL GROUND	38	SIGNAL GROUND

- ① HOUSING, ORGANIZER AND CONTACT OVERMOLD: LCP, BLACK. CONTACTS: COPPER ALLOY.
- ② CONFORMS TO THE REQUIREMENTS OF TE PRODUCT SPECIFICATION, BASED ON EIA/ECA-364-1000.OIA. (CONTROLLED ENVIRONMENT APPLICATIONS) ON MATING END. TIN PLATED ON PCB TAILS.
- ③ DATUM AND BASIC DIMENSION ESTABLISHED BY CUSTOMER.
- 4. MINIMUM HOST BOARD THICKNESS:
SINGLE SIDED - 1.44 MIN
BELLY TO BELLY - 2.2 MIN
- ⑤ RECOMMENDED COMPONENT KEEP OUT AREA.
- ⑥ RECOMMENDED COMPONENT AND TRACES KEEP OUT AREA.
- ⑦ PART NUMBER AND DATE CODE MARKED IN APPROXIMATE AREA SHOWN.



THIS PRODUCT HAS NOT COMPLETED VALIDATION AND QUALIFICATION TESTING

PRELIMINARY NOT RELEASED FOR PRODUCTION

THIS DRAWING IS A CONTROLLED DOCUMENT.		DWN: M_SHIRK 01APR2015	TE TE Connectivity
DIMENSIONS: mm		CHK: M_PHILLIPS 01APR2015	
TOLERANCES UNLESS OTHERWISE SPECIFIED:		APVD: -	NAME: RECEPTACLE ASSEMBLY, RIGHT ANGLE, 38 POSITION, MICRO QSFP
0 PLC	±	PRODUCT SPEC	
1 PLC	±	APPLICATION SPEC	
2 PLC	±	SIZE	A1
3 PLC	±	CAGE CODE	-
4 PLC	±	DRAWING NO	2291536
ANGLES	±	WEIGHT	-
FINISH	±	CUSTOMER DRAWING	-
MATERIAL		SCALE	10:1
①		SHEET	1 OF 1
②		REV	12

2291536-1 PART NUMBER