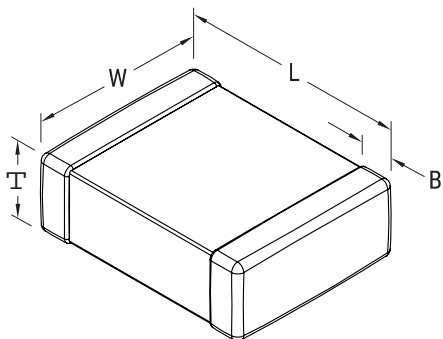


KEMET Part Number: LDECB2470KA0N00
(DECB2470KA0N00)

LDE, Film, Metallized PEN Stacked, Automotive Grade, 0.047 uF, 10%, 40 VAC, 50 VDC, 125C, 1210, 2.1mm



General Information

Supplier:	KEMET
Series:	LDE
Dielectric:	Metallized PEN Stacked
Style:	SMD Chip
Features:	Automotive Grade
RoHS:	Yes
Qualifications:	AEC-Q200
AEC-Q200:	Yes
Shelf Life:	104 Weeks
MSL:	3

Dimensions

Chip Size	1210
L	3.3mm +0.3/-0.1mm
W	2.5mm +/-0.3mm
T	2.1mm MAX
B	0.5mm +0.5/-0.3mm

Specifications

Capacitance:	0.047 uF
Capacitance Tolerance:	10%
Voltage AC:	40 VAC
Voltage DC:	50 VDC
Temperature Range:	-55/+125C
Rated Temperature:	125C
Dissipation Factor:	0.80% 1kHz
Insulation Resistance:	1 GOhms
Max dV/dt:	100 V/us

Packaging Specifications

Packaging:	T&R
Packaging Quantity:	2250