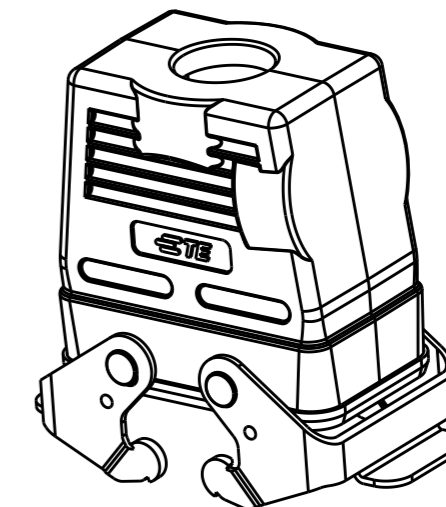
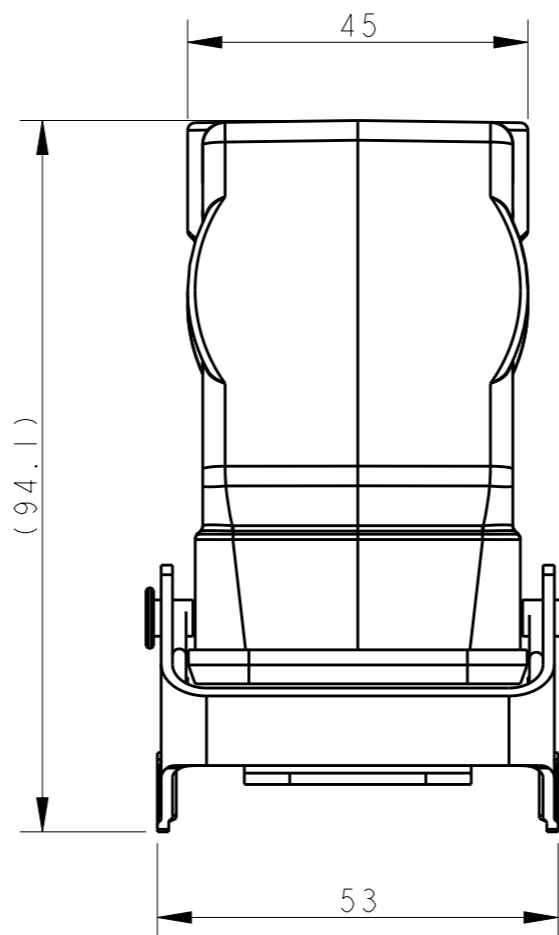
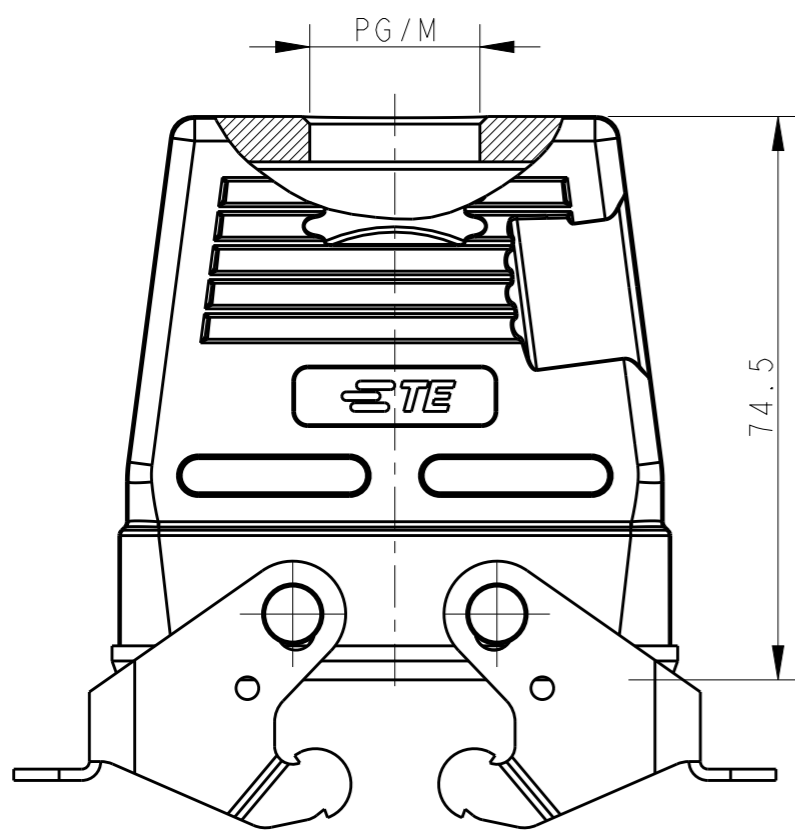


THIS DRAWING IS UNPUBLISHED. RELEASED FOR PUBLICATION 20  
 © COPYRIGHT 20 BY - ALL RIGHTS RESERVED.

REVISIONS

P	LTR	DESCRIPTION	DATE	DWN	APVD
	A	INITIAL RELEASE	08JUL2015	DL	CW



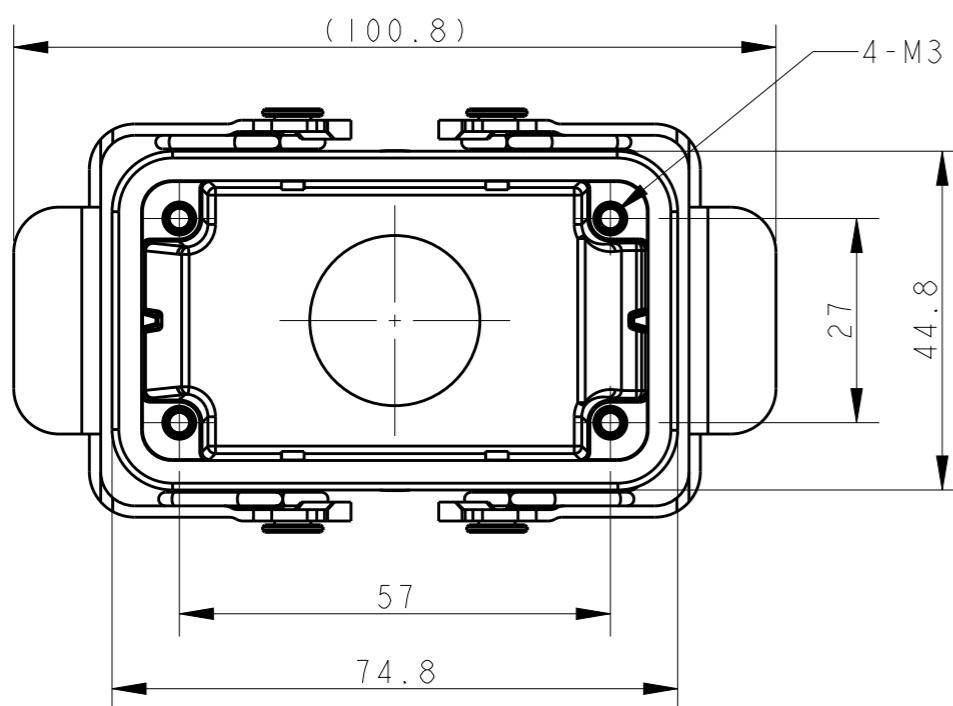
SCALE 3:5

NOTES:


- 1. TECHNICAL CHARACTERISTICS:  
 BODY MATERIAL: DIE CAST ALUMINIUM ALLOY  
 SURFACE TREATMENT: POWDER-COATED, GRAY  
 OPERATION TEMPERATURE: -40-+125°C  
 DEGREE OF PROTECTION: IP65 (MATED)

注释:

- 1. 技术参数:  
 主体材料: 铝合金  
 表面处理: 粉末喷涂, 灰色  
 工作温度: -40-+125°C  
 防护等级: IP65(配合)



TI750102116-000	H10B-TBFH-PG16	PG16
TI750102121-000	H10B-TBFH-PG21	PG21
TI750102129-000	H10B-TBFH-PG29	PG29
TI750102132-000	H10B-TBFH-M32	M32
ASSEMBLY PART NUMBER	ASSEMBLY PART DESCRIPTION	PG/M

THIS DRAWING IS A CONTROLLED DOCUMENT.		DWN 08JUL2015 DAVID LI	 TE Connectivity	
DIMENSIONS: mm		CHK 08JUL2015 CHRIS WANG		
TOLERANCES UNLESS OTHERWISE SPECIFIED:		APVD 08JUL2015 XU XIANG	PRODUCT SPEC 108-137013	
0 PLC ±- 1 PLC ±- 2 PLC ±- 3 PLC ±- 4 PLC ±- ANGLES ±-		APPLICATION SPEC 114-137013		SIZE A3
MATERIAL TBD	FINISH -	WEIGHT -	CAGE CODE -	DRAWING NO C-TI7501021XX000
CUSTOMER DRAWING			RESTRICTED TO -	SCALE 1:1
			SHEET 1	OF 1
			REV A	