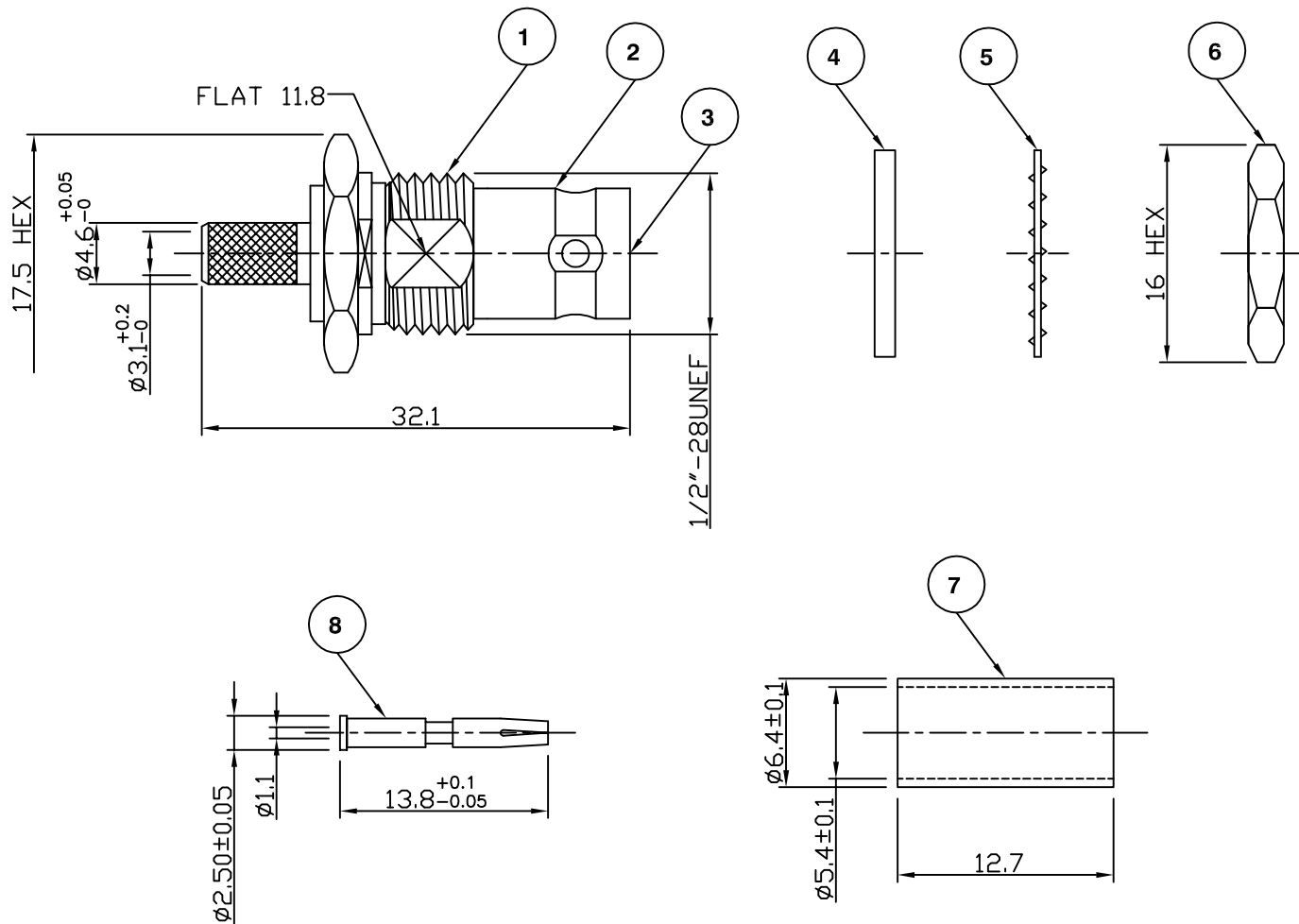


RoHS COMPLIANT



Electrical Characteristics

Nominal Impedance:	50 ohms
Frequency Range:	DC to 4 GHz
VSWR:	1.35:1 maximum
Insertion Loss:	0.2 dB at 3 GHz
Operating Voltage (rms):	500 V maximum at sea level
Dielectric Withstand Voltage (rms):	1500 V maximum at sea level
Contact Resistance:	1.5 milliohms maximum
Insulation Resistance:	5000 megohms minimum

Mechanical Characteristics

Mating Cycles:	500 cycles minimum
Interface Dimensions:	Conform to MIL-C-39012

Environmental Characteristics

Temperature Range:	-55 °C to +85 °C
--------------------	------------------

PART	DESCRIPTION
1	Body Insulation ABS
2	Body Brass, nickel plated
3	Dielectric POM
4	Gasket PVC
5	Washer Steel, nickel plated
6	Nut Brass, nickel plated
7	Ferrule Brass, nickel plated
8	Contact Brass, gold plated

Panel Cut-Out: PCD-3

CAD Issue	SN	2	31 Jul 03
First Issue	AT	1	29 Apr 96
DESCRIPTION OF REVISION	APPVD	ISS	DATE

For stripping and assembly instructions see Drawing Number: VAIB4101



Cinch Connectivity Solutions,
7-13 Russell Way,
Widford Industrial Estate,
Chelmsford,
Essex, CM1 3AA, UK
Tel: +44 (0) 1245 359515
Fax: +44 (0) 1245 358938

SCALE: Not To Scale

DIMENSIONS: mm

TOLERANCES:
± 0.2mm unless
otherwise stated

DRAWN BY:

S Nash

CHECKED BY:

APPROVED BY:

DATE:

31 Jul 03

TITLE:

Insulated BNC Crimp
Bulkhead Jack for RG58

PART NUMBER:

VB140-2051

PAGE: 1 of 1