

No OF POSITIONS
-10, -20, -30, -40, -50, ***-60
(PER ROW)

LEAD STYLE
-05.0= 5mm

PLATING SPECIFICATION
-S: .000030" SELECTIVE GOLD
IN CONTACT AREA,
MATTE TIN ON TAIL
-L: .000010" LIGHT SELECTIVE
GOLD IN CONTACT AREA,
MATTE TIN ON TAIL

ROW
-04: 4 ROWS
-06: 6 ROWS
-08: 8 ROWS (SEE NOTE 10)
-10: 10 ROWS (SEE NOTE 10)
**-12: 12 ROWS

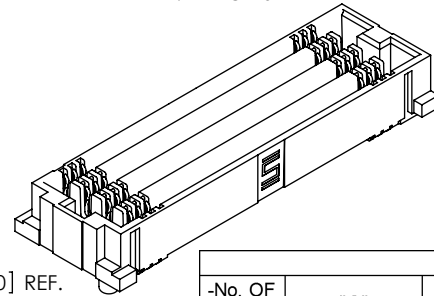
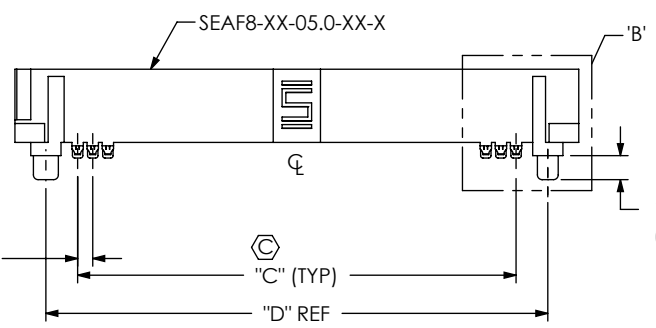
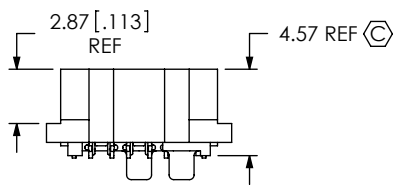
K DOT
(SEE SHT 3, FIG 2)(SEE NOTE 11)
DOT APPLICATOR-KAPTON TAPE

SOLDER COMPOSITION
& STYLE

*-1: 63.0% TIN / 37.0% LEAD
CHARGE TAIL
*-2: 95.5% TIN / 3.8% SILVER/
0.7% COPPER CHARGE TAIL

(* = NOT TOOLED)
(** = NOT ENGINEERING APPROVED)
(*** = NOT ENGINEERING APPROVED, NOT
TOOLED FOR -04, -06 & -08 ROWS)

PATENT NUMBER
7837522,
ADDITIONAL
PATENTS
PENDING



1.27 [.050] REF.
(2 PLCS)

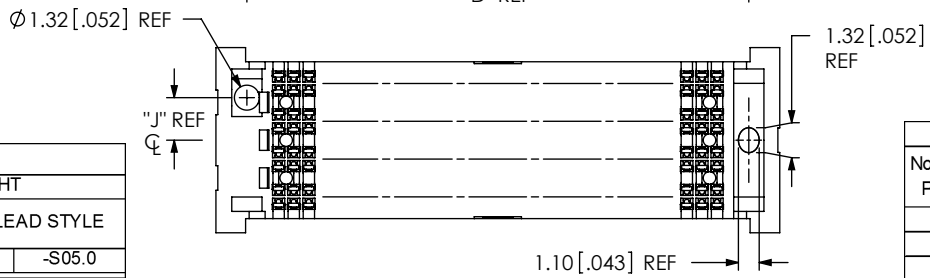


TABLE 3

No. OF ROWS	"G"	"H"	"J"	"Q"
-04	4.30 [0.169]	2.92 [0.115]	1.25 [0.049]	N/A
-06	6.30 [0.248]	4.92 [0.194]	2.25 [0.089]	N/A
-08	8.30 [0.327]	6.92 [0.272]	2.25 [0.089]	N/A
-10	10.30 [0.406]	8.92 [0.351]	2.25 [0.089]	10.46 [0.412]
** -12	12.30 [0.484]	10.92 [0.430]	2.25 [0.089]	12.46 [0.491]

(** = NOT ENGINEERING APPROVED)

TABLE 1
STACK HEIGHT

SEAF8 LEAD STYLE	SEAM8 LEAD STYLE	
	-S02.0	-S05.0
-05.0 [0.197]	7.0 [0.276]	10.0 [0.394]

TABLE 2


No. OF POS. PER ROW	"A"	"B"	"C"	"D"	"E"	"F"
-10	13.84 [0.545]	10.48 [0.413]	7.20 [0.283]	10.56 [0.416]	9	7.200 [0.283]
-20	21.84 [0.860]	18.48 [0.728]	15.20 [0.598]	18.56 [0.731]	19	15.200 [0.598]
-30	29.84 [1.175]	26.48 [1.043]	23.20 [0.913]	26.56 [1.046]	29	23.200 [0.913]
-40	37.84 [1.490]	34.48 [1.357]	31.20 [1.228]	34.56 [1.361]	39	31.200 [1.228]
-50	45.84 [1.805]	42.48 [1.672]	39.20 [1.543]	42.56 [1.676]	49	39.200 [1.543]
***-60	53.84 [2.120]	50.48 [1.987]	47.20 [1.858]	50.56 [1.991]	59	47.200 [1.858]

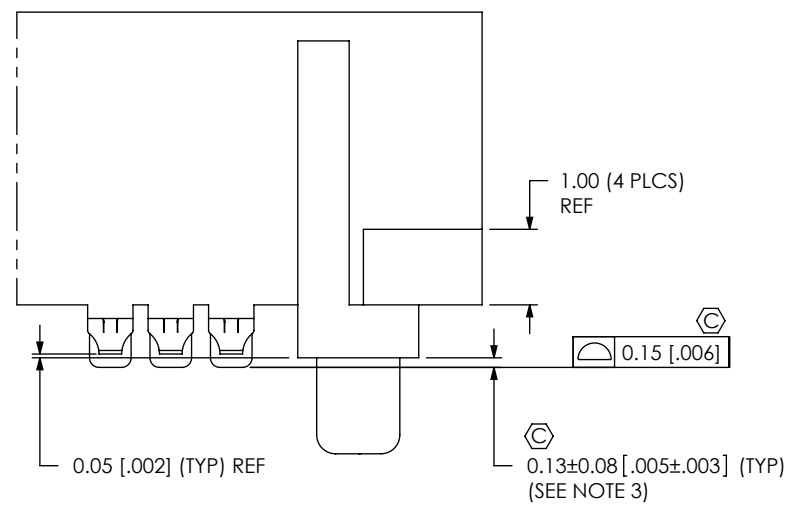
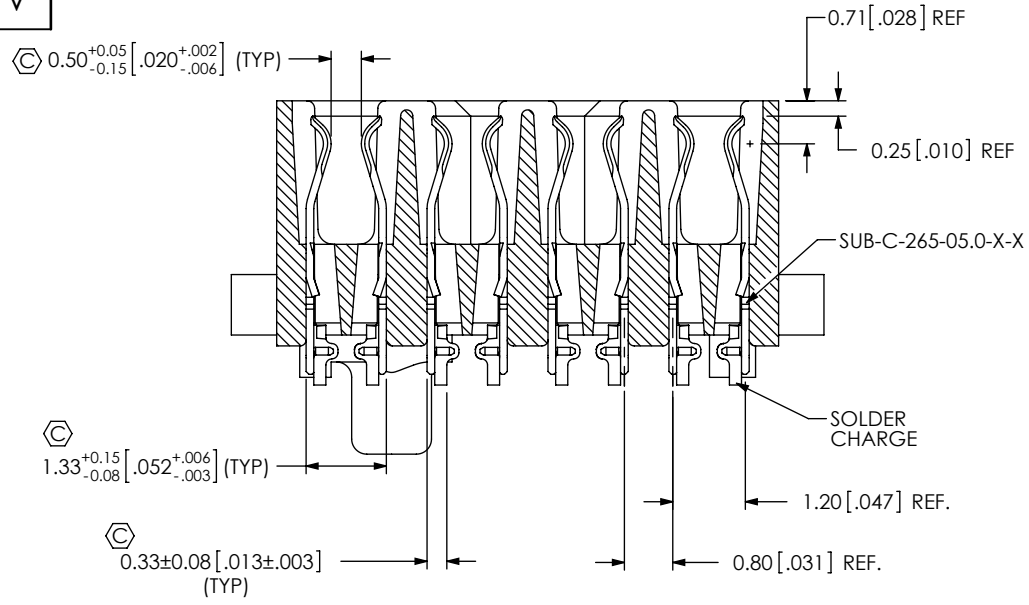
(*** = NOT ENGINEERING APPROVED, NOT TOOLED FOR -04, -06 & -08 ROWS)

FIG 1
(SEAF8-30-05.0-X-XX-X-K SHOWN)
(SOME CENTER FEATURES REMOVED FOR CLARITY)

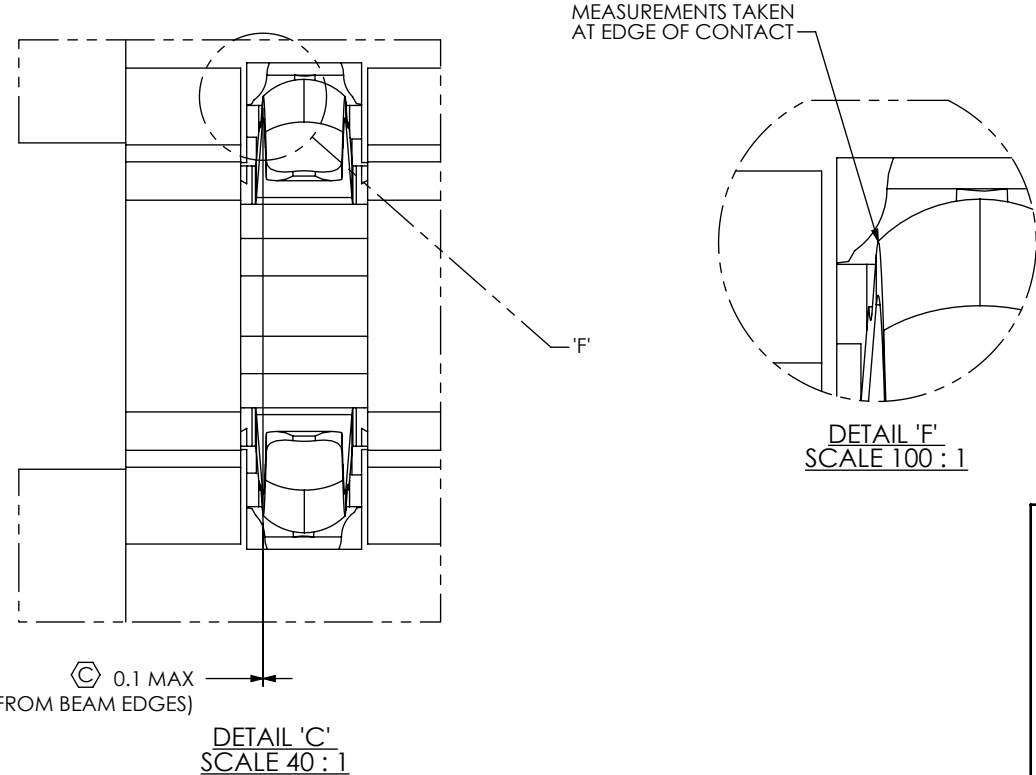
NOTES:


- ⊗ REPRESENTS A CRITICAL DIMENSION.
- MINIMUM PUSH OUT FORCE 1.6N [0.36 LBS.]
- DIMENSION TO BE MEASURED IN ALL FOUR CORNERS TO THE STAND-OFF.
- TAPE & REEL WILL BE SUPPLIED WHETHER OR NOT -TR IS SPECIFIED.
- FOR QUANTITIES UP TO 49 PCS., NO LEADER, TRAILER OR REEL WILL BE SUPPLIED, FOR QUANTITIES OF 50-124 PCS., NO LEADER OR TRAILER WILL BE SUPPLIED, SPLICES MAY BE PRESENT.
- NOTE DELETED.
- ATTACH LABEL "SEAX-0001" TO EACH TAPE & REEL PACKAGE.
- ⊗ MAXIMUM ROW TO ROW VARIATION 0.08 [.003], MEASURED FIRST AND LAST POSITIONS ONLY, ALL ROWS.
- CENTER MACHINE LUGS ON -40, -50 & -60 POSITIONS ONLY.
- 8 & 10 ROWS ARE RELEASED FOR NITROGEN ENVIRONMENT PROCESSING ONLY. NOT RECOMMENDED FOR AIR ONLY PROCESSING.
- K DOT WILL BE SUPPLIED WHETHER OR NOT -K IS SPECIFIED".

<p>UNLESS OTHERWISE SPECIFIED, DIMENSIONS ARE IN MILLIMETERS [INCHES].</p> <p>TOLERANCES ARE:</p> <p>DECIMALS ANGLES X.X: ±0.3 [.01] 2° X.XX: ±0.13 [.005] X.XXX: ±0.051 [.0020]</p>	<p>* PROPRIETARY NOTE *</p> <p>THIS DOCUMENT CONTAINS CONFIDENTIAL AND PROPRIETARY INFORMATION AND ALL DESIGN, MANUFACTURING, REPRODUCTION, USE, PATENT RIGHTS AND SALES RIGHTS ARE EXPRESSLY RESERVED BY SAMTEC, INC. THIS DOCUMENT SHALL NOT BE DISCLOSED, IN WHOLE OR PART, TO ANY UNAUTHORIZED PERSON OR ENTITY NOR REPRODUCED, TRANSFERRED OR INCORPORATED IN ANY OTHER PROJECT IN ANY MANNER WITHOUT THE EXPRESS WRITTEN CONSENT OF SAMTEC, INC.</p>	 <p>520 PARK EAST BLVD., NEW ALBANY, IN 47150 PHONE: 812-944-6733 FAX: 812-948-5047 e-Mail: info@SAMTEC.com code 55322</p>



SECTION "A"-"A"
SCALE 8 : 1
(VIEW ROTATED 90°CW)



<p>PROPRIETARY NOTE</p> <p>THIS DOCUMENT CONTAINS CONFIDENTIAL AND PROPRIETARY INFORMATION AND ALL DESIGN, MANUFACTURING, REPRODUCTION, USE, PATENT RIGHTS AND SALES RIGHTS ARE EXPRESSLY RESERVED BY SAMTEC, INC. THIS DOCUMENT SHALL NOT BE DISCLOSED, IN WHOLE OR PART, TO ANY UNAUTHORIZED PERSON OR ENTITY NOR REPRODUCED, TRANSFERRED OR INCORPORATED IN ANY OTHER PROJECT IN ANY MANNER WITHOUT THE EXPRESS WRITTEN CONSENT OF SAMTEC, INC.</p> <p>DO NOT SCALE DRAWING</p> <p>SHEET SCALE: 2:1</p>		
	<p>520 PARK EAST BLVD, NEW ALBANY, IN 47150 PHONE: 812-944-6733 FAX: 812-948-5047 e-Mail info@SAMTEC.com code 55322</p>	
	<p>DESCRIPTION: 0.8MM PITCH SOCKET ARRAY ASSY</p>	
	<p>DWG. NO. SEAF8-XX-05.0-X-XX-X-K</p>	
<p>BY: M MURILLO 01/09/09</p>		<p>SHEET 2 OF 3</p>

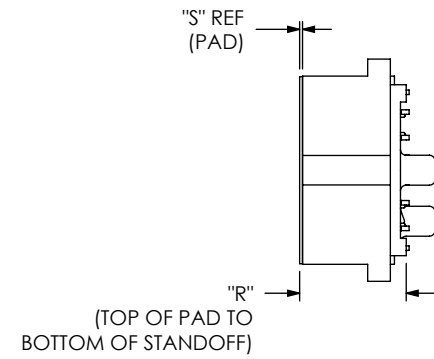
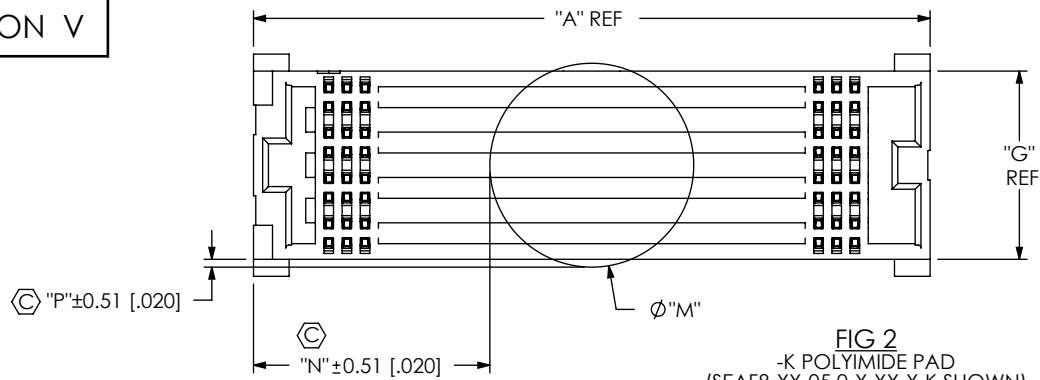


FIG 2
-K POLYIMIDE PAD
(SEAF8-XX-05.0-X-XX-X-K SHOWN)
(SOME CENTER FEATURES REMOVED FOR CLARITY)

TABLE 4

-No. OF ROWS	Ø "M"	"N"						"P"	"R"
		10 POS	20 POS	30 POS	40 POS	50 POS	60 POS		
-04	5.51 [.217]	4.17 [.164]	8.17 [.321]	12.17 [.479]	16.17 [.636]	20.17 [.794]	24.17 [.951]	0.61 [.024]	4.70 [.185]
-06	7.49 [.295]	3.18 [.125]	7.18 [.282]	11.18 [.440]	15.18 [.597]	19.18 [.755]	23.18 [.912]	0.60 [.023]	4.70 [.185]
-08	8.99 [.354]	2.43 [.095]	6.43 [.253]	10.43 [.410]	14.43 [.568]	18.43 [.725]	22.43 [.883]	0.35 [.014]	4.70 [.185]
-10	11.68 [.460]	1.08 [.043]	5.08 [.200]	9.08 [.357]	13.08 [.515]	17.08 [.672]	21.08 [.830]	0.69 [.027]	4.70 [.185]
** -12	13.99 [.551]	0.08 [.003]	3.92 [.154]	7.93 [.312]	11.93 [.469]	15.93 [.627]	19.93 [.784]	0.85 [.033]	4.83 [.190]

(** = NOT ENGINEERING APPROVED)

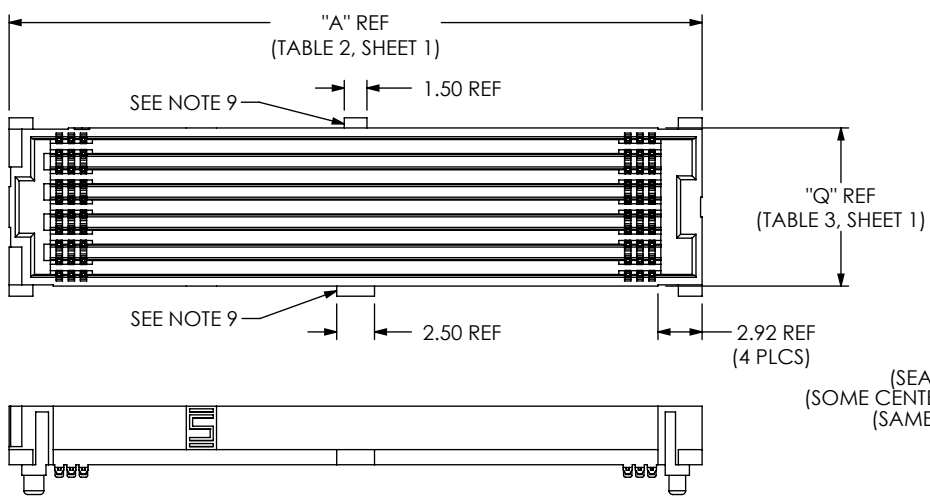



FIG 3
(SEAF8-50-05.0-X-10-X-K SHOWN)
(SOME CENTER FEATURES REMOVED FOR CLARITY)
(SAME AS FIG 1, EXCEPT AS SHOWN)

TABLE 5

-No. OF ROWS	K-DOT #	"S"
-04	K-DOT-.217-.313-.005	0.13 [.005]
-06	K-DOT-.295-.406-.005	0.13 [.005]
-08	K-DOT-.354-.469-.005	0.13 [.005]
-10	K-DOT-.460-.550-.005	0.13 [.005]
** -12	K-DOT-.551-625-.010	0.25 [.010]

(** = NOT ENGINEERING APPROVED)

<p>PROPRIETARY NOTE</p> <p>THIS DOCUMENT CONTAINS CONFIDENTIAL AND PROPRIETARY INFORMATION AND ALL DESIGN, MANUFACTURING, REPRODUCTION, USE, PATENT RIGHTS AND SALES RIGHTS ARE EXPRESSLY RESERVED BY SAMTEC, INC. THIS DOCUMENT SHALL NOT BE DISCLOSED, IN WHOLE OR PART, TO ANY UNAUTHORIZED PERSON OR ENTITY NOR REPRODUCED, TRANSFERRED OR INCORPORATED IN ANY OTHER PROJECT IN ANY MANNER WITHOUT THE EXPRESS WRITTEN CONSENT OF SAMTEC, INC.</p> <p>DO NOT SCALE DRAWING</p> <p>SHEET SCALE: 2:1</p>	
	<p>520 PARK EAST BLVD, NEW ALBANY, IN 47150 PHONE: 812-944-6733 FAX: 812-948-5047 e-Mail info@SAMTEC.com code 55322</p>
	<p>DESCRIPTION: 0.8MM PITCH SOCKET ARRAY ASSY</p>
	<p>DWG. NO. SEAF8-XX-05.0-X-XX-X-K</p>
<p>BY: M MURILLO 01/09/09 SHEET 3 OF 3</p>	