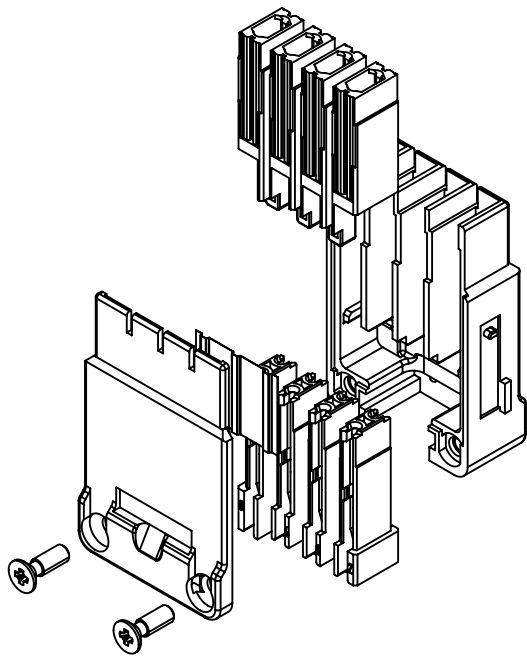


wiring acc. EIA/TIA 568A  
view from termination side


green	2•	•1	white/green
orange	6•	•3	white/orange
blue	4•	•5	white/blue
brown	8•	•7	white/brown

wiring acc. EIA/TIA 568B  
view from termination side

orange	2•	•1	white/orange
green	6•	•3	white/green
blue	4•	•5	white/blue
brown	8•	•7	white/brown



Female contact		
Part number	Wire gauge	
	mm <sup>2</sup>	AWG
09930005476	0,13-0,33mm <sup>2</sup>	22-26
09930007476	0,09-0,25mm <sup>2</sup>	24-28
09930008476	0,25-0,52mm <sup>2</sup>	20-24

	All rights reserved Department EL PD - DE	All Dimensions in mm Original Size DIN A4		Scale 2:1	Free size tol.		Ref. Sub.	
		Created by OLFERTM	Inspected by RIEPE	Standardisation RUETERA	Date 2018-05-14	State Final Release		
HARTING Electric GmbH & Co. KG D-32339 Espelkamp			Title Han Gigabit insert F, Cat. 7				Doc-Key / ECM-Nr. 100705923/UGD/000/C 500000134991	
Type TB		Number 09 14 008 3131			Rev. C	Page 1/1		