

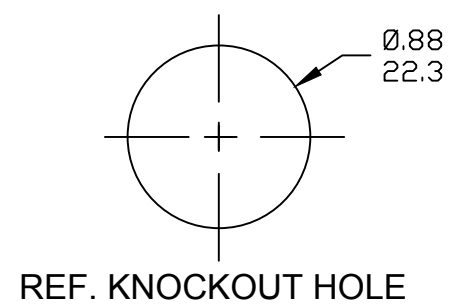
PART NUMBER LEGEND

2R7006A20M010

POLES 6-8

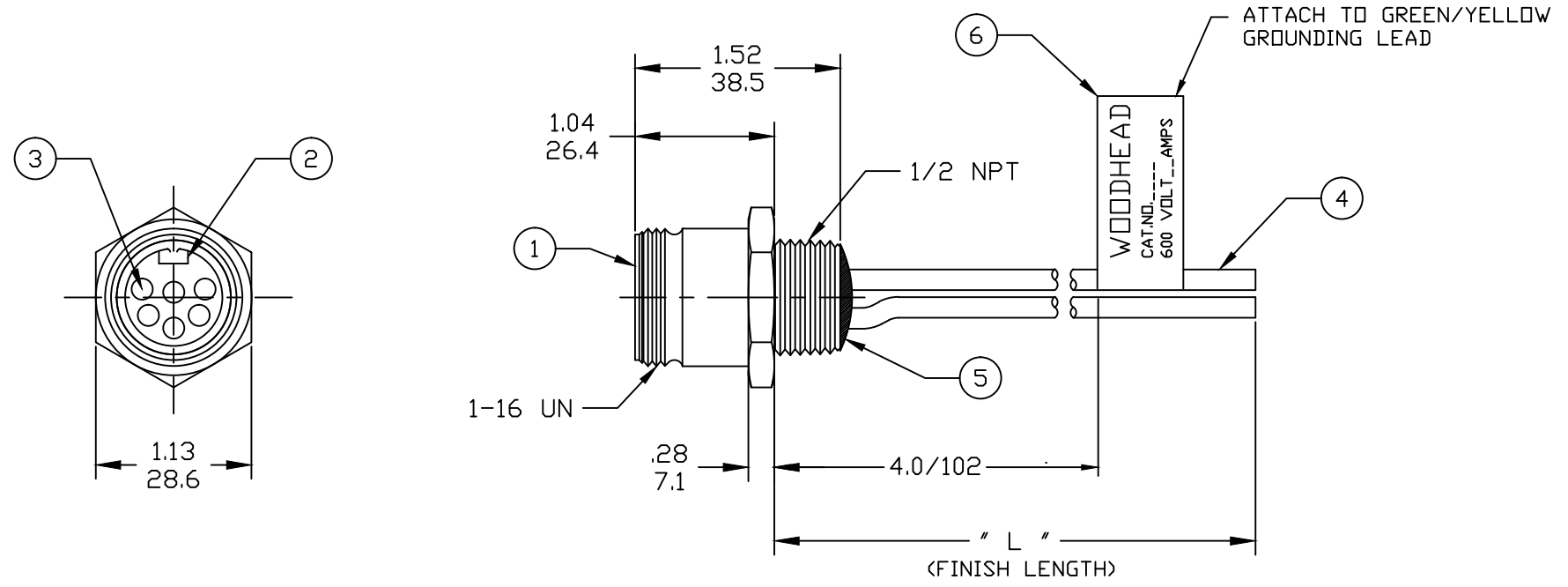
FINISHED LENGTH:
 A120= 12 IN.
 F020= 2 FEET
 F100= 10 FEET

M005= 0.5 METER
 M010= 1 METER
 M100= 10 METER



NOTES:

- MATERIAL: AS NOTED
- FINISH: AS NOTED
- ELECTRICAL:
 VOLTAGE: 6 THRU 8P 600V PER UL 2238
 6P 320V PER IEC 60664
 7 & 8P 250V PER IEC 60664
 CURRENT: 6 & 7 POLE: 8A
 8 POLE: 7A
- TEMP RATING: -20°TO +105°C
- PROTECTION: IP67 (WHEN MATED)
- ALL DIMS ARE FOR REFERENCE UNLESS OTHERWISE NOTED



ITEM	COMPONENT	MATERIAL	FINISH
6	LABEL	VINYL	BLACK/YELLOW
5	POTTING	EPOXY	
4	WIRE, 16 AWG, UL 1015	PVC INSUL.	SEE FACE VIEW
3	CONTACT PIN	Cu ALLOY	GOLD PLATED
2	INSERT	PVC	YELLOW
1	RECEPTACLE SHELL	ZINC DIE-CAST	BLACK E-COAT

EC NO: IPG2017-0559 DRWN: RSTONE 2016/12/07 CHKD: M ZIELIN 2016/12/12 APPR: BWOODMAN 2017/01/16	REV DESCRIPTION	QUALITY SYMBOLS ▽=0 ▽C=0	GENERAL TOLERANCES (UNLESS SPECIFIED)		DIMENSION STYLE INCH/MM		SCALE ---	DESIGN UNITS INCH	THIRD ANGLE PROJECTION	
				mm	INCH	DRAWN BY DATE	MINI-CHANGE RECEPTACLE MALE 6 TO 8 POLE 16 AWG			
				4 PLACES ±---	±---	RSTONE 2016/12/07				
				3 PLACES ±---	±---	CHECKED BY DATE	MOLEX INCORPORATED			
			2 PLACES ±---	±---	M ZIELIN 2016/12/12					
			1 PLACE ±---	±---	APPROVED BY DATE	SD-130014-010				
			ANGULAR ±1/2°		BWOODMAN 2017/01/16					
			DRAFT WHERE APPLICABLE MUST REMAIN WITHIN DIMENSIONS		MATERIAL NO. ---	DOCUMENT NO.		SHEET NO.		
					THIS DRAWING CONTAINS INFORMATION THAT IS PROPRIETARY TO MOLEX INCORPORATED AND SHOULD NOT BE USED WITHOUT WRITTEN PERMISSION		1 OF 1			