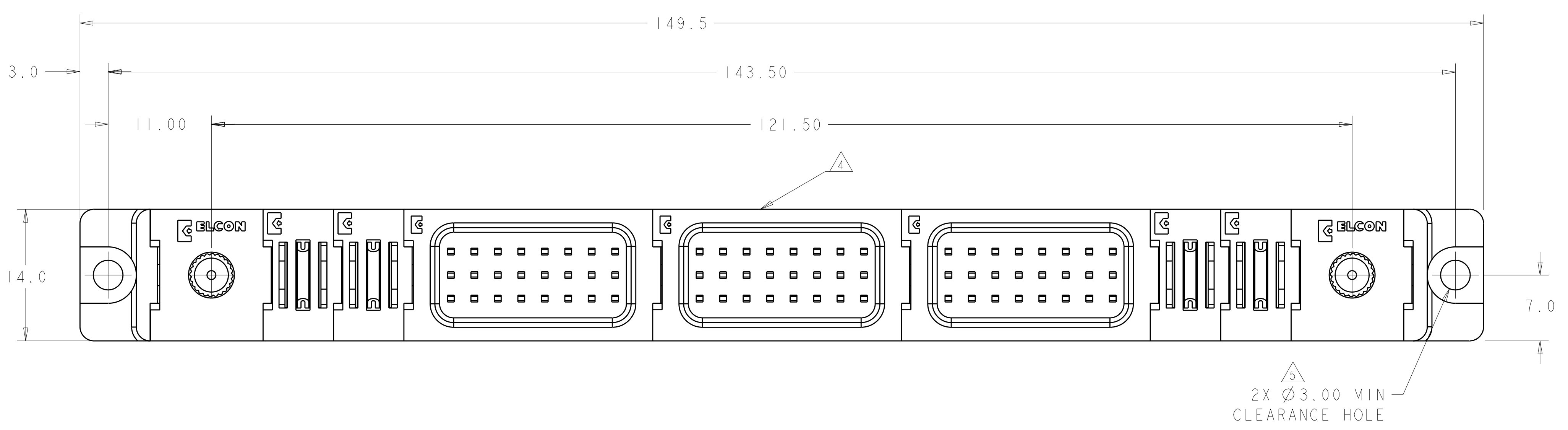
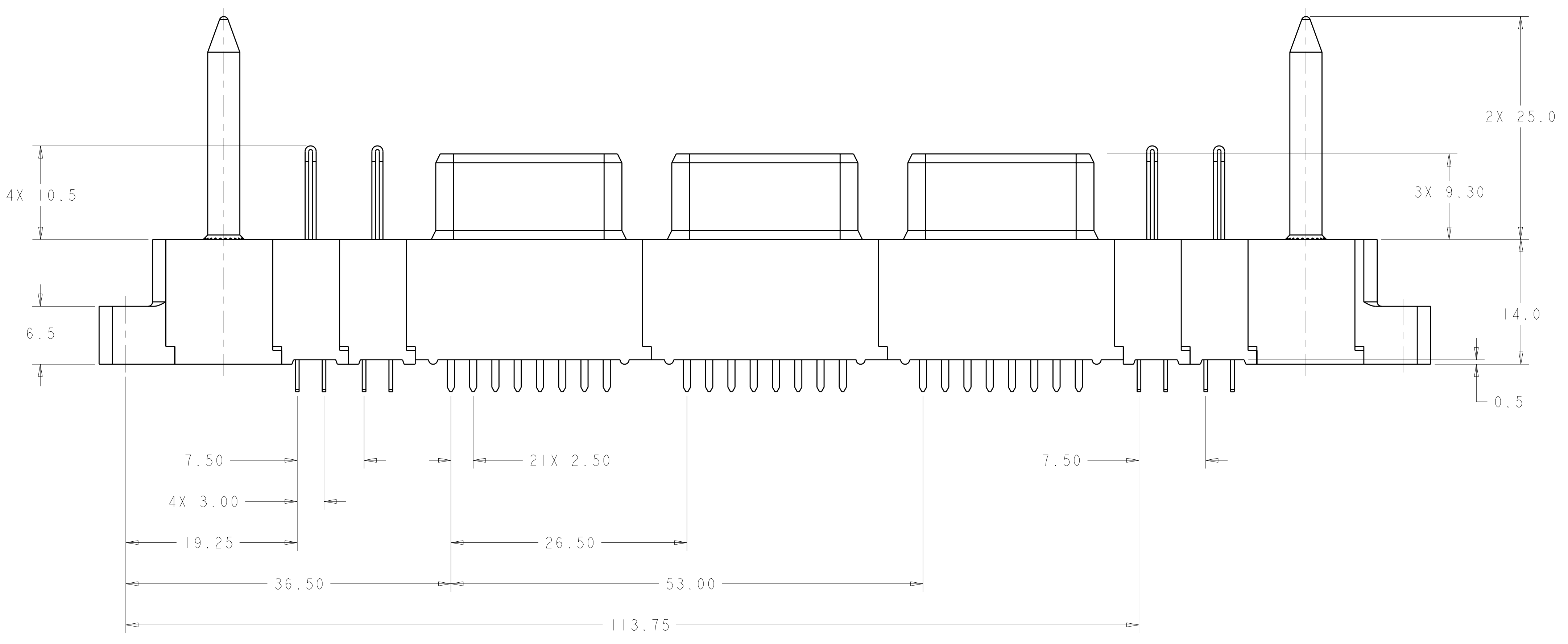


LOC	DIST	REVISIONS			
P	LTR	DESCRIPTION	DATE	DWN	APVD
A		RELEASED PER ECO-09-019917	02SEP2009	RG	MS
A1		REV PER ECO-09-021027	14SEP2009	RG	MS



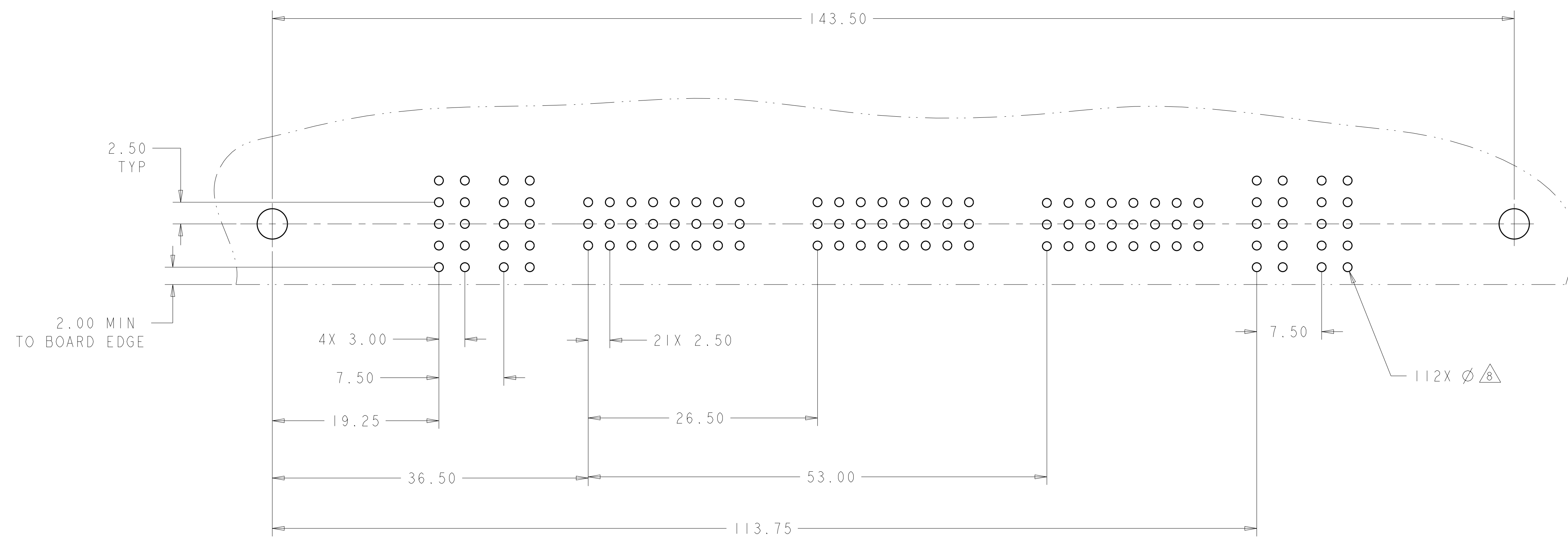
- PART NUMBER CHANGES AND OR DESIGN CHANGES AFFECTING ITEM INTERCHANGEABILITY REQUIRE PRIOR TYCO APPROVAL AND AUTHORIZATION BY REVISION TO THIS DRAWING.
 - MATERIAL:
 - INSULATORS - THERMOPLASTIC, GLASS REINFORCED, COLOR: BLACK
 - UL94V-0 FLAMMABILITY RATED.
 - POWER CONTACTS - PHOSPHOR BRONZE ALLOY, COPPER ALLOY
 - CROWN BAND - BERYLLIUM COPPER ALLOY
 - SIGNAL CONTACTS - BERYLLIUM COPPER ALLOY
 - GUIDE PIN - BRASS ALLOY
 - FINISH:
 - CONTACTS - GOLD PLATE .76µm MIN. THK., OVER NICKEL 1.27µm MIN. THK.
 - SOLDER TAILS - TIN 3.05 MIN. THK. OVER NICKEL 1.27µm MIN THK.
 - GUIDE PIN - NICKEL PLATE 1.27µm MIN THK.
- △ ITEMS PROVIDED TO THIS SPECIFICATION TO BE PERMANENTLY IDENTIFIED PER THE FOLLOWING IDENTIFIER LABEL

TYCO ELECTRONICS PART NO.	DATE CODE (e.g. 0106)
XXXXXXXX-X	XXXX
- △ MOUNTING FLANGES ACCEPT #6 SCREWS. (USER SUPPLIED)



DIMENSIONS:		TOLERANCES UNLESS OTHERWISE SPECIFIED:		DWN C. ROHER 29JAN2009		AS SHOWN		2085124-1	
mm		0 PLC ±.5		CHK P. DAMATO 29JAN2009		DESCRIPTION		PART NUMBER	
		1 PLC ±0.5		APVD P. DAMATO 29JAN2009		Tyco Electronics Harrisburg, PA 17105-3608		NAME	
		2 PLC ±0.25		PRODUCT SPEC		SOCKET CONNECTOR STRAIGHT, SOLDER TAILS FLATPAQ		RESTRICTED TO	
		3 PLC ±.5		APPLICATION SPEC		SIZE CAGE CODE DRAWING NO		A 100779 C=2085124	
		4 PLC ±.5		WEIGHT		SCALE 3:1		SHEET 1 OF 3	
		ANGLES ±.3		CUSTOMER DRAWING		REV		A1	

LOC	DIST	REVISIONS					
GP	00	P	LTR	DESCRIPTION	DATE	DWN	APVD
		-	-	SEE SHEET 1	-	-	-

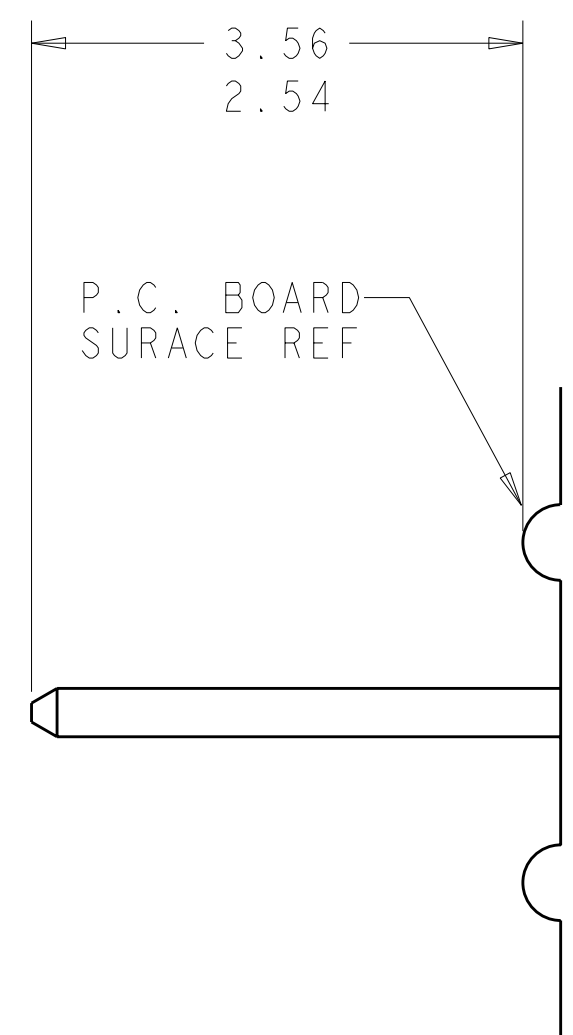


PRINTED CIRCUIT LAYOUT
 COMPONENT SIDE

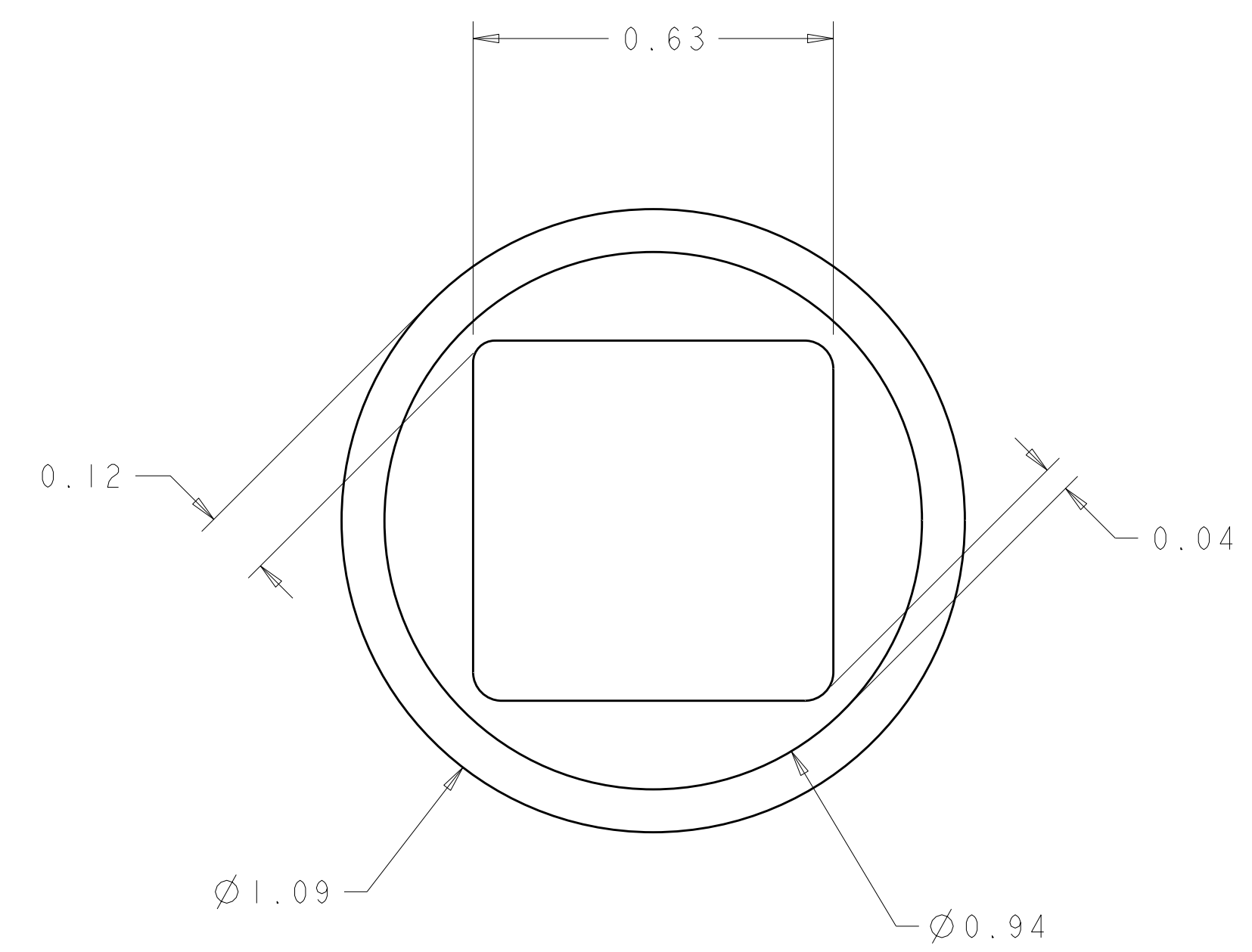
CONNECTOR	CATALOG MODULE #	QTY	SIZE NO.	CONTACT QTY	MATING PIN	MAX. CURRENT (PER CONTACT)	CONTACT SPACING	VOLTAGE RATING
SOCKET	FP318	3	22	72	.64 SQ.	3 amps	2.50	125 VOLTS
	FP161	4	8	4	1.25 X 7.00.	35 amps	7.50	250 VOLTS
	FP503	1	STRAIGHT GUIDE PIN					
	FP500	1	MOUNTING FLANGE, LEFT					
	FP501	1	MOUNTING FLANGE, RIGHT					

DIMENSIONS: mm 		TOLERANCES UNLESS OTHERWISE SPECIFIED: 9 PLC ±.5 1 PLC ±0.5 3 PLC ±0.25 5 PLC ±.5 4 PLC ±.5 ANGLES ±.3 FINISH -		DWN C. ROHER 29JAN2009 CHK P. DAMATO 29JAN2009 APVD P. DAMATO 29JAN2009		Tyco Electronics Harrisburg, PA 17105-3608	
MATERIAL - FINISH -		WEIGHT - CUSTOMER DRAWING		NAME PRODUCT SPEC APPLICATION SPEC		SIZE CAGE CODE DRAWING NO. RESTRICTED TO A 100779 C-2085124	
SCALE 3:1 SHEET 2 OF 3 REV A1				Tyco Electronics logo and name			

LOC	DIST	REVISIONS			
P	LTB	DESCRIPTION	DATE	DWN	APVD
GP	00	SEE SHEET 1	-	-	-



7. SOLDER PIN DETAIL
SCALE 10 : 1



△ SOLDER TERMINATION AREA
 SCALE 40:1
 RECOMMENDED PRINTED CIRCUIT SOLDER HOLE
 FINISHED HOLE: Ø1.02 ±.08
 DRILLED HOLE: Ø1.15 ±.013
 COPPER PLATE: .025 MIN
 TIN PLATE: .008 MIN. (PER SURFACE)

<small>THIS DRAWING IS UNPUBLISHED. RELEASED FOR PUBLICATION 20 © COPYRIGHT 20 BY TYCO ELECTRONICS CORPORATION, ALL RIGHTS RESERVED.</small>		DWN C. ROHER 29JAN2009 CHK P. DAMATO 29JAN2009 APVD P. DAMATO 29JAN2009	Tyco Electronics Harrisburg, PA 17105-3608
DIMENSIONS: mm 		TOLERANCES UNLESS OTHERWISE SPECIFIED: 0 PLC ± 1 PLC ±0.5 2 PLC ±0.25 3 PLC ± 4 PLC ± ANGLES ±.3 FINISH	NAME PRODUCT SPEC APPLICATION SPEC WEIGHT CUSTOMER DRAWING
MATERIAL FINISH		SIZE CAGE CODE DRAWING NO A100779C-2085124	RESTRICTED TO SCALE 3:1 SHEET 3 OF 3 REV A1