

## Memory FRAM

# 128K (16 K × 8) Bit SPI

## MB85RS128A

### ■ DESCRIPTION

MB85RS128A is a FRAM (Ferroelectric Random Access Memory) chip in a configuration of 16,384 words × 8 bits, using the ferroelectric process and silicon gate CMOS process technologies for forming the nonvolatile memory cells.

MB85RS128A adopts the Serial Peripheral Interface (SPI).

The MB85RS128A is able to retain data without using a back-up battery, as is needed for SRAM.

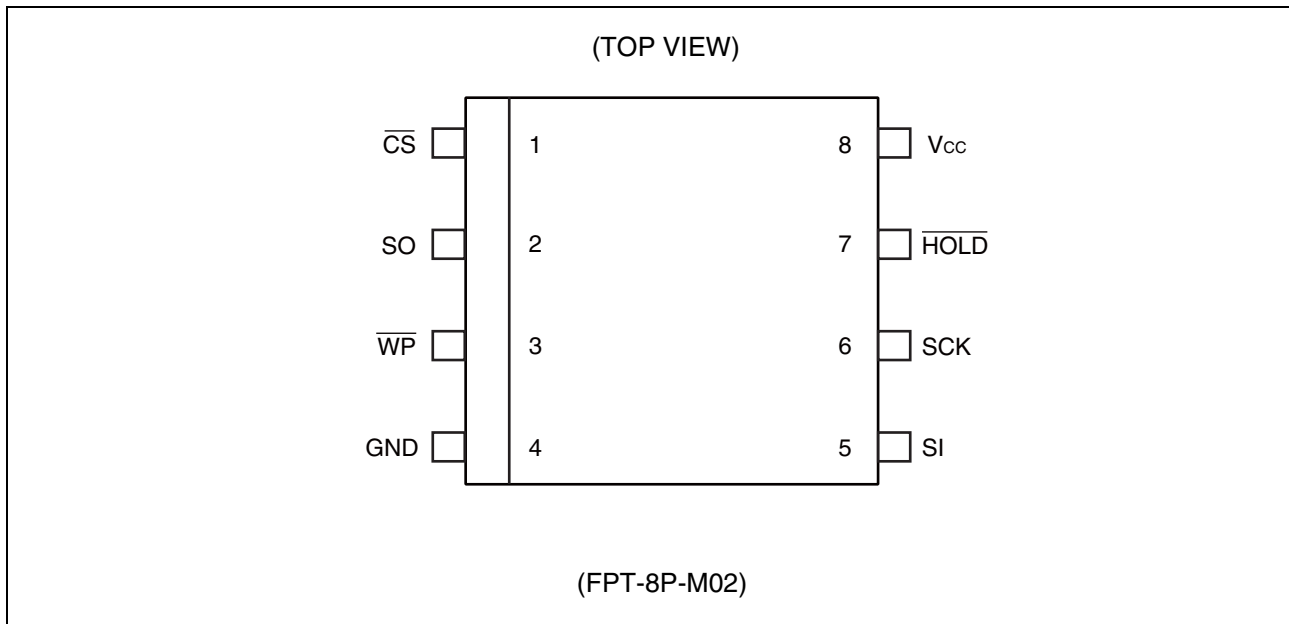
The memory cells used in the MB85RS128A can be used for  $10^{10}$  read/write operations, which is a significant improvement over the number of read and write operations supported by Flash memory and E<sup>2</sup>PROM.

MB85RS128A does not take long time to write data unlike Flash memories nor E<sup>2</sup>PROM, and MB85RS128A takes no wait time.

### ■ FEATURES

- Bit configuration : 16,384 words × 8 bits
- Operating power supply voltage : 3.0 V to 3.6 V
- Operating frequency : 25 MHz (Max)
- Serial Peripheral Interface : SPI (Serial Peripheral Interface)  
Correspondent to SPI mode 0 (0, 0) and mode 3 (1, 1)
- Operating temperature range : -40 °C to +85 °C
- Data retention : 10 years (+55 °C)
- High endurance : 10 Billion Read/writes
- Package : 8-pin plastic SOP (FPT-8P-M02)

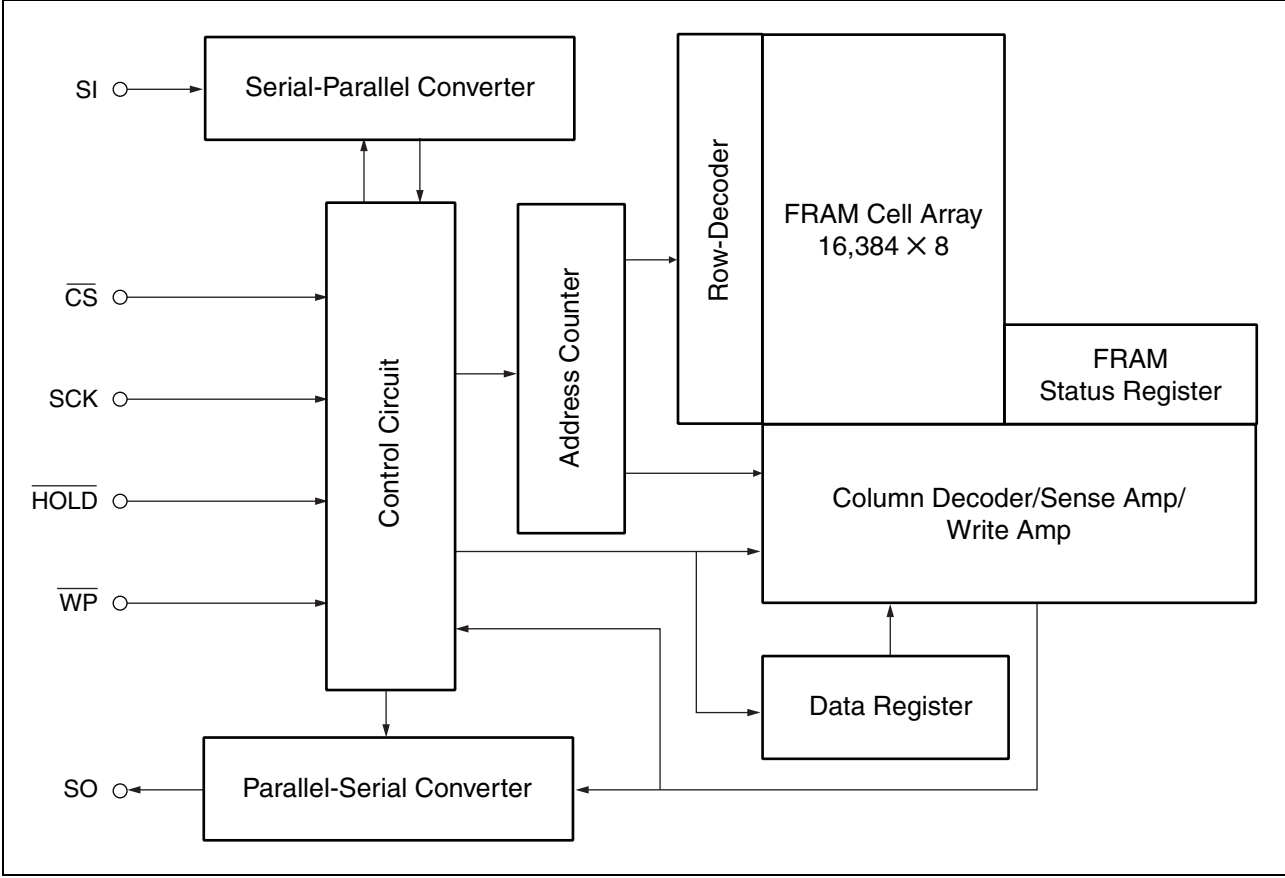
## ■ PIN ASSIGNMENT



## ■ PIN FUNCTIONAL DESCRIPTIONS

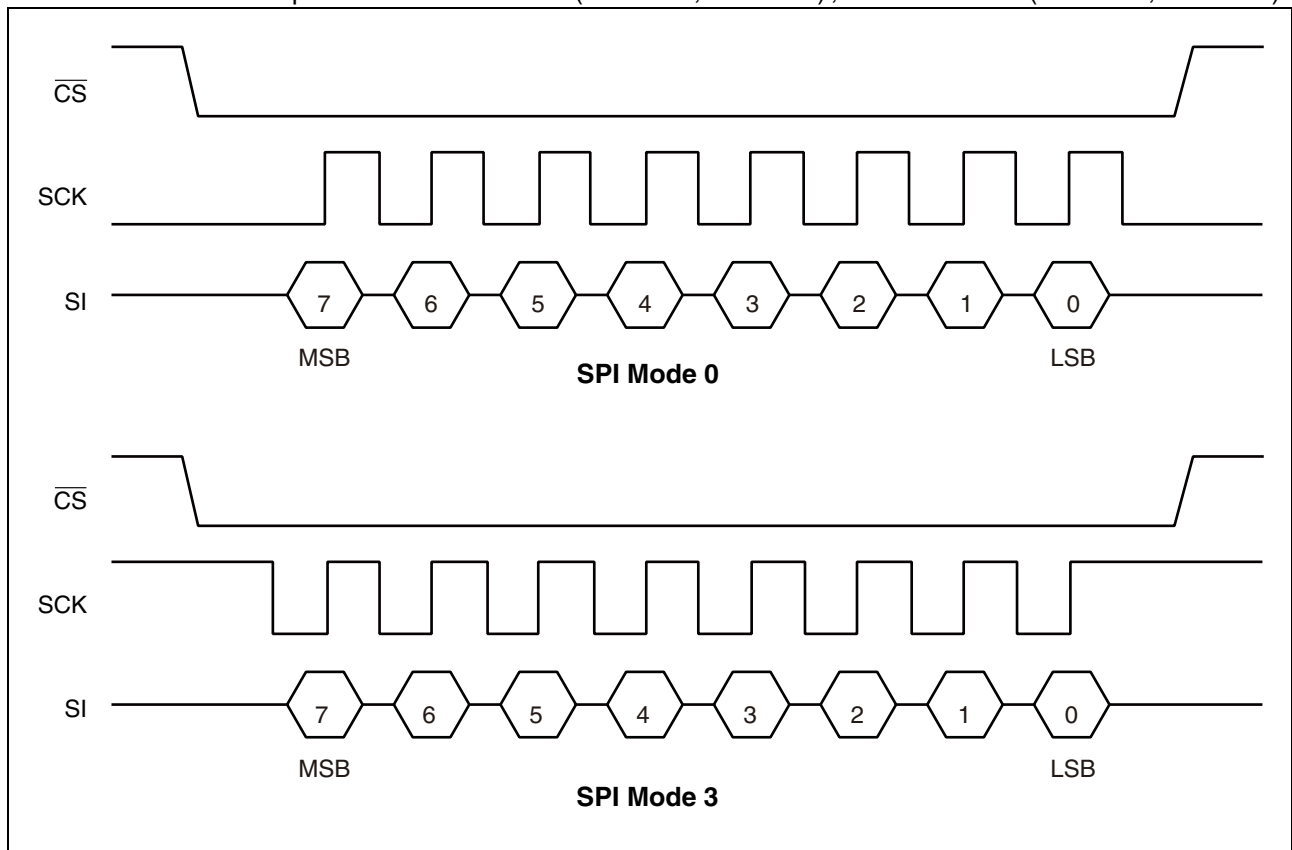
Pin No.	Pin Name	Functional description
1	$\overline{CS}$	Chip Select This is an input pin to make chips select. When $\overline{CS}$ is "H", device is in deselect (standby) status as long as device is not write status internally, and SO becomes High-Z. Other inputs from pins are ignored for this time. When $\overline{CS}$ is "L", device is in select (active) status. $\overline{CS}$ has to be "L" before inputting op-code.
3	$\overline{WP}$	Write Protect This is a pin to control writing to a status register. When $\overline{WP}$ is "L", writing to a status register is not operated.
7	$\overline{HOLD}$	Hold This pin is used to interrupt serial input/output without making chips deselect. When $\overline{HOLD}$ is "L", hold operation is activated, SO becomes High-Z, SCK and SI become don't care. While the hold operation, $\overline{CS}$ has to be retained "L".
6	SCK	Serial Clock This is a clock input pin to input/output serial data. SI is loaded synchronously to a rising edge, SO is output synchronously to a falling edge.
5	SI	Serial Data Input This is an input pin of serial data. This inputs op-code, address, and writing data.
2	SO	Serial Data Output This is an output pin of serial data. Reading data of FRAM memory cell array and status register data are output. This is High-Z during standby.
8	V <sub>CC</sub>	Supply Voltage
4	GND	Ground

■ BLOCK DIAGRAM



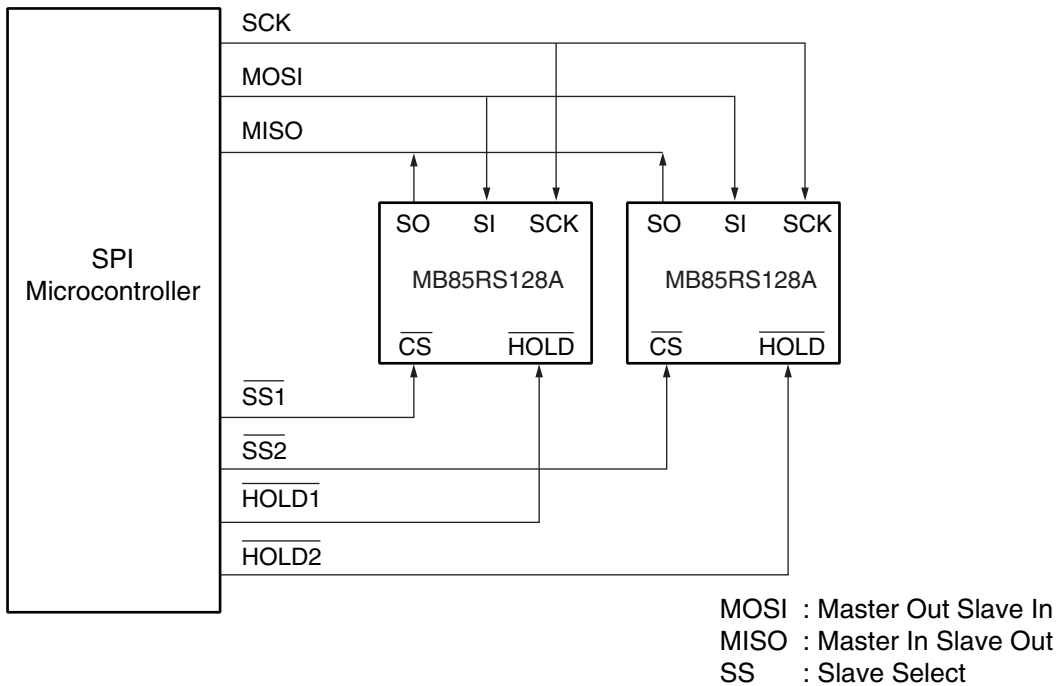
## ■ SPI MODE

MB85RS128A corresponds to the SPI mode 0 (CPOL = 0, CPHA = 0), and SPI mode 3 (CPOL = 1, CPHA = 1).

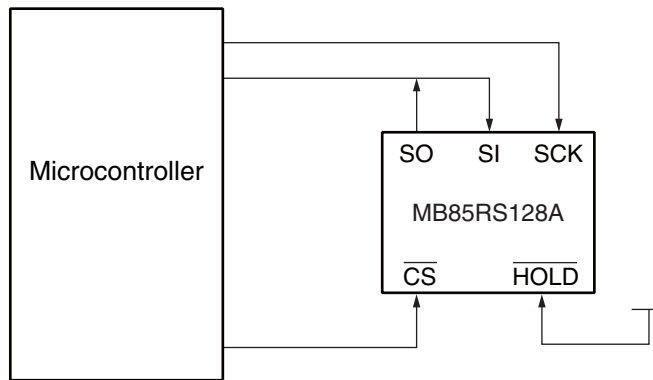


■ SERIAL PERIPHERAL INTERFACE (SPI)

MB85RS128A works as a slave of SPI. More than 2 devices can be connected by using microcontroller equipped with SPI port. By using a microcontroller not equipped with SPI port, SI and SO can be bus connected to use.



System Configuration with SPI Port



System Configuration without SPI Port

## ■ STATUS REGISTER

Bit No.	Bit Name	Function
7	WPEN	Status Register Write Protect This is a bit composed of nonvolatile memories (FRAM). WPEN is related to $\overline{WP}$ input to protect writing to a status register (refer to “■ WRITING PROTECT”). Writing with the WRSR command and reading with the RDSR command are possible.
6 to 4	—	Not Used Bits These are bits composed of nonvolatile memories, writing with the WRSR command is possible, and “000” is written before shipment. These bits are not used but they are read with the RDSR command.
3	BP1	Block Protect This is a bit composed of nonvolatile memory (FRAM). This defines block size for writing protect with the WRITE command (refer to “■ BLOCK PROTECT”). Writing with the WRSR command and reading with the RDSR command are possible.
2	BP0	
1	WEL	Write Enable Latch This indicates FRAM memory and status register are writable. The WREN command is for setting, and the WRDI command is for resetting. With the RDSR command, reading is possible but writing is not possible with the WRSR command. WEL is reset after the following operations. <ul style="list-style-type: none"> <li>The time when power is up.</li> <li>The time when the WRDI command is input.</li> <li>The time when the WRSR command is input.</li> <li>The time when the WRITE command is input.</li> </ul>
0	0	This is a bit fixed to “0”.

## ■ OP-CODE

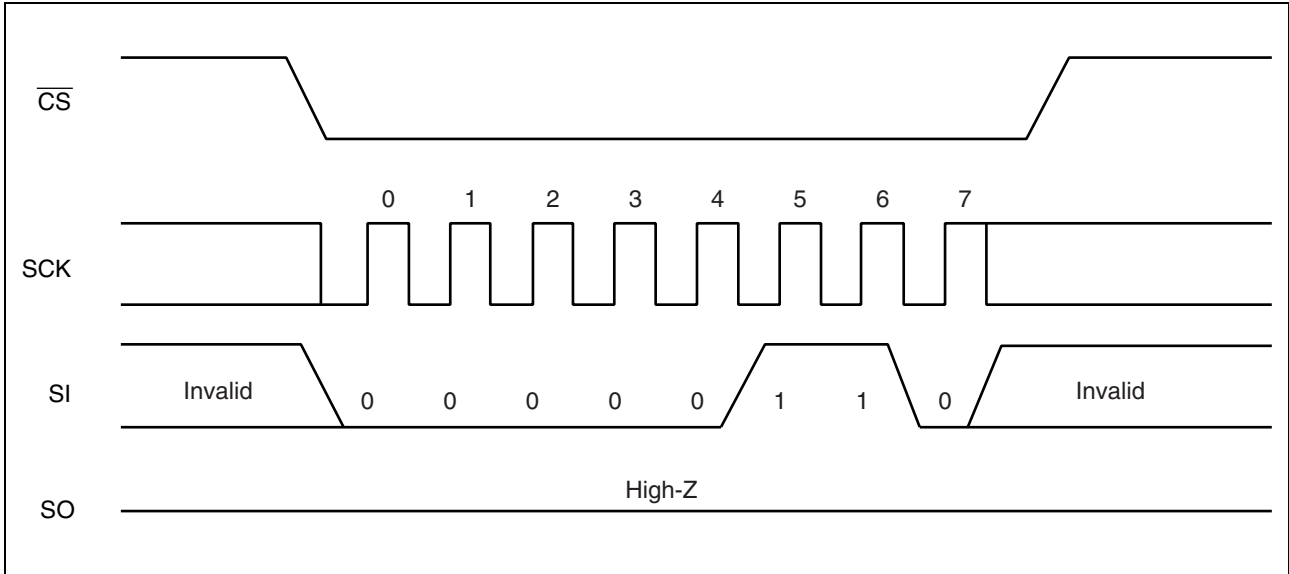
MB85RS128A accepts 6 kinds of command specified in op-code. Op-code is a code composed of 8 bits shown in the table below. Do not input invalid codes other than those codes. If  $\overline{CS}$  is risen while inputting op-code, the command are not performed.

Name	Description	Op-code
WREN	Set Write Enable Latch	0000 0110 <sub>B</sub>
WRDI	Reset Write Enable Latch	0000 0100 <sub>B</sub>
RDSR	Read Status Register	0000 0101 <sub>B</sub>
WRSR	Write Status Register	0000 0001 <sub>B</sub>
READ	Read Memory Code	0000 0011 <sub>B</sub>
WRITE	Write Memory Code	0000 0010 <sub>B</sub>

■ COMMAND

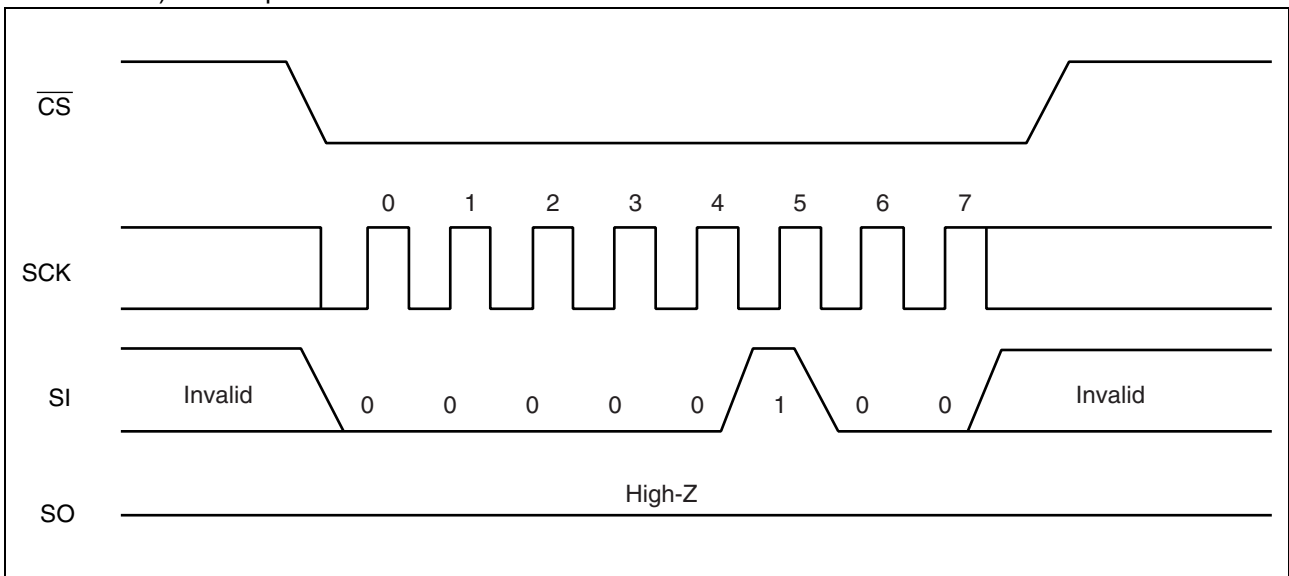
• WREN

The WREN command sets WEL (Write Enable Latch) . WEL has to be set with the WREN command before writing operation (WRSR command and WRITE command) .



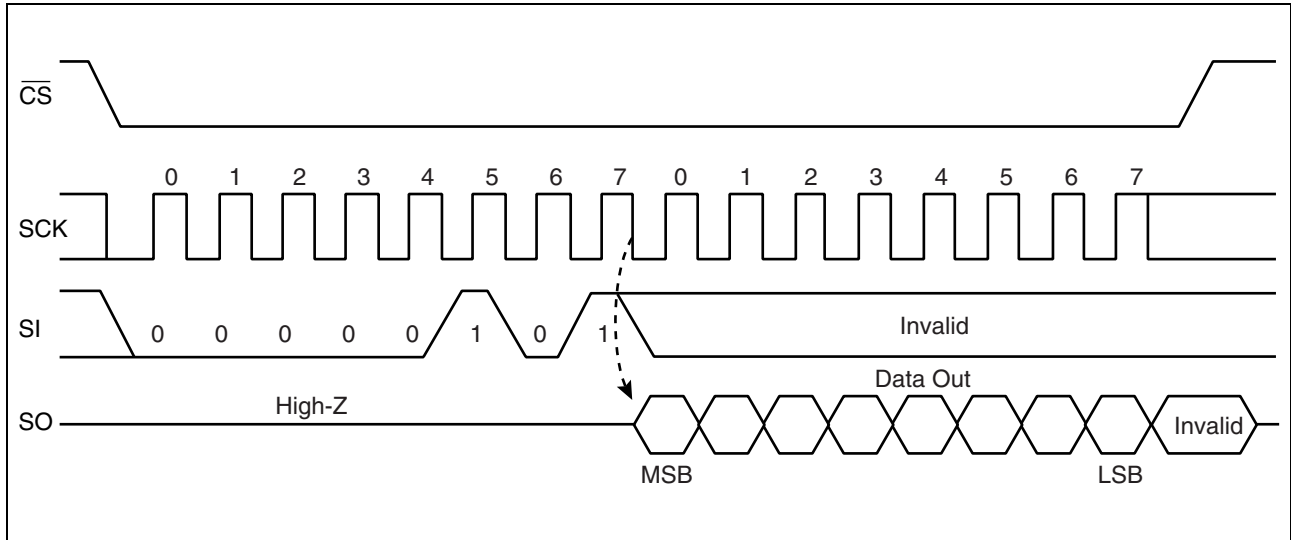
• WRDI

The WRDI command resets WEL (Write Enable Latch) . Writing operation (WRITE command and WRSR command) are not performed when WEL is reset.



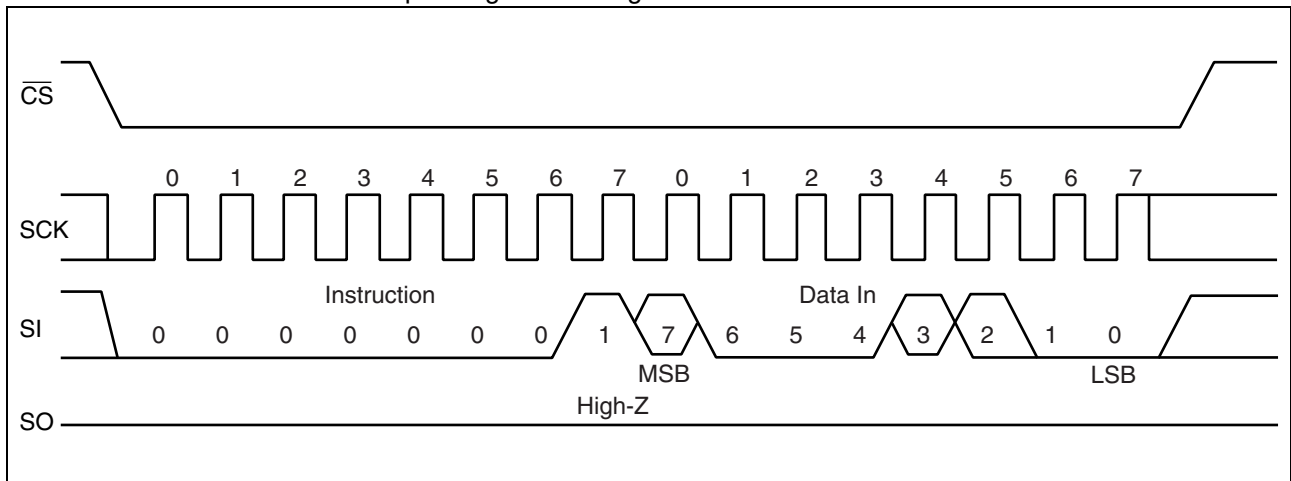
• RDSR

The RDSR command reads status register data. After op-code of RDSR is input to SI, 8-cycle clock is input to SCK. The SI value is invalid for this time. SO is output synchronously to a falling edge of SCK. Continuously reading status register is enabled by keep on sending SCK before rising  $\overline{CS}$  with the RDSR command.



• WRSR

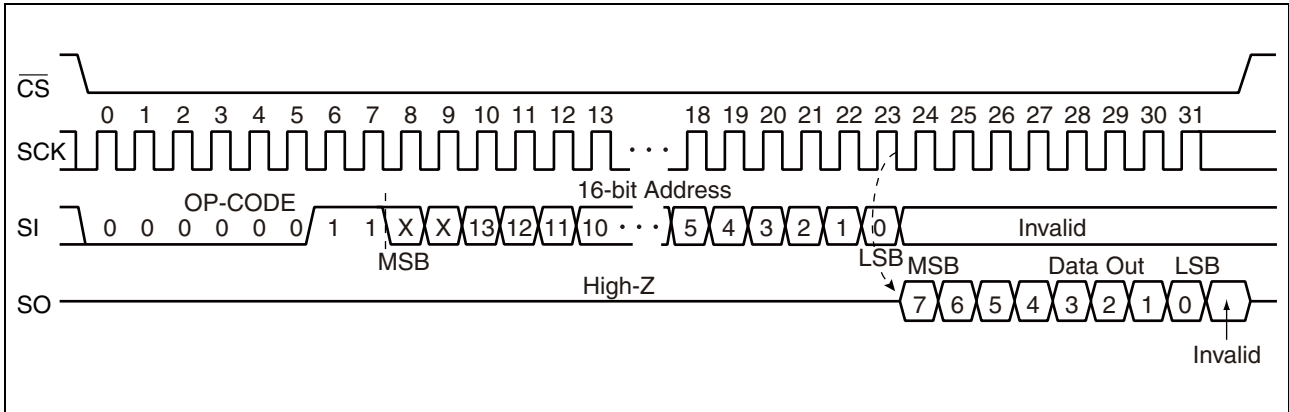
The WRSR command writes data to the nonvolatile memory bit of status register. After performing WRSR op-code to a SI pin, 8 bits writing data is input. WEL (Write Enable Latch) is not able to be written with WRSR command. a SI value correspondent to bit 1 is ignored. Bit 0 of the status register is fixed to "0" and cannot be written. The SI value corresponding to bit 0 is ignored.





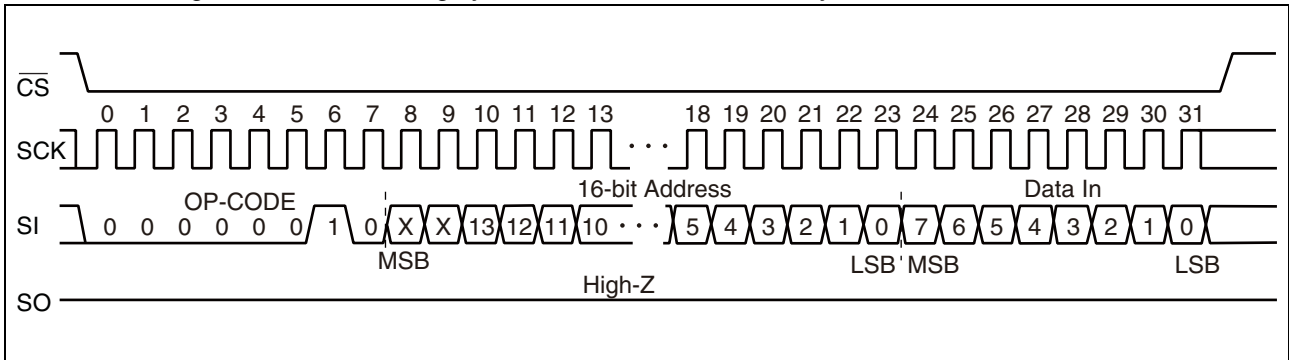
• READ

The READ command reads FRAM memory cell array data. Arbitrary 16 bits address and op-code of READ are input to SI. The most significant address bit is invalid. Then, 8-cycle clock is input to SCK. SO is output synchronously to the falling edge of SCK. While reading, the SI value is invalid. When  $\overline{CS}$  is risen, the READ command is completed, but keep on reading address with automatic increment is enabled by continuously sending clock for 8 cycles each to SCK before  $\overline{CS}$  is risen. When it reaches the most significant address, it rolls over to come back to the starting address, and reading cycle keeps on infinitely.



• WRITE

The WRITE command writes data to FRAM memory cell array. WRITE op-code, arbitrary 16 bits of address and 8 bits of writing data are input to SI. The most significant address bit is invalid. When 8 bits of writing data is input, data is written to FRAM memory cell array. Risen  $\overline{CS}$  will terminate the WRITE command, but if you continue sending the writing data for 8 bits each before  $\overline{CS}$  is risen, it is possible to continue writing with automatic address increment. When it reaches the most significant address, it rolls over, comes back to the starting address, and writing cycle can be continued infinitely.



■ BLOCK PROTECT

Writing protect block is configured by the WRITE command with BP1, BP0 value of the status register.

BP1	BP0	Protected Block
0	0	None
0	1	3000 <sub>H</sub> to 3FFF <sub>H</sub> (upper 1/4)
1	0	2000 <sub>H</sub> to 3FFF <sub>H</sub> (upper 1/2)
1	1	0000 <sub>H</sub> to 3FFF <sub>H</sub> (all)

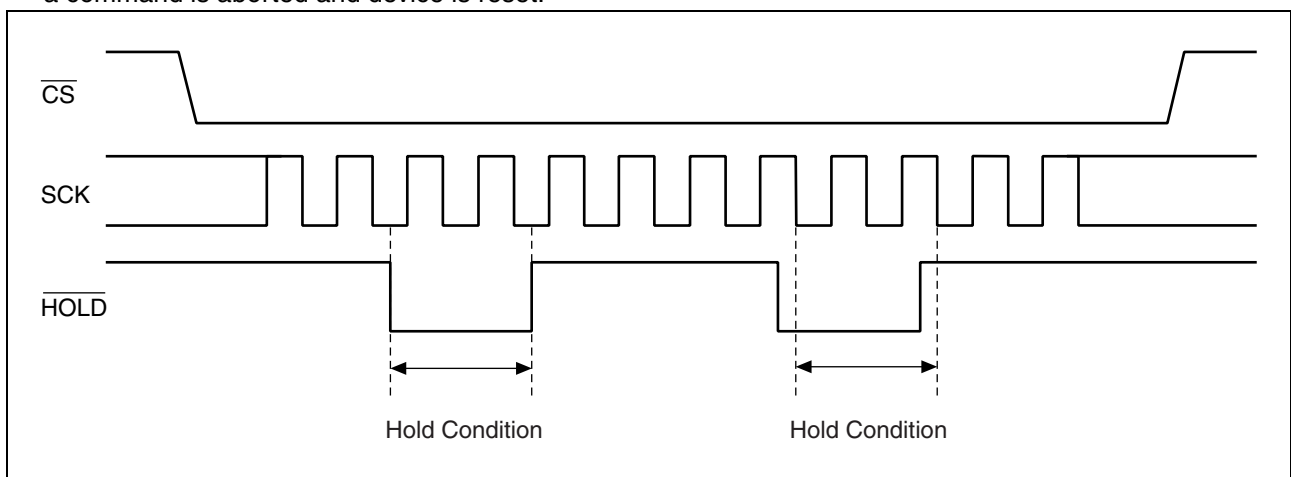
■ WRITING PROTECT

Writing operation of the WRITE command and the WRSR command are protected with the value of WEL, WPEN, WP as shown in the table.

WEL	WPEN	WP	Protected Blocks	Unprotected Blocks	Status Register
0	X	X	Protected	Protected	Protected
1	0	X	Protected	Unprotected	Unprotected
1	1	0	Protected	Unprotected	Protected
1	1	1	Protected	Unprotected	Unprotected

■ HOLD OPERATION

Hold status is retained without aborting a command if  $\overline{\text{HOLD}}$  is "L" while  $\overline{\text{CS}}$  is "L". The timing for starting and ending hold status depends on the SCK to be "H" or "L" when a  $\overline{\text{HOLD}}$  pin input is transited as shown in the diagram below. Arbitrary command operation is interrupted in hold status, SCK and SI inputs become don't care. And, SO becomes High-Z while reading command (RDSR, READ). If  $\overline{\text{CS}}$  is risen with hold status, a command is aborted and device is reset.



## ■ ABSOLUTE MAXIMUM RATINGS

Parameter	Symbol	Rating		Unit
		Min	Max	
Power supply voltage*	$V_{CC}$	- 0.5	+ 4.0	V
Input voltage*	$V_{IN}$	- 0.5	$V_{CC} + 0.5$	V
Output voltage*	$V_{OUT}$	- 0.5	$V_{CC} + 0.5$	V
Operating temperature	$T_A$	- 40	+ 85	°C
Storage temperature	$T_{stg}$	- 40	+ 125	°C

\*:These parameters are based on the condition that  $V_{SS}$  is 0 V.

WARNING: Semiconductor devices can be permanently damaged by application of stress (voltage, current, temperature, etc.) in excess of absolute maximum ratings. Do not exceed these ratings.

## ■ RECOMMENDED OPERATING CONDITIONS

Parameter	Symbol	Value			Unit
		Min	Typ	Max	
Power supply voltage*	$V_{CC}$	3.0	3.3	3.6	V
Input high voltage*	$V_{IH}$	$V_{CC} \times 0.8$	—	$V_{CC} + 0.5$	V
Input low voltage*	$V_{IL}$	- 0.5	—	+ 0.6	V
Operating temperature	$T_A$	- 40	—	+ 85	°C

\*:These parameters are based on the condition that  $V_{SS}$  is 0 V.

WARNING: The recommended operating conditions are required in order to ensure the normal operation of the semiconductor device. All of the device's electrical characteristics are warranted when the device is operated within these ranges.

Always use semiconductor devices within their recommended operating condition ranges. Operation outside these ranges may adversely affect reliability and could result in device failure.

No warranty is made with respect to uses, operating conditions, or combinations not represented on the data sheet. Users considering application outside the listed conditions are advised to contact their representatives beforehand.

## ■ ELECTRICAL CHARACTERISTICS

### 1. DC Characteristics

(within recommended operating conditions)

Parameter	Symbol	Condition	Value			Unit
			Min	Typ	Max	
Input leakage current	$I_{LI}$	$V_{IN} = 0\text{ V to }V_{CC}$	—	—	10	$\mu\text{A}$
Output leakage current	$I_{LO}$	$V_{OUT} = 0\text{ V to }V_{CC}$	—	—	10	$\mu\text{A}$
Operating power supply current	$I_{CC}$	$SCK = 25\text{ MHz}$	—	5	10	$\text{mA}$
Standby current	$I_{SB}$	All inputs $V_{SS}$ or $SCK = SI = \overline{CS} = V_{CC}$	—	3	50	$\mu\text{A}$
Output high voltage	$V_{OH}$	$I_{OH} = -2\text{ mA}$	$V_{CC} \times 0.8$	—	—	V
Output low voltage	$V_{OL}$	$I_{OL} = 2\text{ mA}$	—	—	0.4	V

## 2. AC Characteristics

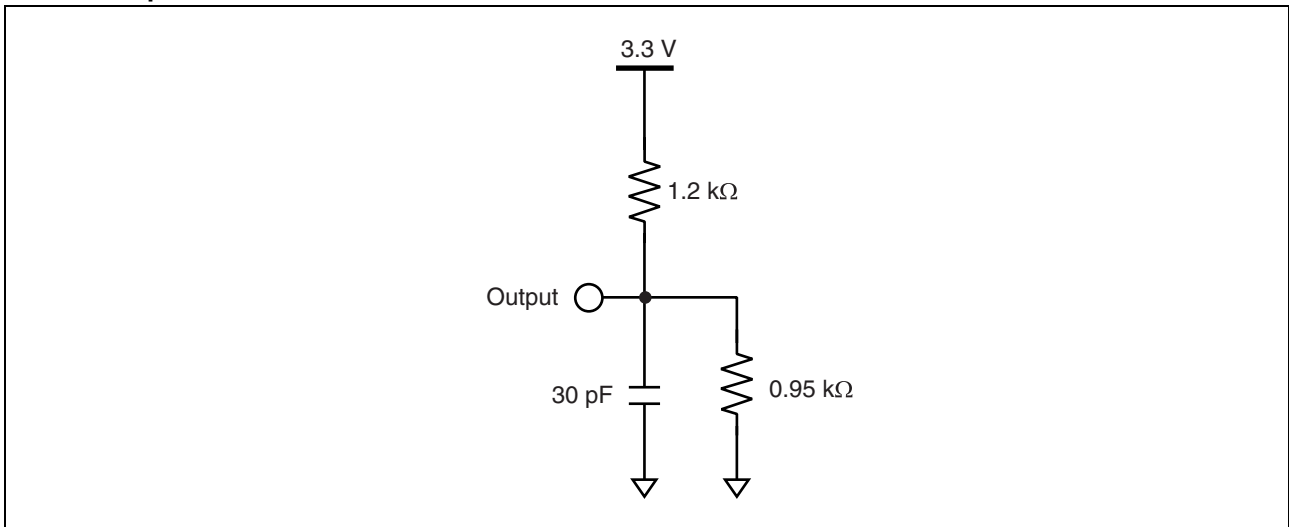
(within recommended operating conditions)

Parameter	Symbol	Value		Unit
		Min	Max	
SCK clock frequency	f <sub>CK</sub>	0	25	MHz
Clock high time	t <sub>CH</sub>	20	—	ns
Clock low time	t <sub>CL</sub>	20	—	ns
Chip select set up time	t <sub>CSU</sub>	10	—	ns
Chip select hold time	t <sub>CSH</sub>	10	—	ns
Output disable time	t <sub>OD</sub>	—	20	ns
Output data valid time	t <sub>ODV</sub>	—	18	ns
Output hold time	t <sub>OH</sub>	0	—	ns
Deselect time	t <sub>D</sub>	60	—	ns
Data in rise time	t <sub>R</sub>	—	50	ns
Data fall time	t <sub>F</sub>	—	50	ns
Data set up time	t <sub>SU</sub>	5	—	ns
Data hold time	t <sub>H</sub>	5	—	ns
$\overline{\text{HOLD}}$ set up time	t <sub>HS</sub>	10	—	ns
$\overline{\text{HOLD}}$ hold time	t <sub>HH</sub>	10	—	ns
$\overline{\text{HOLD}}$ output floating time	t <sub>HZ</sub>	—	20	ns
$\overline{\text{HOLD}}$ output active time	t <sub>LZ</sub>	—	20	ns

## AC Test Condition

Power supply voltage : 3.0 V to 3.6 V  
 Operation temperature : - 40 °C to + 85 °C  
 Input voltage magnitude : 0.3 V to 2.7 V  
 Input rising time : 5 ns  
 Input falling time : 5 ns  
 Input judge level : V<sub>CC</sub>/2  
 Output judge level : V<sub>CC</sub>/2

AC Load Equivalent Circuit

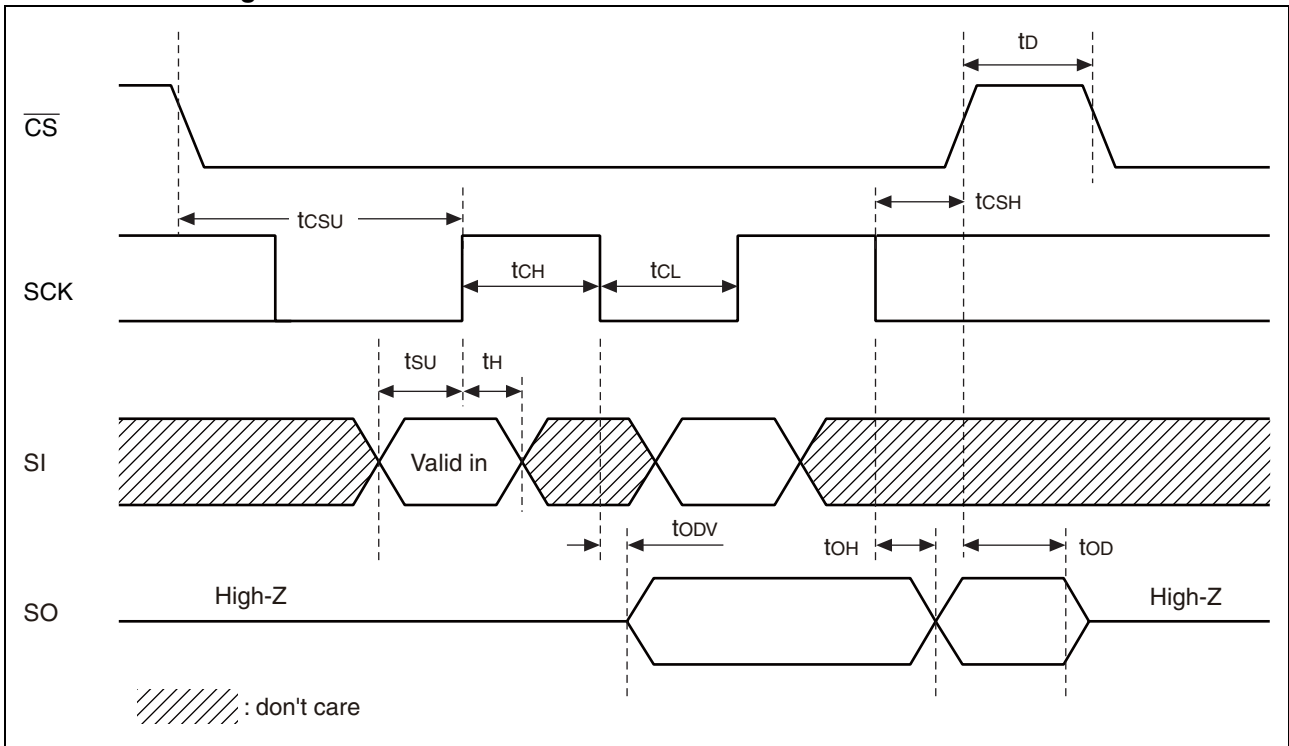


3. Pin Capacitance

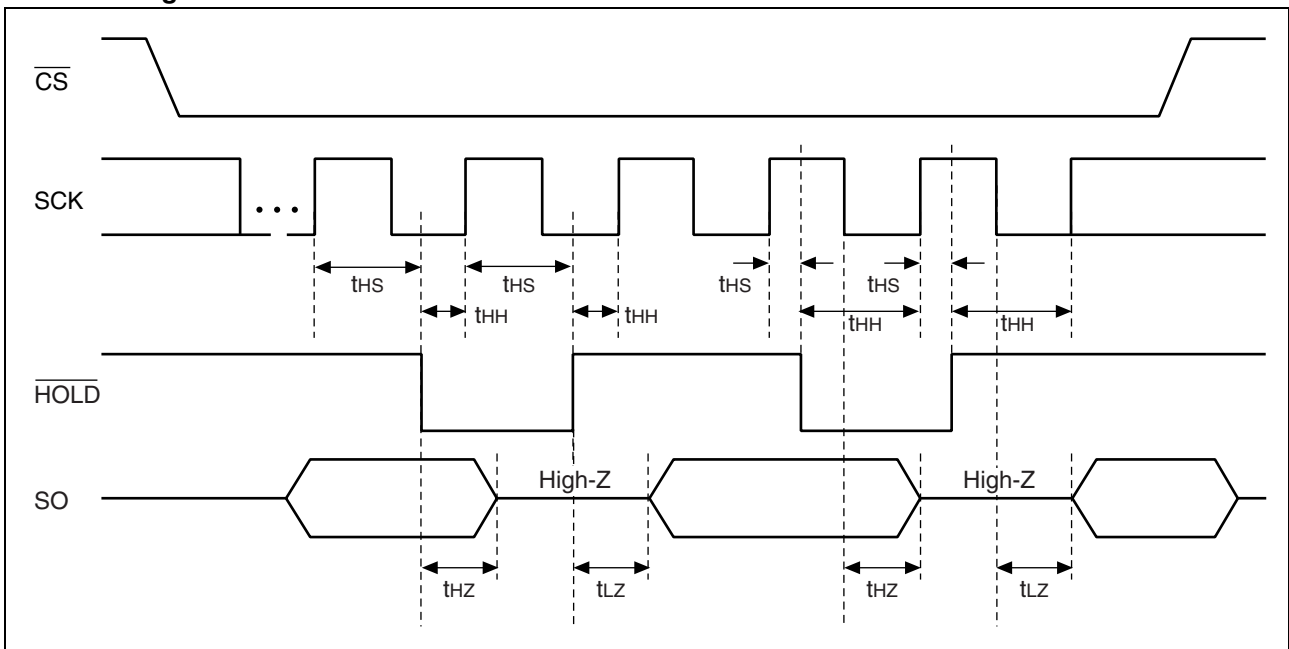
Parameter	Symbol	Value		Unit
		Min	Max	
Output capacitance	$C_o$	—	10	pF
Input capacitance	$C_i$	—	10	pF

■ TIMING DIAGRAM

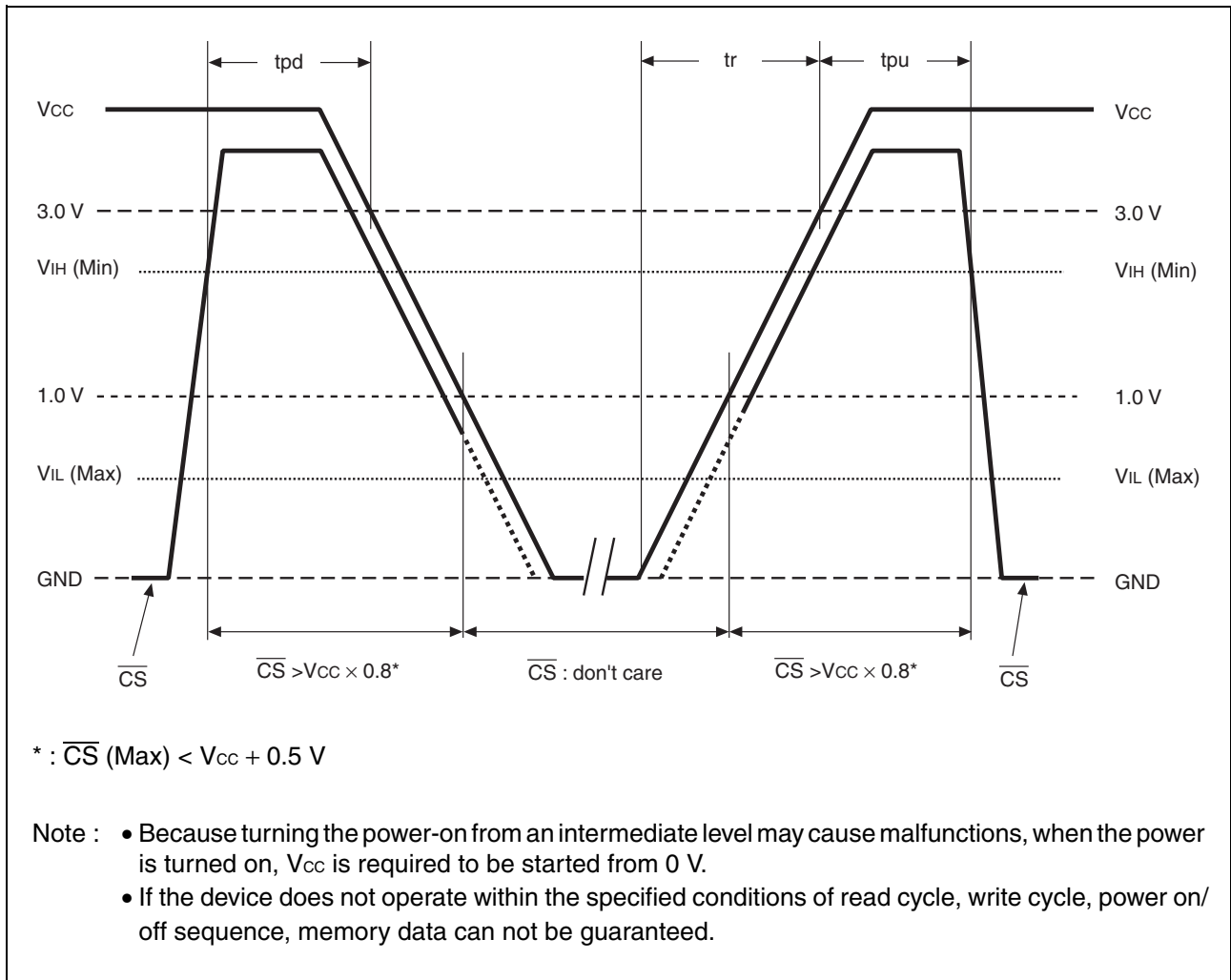
• Serial Data Timing



• Hold Timing



■ POWER ON/OFF SEQUENCE



Parameter	Symbol	Value		Unit
		Min	Max	
$\overline{CS}$ level hold time at power OFF	tpd	200	—	ns
$\overline{CS}$ level hold time at power ON	tpu	85	—	ns
Power supply rising time	tr	0.05	200	ms

■ NOTES ON USE

After the IR reflow completed, it is not guaranteed to save the data written prior to the IR reflow.

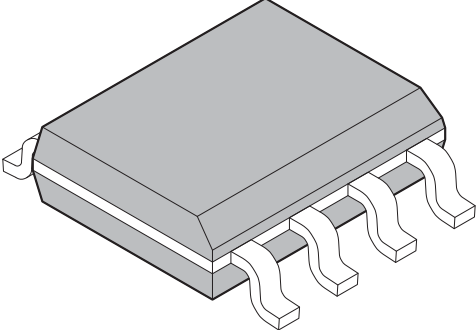


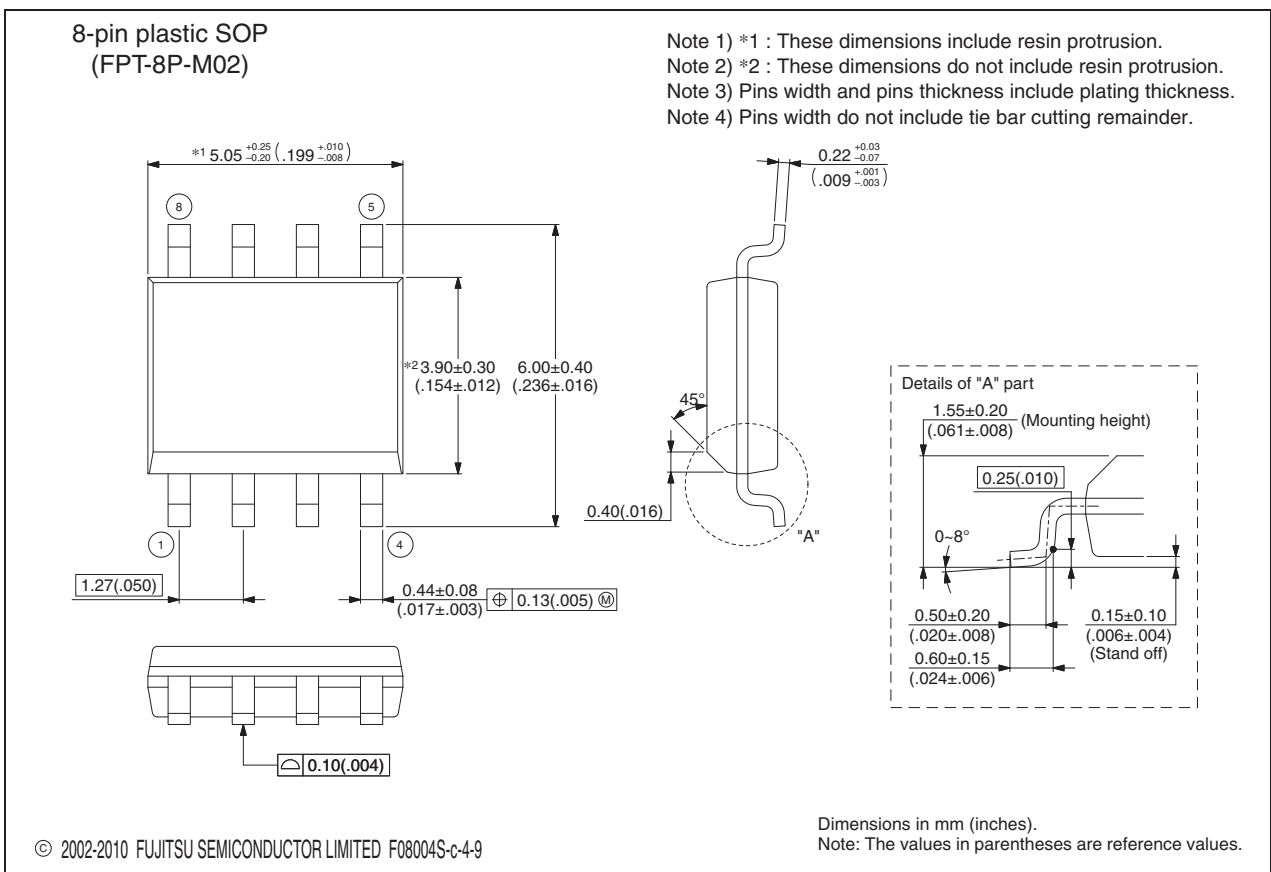
## ■ ORDERING INFORMATION

Part number	Package	Remarks
TBD	8-pin plastic SOP (FPT-8P-M02)	
TBD	8-pin plastic SOP (FPT-8P-M02)	Embossed Carrier tape

Note : Please confirm the ordering information with the sales representatives.

## ■ PACKAGE DIMENSION

<p style="text-align: center;">8-pin plastic SOP</p>  <p style="text-align: center;">(FPT-8P-M02)</p>	Lead pitch	1.27 mm
	Package width × package length	3.9 mm × 5.05 mm
	Lead shape	Gullwing
	Sealing method	Plastic mold
	Mounting height	1.75 mm MAX
	Weight	0.06 g



Please check the latest package dimension at the following URL.  
<http://edevice.fujitsu.com/package/en-search/>

**MEMO**

## FUJITSU SEMICONDUCTOR LIMITED

Nomura Fudosan Shin-yokohama Bldg. 10-23, Shin-yokohama 2-Chome,  
Kohoku-ku Yokohama Kanagawa 222-0033, Japan  
Tel: +81-45-415-5858  
<http://jp.fujitsu.com/fsl/en/>

For further information please contact:

### North and South America

FUJITSU SEMICONDUCTOR AMERICA, INC.  
1250 E. Arques Avenue, M/S 333  
Sunnyvale, CA 94085-5401, U.S.A.  
Tel: +1-408-737-5600 Fax: +1-408-737-5999  
<http://us.fujitsu.com/micro/>

### Europe

FUJITSU SEMICONDUCTOR EUROPE GmbH  
Pittlerstrasse 47, 63225 Langen, Germany  
Tel: +49-6103-690-0 Fax: +49-6103-690-122  
<http://emea.fujitsu.com/semiconductor/>

### Korea

FUJITSU SEMICONDUCTOR KOREA LTD.  
902 Kosmo Tower Building, 1002 Daechi-Dong,  
Gangnam-Gu, Seoul 135-280, Republic of Korea  
Tel: +82-2-3484-7100 Fax: +82-2-3484-7111  
<http://kr.fujitsu.com/fsk/>

### Asia Pacific

FUJITSU SEMICONDUCTOR ASIA PTE. LTD.  
151 Lorong Chuan,  
#05-08 New Tech Park 556741 Singapore  
Tel : +65-6281-0770 Fax : +65-6281-0220  
<http://sg.fujitsu.com/semiconductor/>

### FUJITSU SEMICONDUCTOR SHANGHAI CO., LTD.

Rm. 3102, Bund Center, No.222 Yan An Road (E),  
Shanghai 200002, China  
Tel : +86-21-6146-3688 Fax : +86-21-6335-1605  
<http://cn.fujitsu.com/fss/>

### FUJITSU SEMICONDUCTOR PACIFIC ASIA LTD.

10/F., World Commerce Centre, 11 Canton Road,  
Tsimshatsui, Kowloon, Hong Kong  
Tel : +852-2377-0226 Fax : +852-2376-3269  
<http://cn.fujitsu.com/fsp/>

Specifications are subject to change without notice. For further information please contact each office.

### All Rights Reserved.

The contents of this document are subject to change without notice.

Customers are advised to consult with sales representatives before ordering.

The information, such as descriptions of function and application circuit examples, in this document are presented solely for the purpose of reference to show examples of operations and uses of FUJITSU SEMICONDUCTOR device; FUJITSU SEMICONDUCTOR does not warrant proper operation of the device with respect to use based on such information. When you develop equipment incorporating the device based on such information, you must assume any responsibility arising out of such use of the information.

FUJITSU SEMICONDUCTOR assumes no liability for any damages whatsoever arising out of the use of the information.

Any information in this document, including descriptions of function and schematic diagrams, shall not be construed as license of the use or exercise of any intellectual property right, such as patent right or copyright, or any other right of FUJITSU SEMICONDUCTOR or any third party or does FUJITSU SEMICONDUCTOR warrant non-infringement of any third-party's intellectual property right or other right by using such information. FUJITSU SEMICONDUCTOR assumes no liability for any infringement of the intellectual property rights or other rights of third parties which would result from the use of information contained herein.

The products described in this document are designed, developed and manufactured as contemplated for general use, including without limitation, ordinary industrial use, general office use, personal use, and household use, but are not designed, developed and manufactured as contemplated (1) for use accompanying fatal risks or dangers that, unless extremely high safety is secured, could have a serious effect to the public, and could lead directly to death, personal injury, severe physical damage or other loss (i.e., nuclear reaction control in nuclear facility, aircraft flight control, air traffic control, mass transport control, medical life support system, missile launch control in weapon system), or (2) for use requiring extremely high reliability (i.e., submersible repeater and artificial satellite).

Please note that FUJITSU SEMICONDUCTOR will not be liable against you and/or any third party for any claims or damages arising in connection with above-mentioned uses of the products.

Any semiconductor devices have an inherent chance of failure. You must protect against injury, damage or loss from such failures by incorporating safety design measures into your facility and equipment such as redundancy, fire protection, and prevention of over-current levels and other abnormal operating conditions.

Exportation/release of any products described in this document may require necessary procedures in accordance with the regulations of the Foreign Exchange and Foreign Trade Control Law of Japan and/or US export control laws.

The company names and brand names herein are the trademarks or registered trademarks of their respective owners.

Edited: Sales Promotion Department