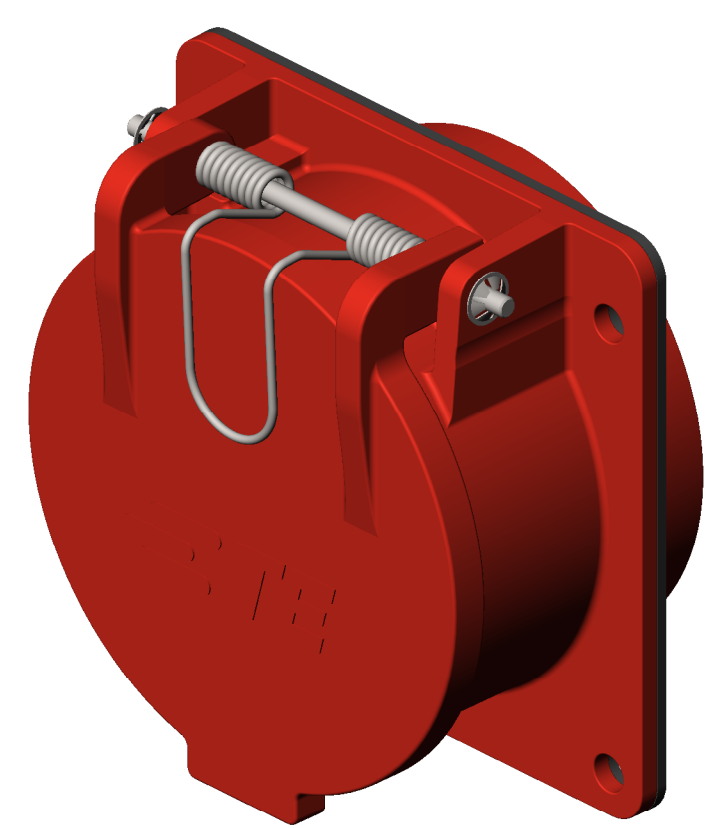


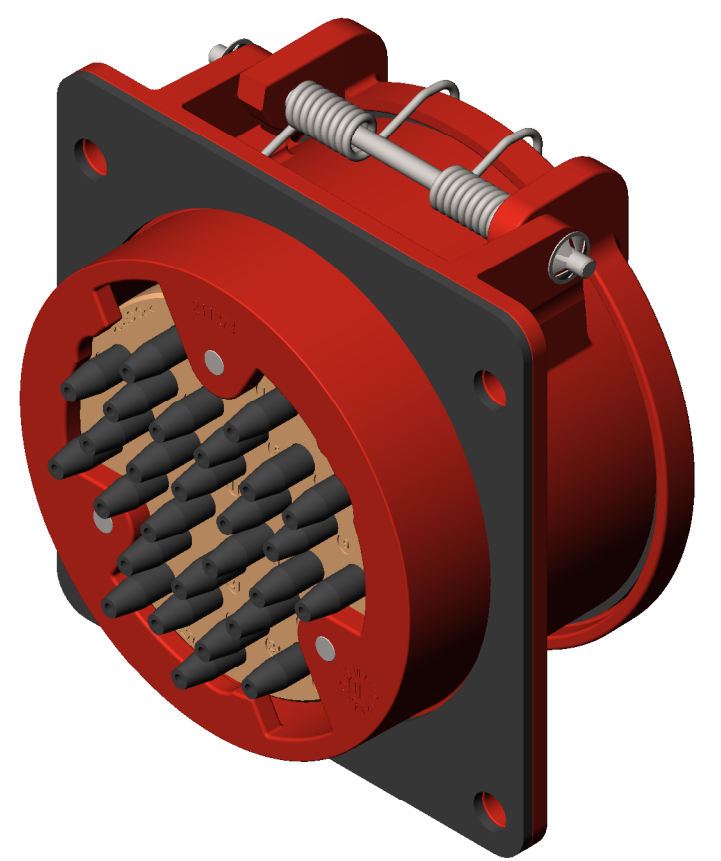
Project NR		REVISIONS			
P	LTV	DESCRIPTION	DATE	BY	APPV
B		Diffusion N°331170	06.AUG.2015	MB	MV
C		Add item 16, 17 and 18 - Add note 15 (Diffusion 2016)	11.APR.2016	MB	MV
D		Modify quantity of 11 - update product spec & application spec - Diffusion 3014	05SEP2016	EL	MV

	Paper	5	1	YSPEC-408-157000-1	Mounting instruction	18	
		1.50	1	0206-0329AS	Dehydrating bag	17	
	Plastic	0,50	2	0158-0001-X	Collar	16	
	Carton	88.14	1	0206-0105AS	Box	15	
△15	Conversion Cr-3	FMME 4010	Aluminium	376.47	1	YG-UC-211287A-JG04	Cover
			Stainless steel	1.15	3	W-08-I	Washer
			Stainless steel	17.24	3	CHCM08x25-I	Screw CHC M8x25
△3	Silver plating		Brass	43.14	1	YS-UC-211946A-AA1A	Kit with 3 Male contacts 10 AWG
△3	Silver plating		Brass	349.15	1	YS-UC-211945A-AA1A	Kit with 24 Male contactst AWG 12 and 14
		FTMP 651	Polycarbonate	162.78	1	YK-UC-211275A-QK00	Male insulator
		FMEL 31016	Neoprene	1.91	27	YK-UC-211315A-VP00	Sleeve
		FTMP 651	Polycarbonate	124.8	1	YK-UC-211276A-QK00	Mixed insulator
			Stainless Steel	0.41	2	Y0000000-7105-06-I	Self locking ring
		FMEL 31015	Neoprene	52.3	1	YA-UC-211297A-VN00	Gasket
		FMEL 31016	Neoprene	13.14	1	1504-0019A4	Gasket
		FMME 3034	Stainless steel	4.31	1	1504-0005A4	Spring
		FMME 3017	Stainless steel	3.95	1	1504-0018A4	Axis
△	Conversion Cr-3	FMME 4010	Aluminium	1070.45	1	YG-UC-211281A-JG04	Receptacle body - position 0
Remarks	Plating	Data sheet	Material	Weight (g)	Qty	Part number	Designation
							Item

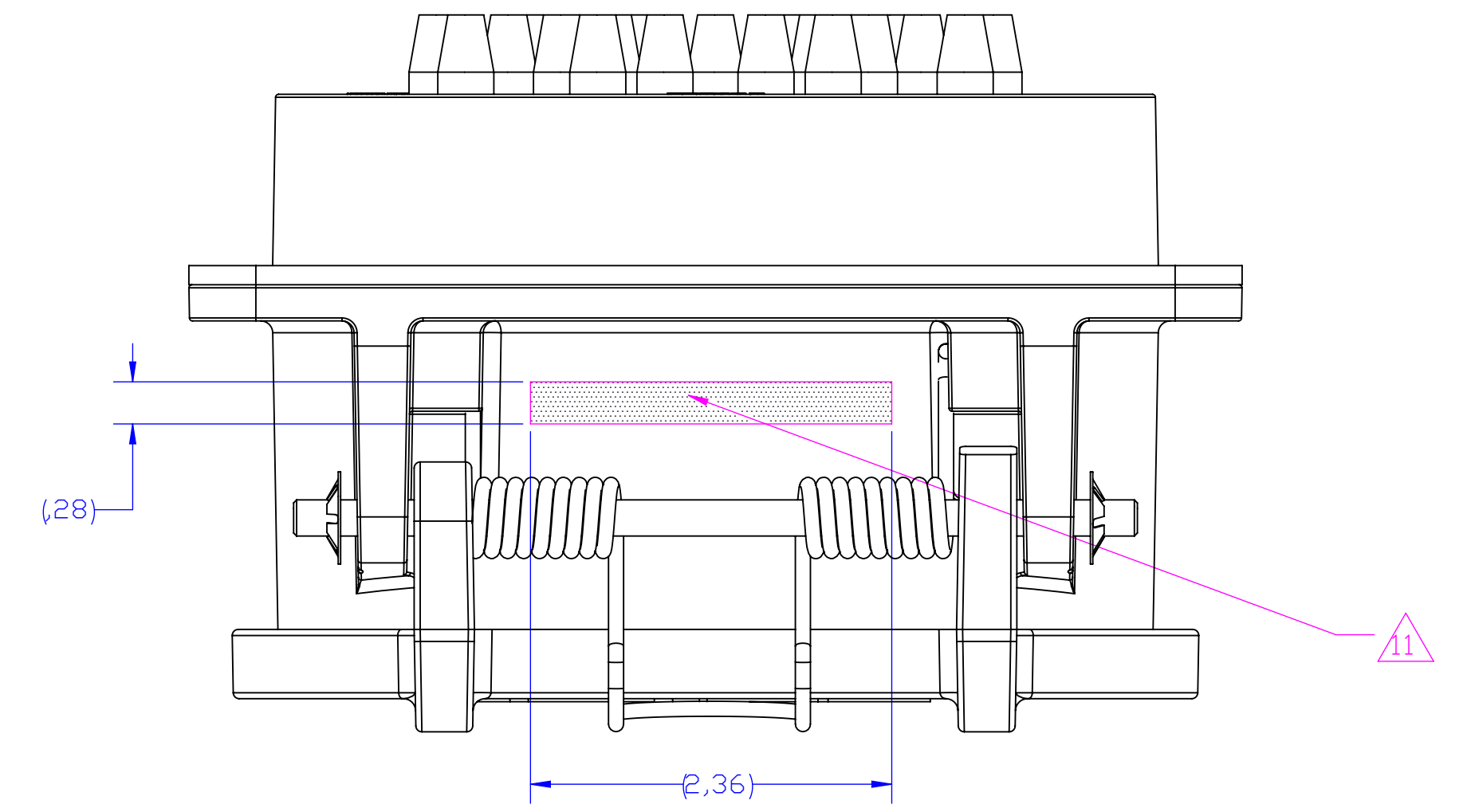
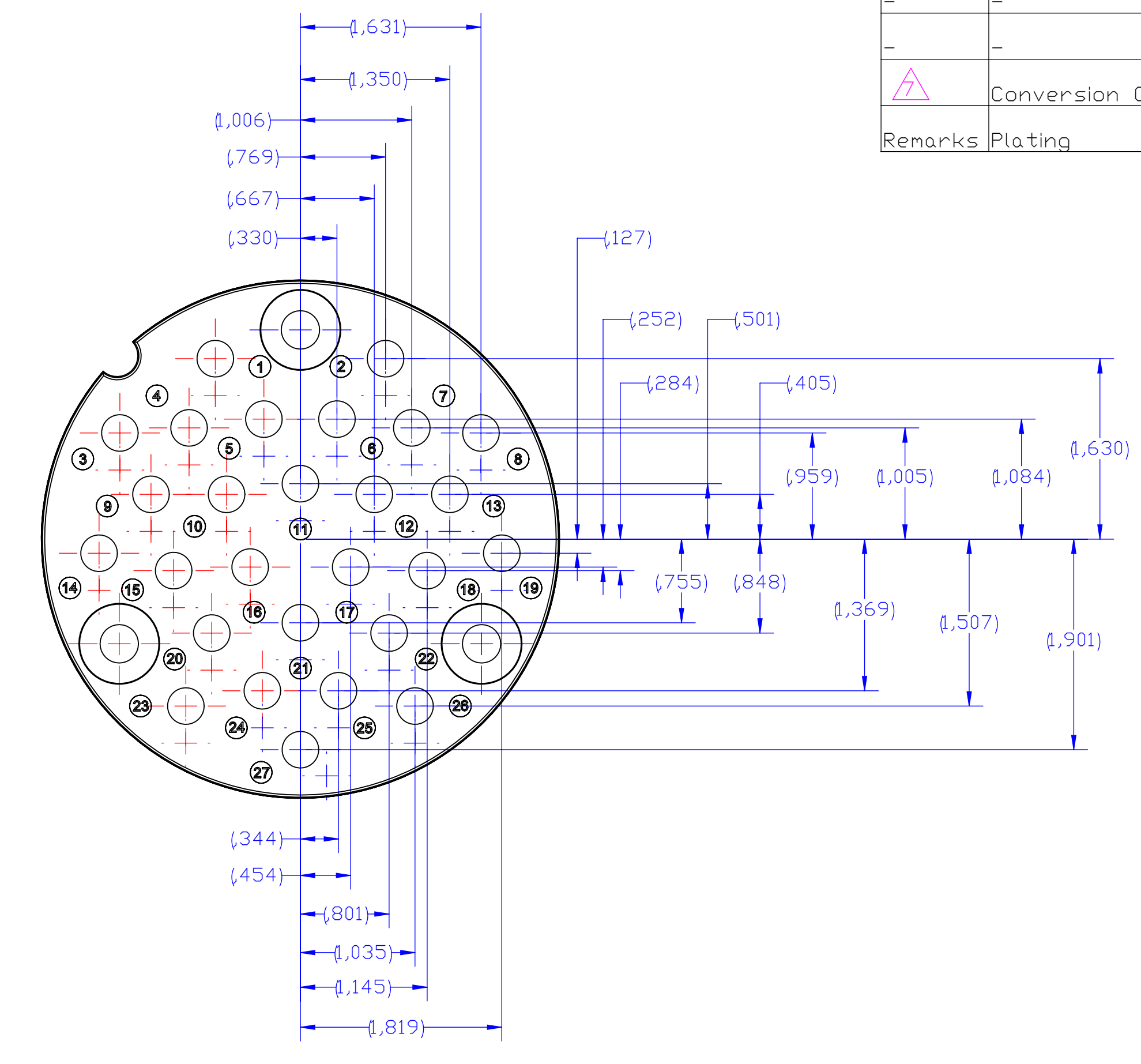
Isometric view - Scale 1:2



Isometric view - Scale 1:2

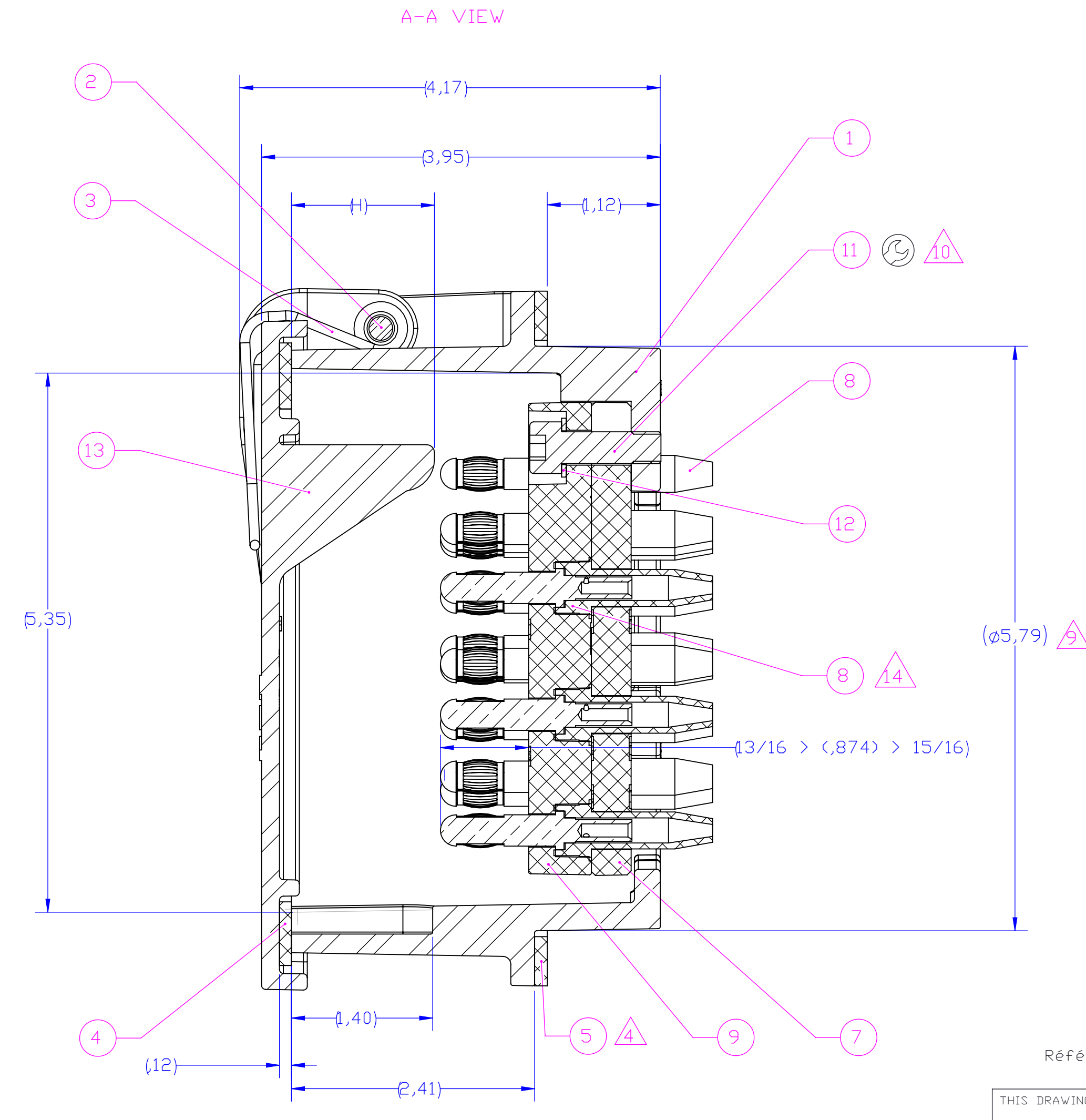
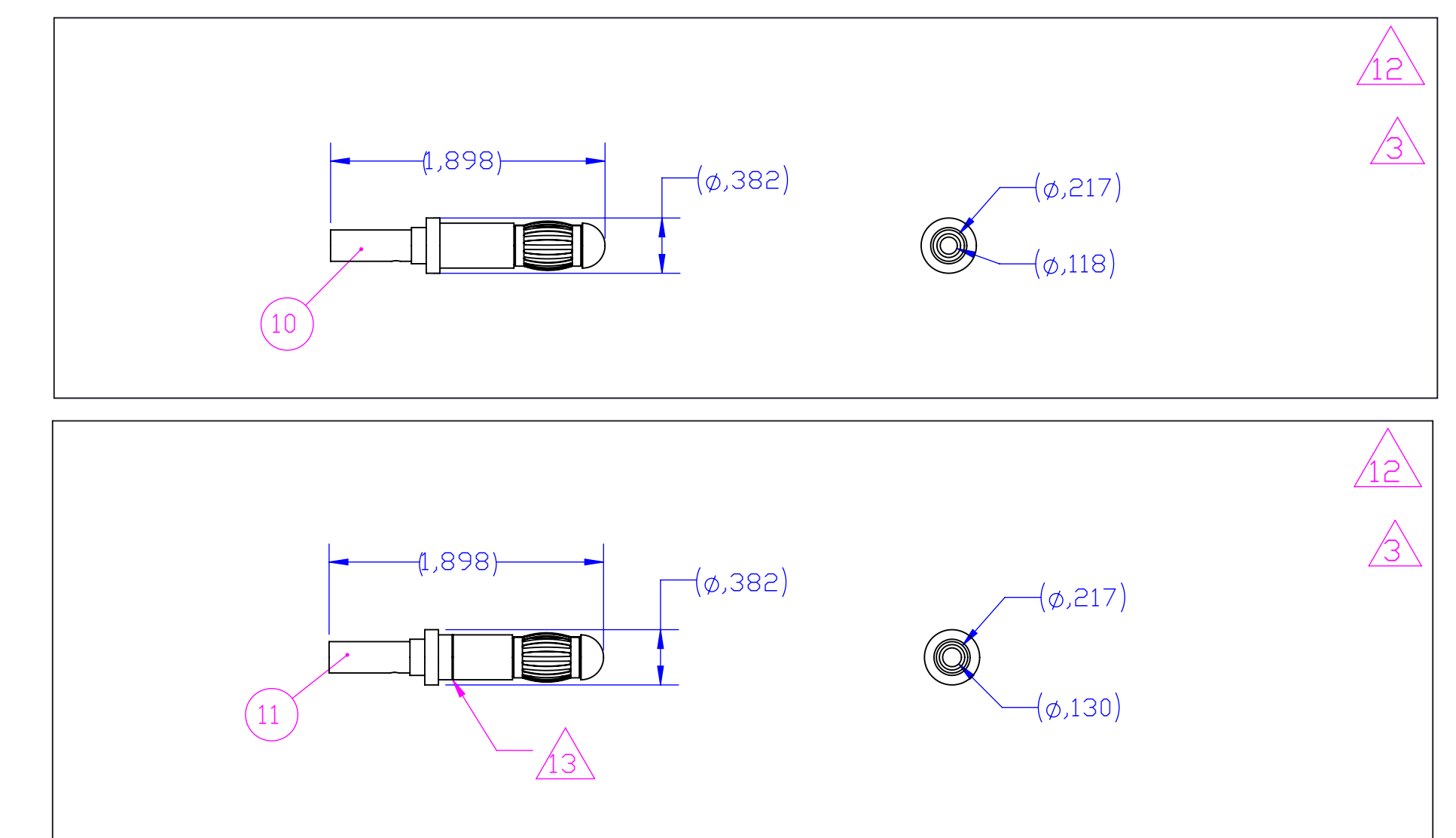
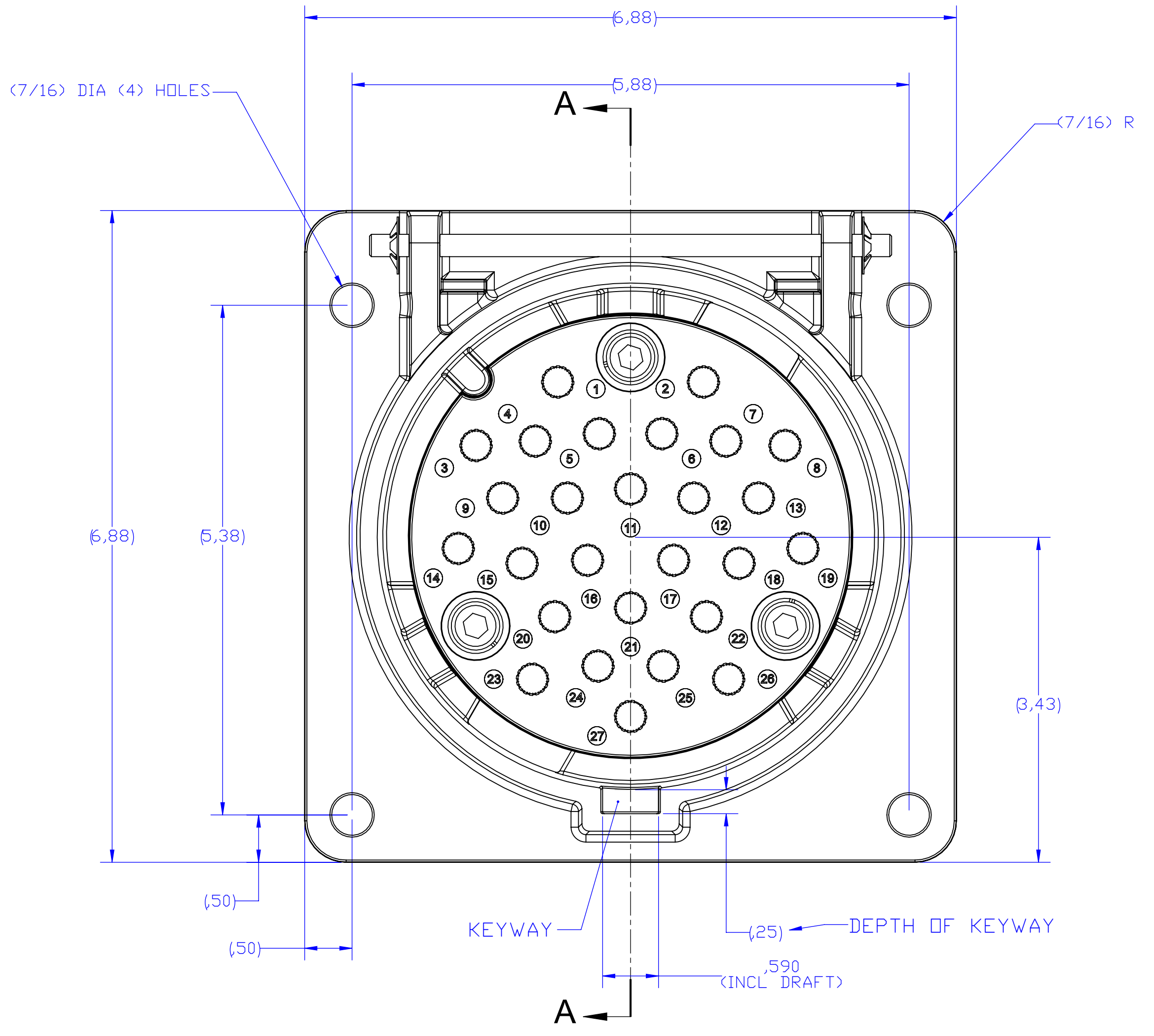
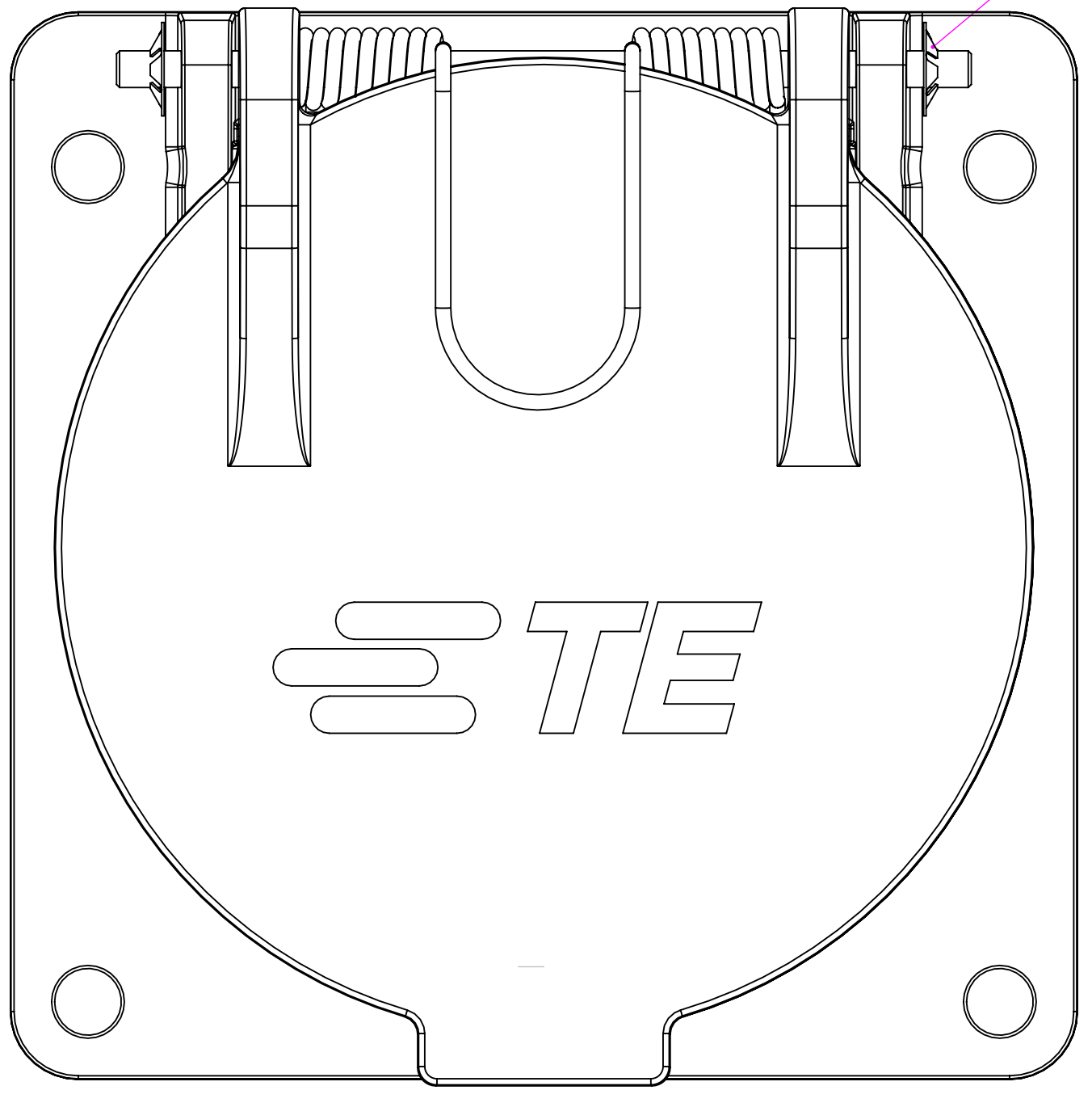


INSULATOR VIEW SCALE 1:1



VIEW WITH COVER CLOSED

VIEW WITH COVER REMOVED



- 1 () : cotes pour information / dimensions for information
- 1 () : cotes de controle / inspection dimensions
- 2 () Instructions de mise en oeuvre à appliquer par le client
Customer instructions to be applied by the customer
- 3 Ref. YS-UC-211946A-AA1A is a KIT with 3 contacts AWG10
Ref. YS-UC-211945A-AA1A is a KIT with 24 contacts AWG12/14
- 4 Receptacle gasket is sold tied on the receptacle
- 5
- 6 Red paint
- 8 Work instruction according to 118-157000-1
- 9 Diameter of panel mounting hole : 5,86±0.005
- 10 Tightening torque = 10N.m
- 11 Laser marking :
TE + Commercial reference + Year-Week
- 12 Daniels manual crimping tool :
- Hand crimper HX4
- Die Y543
Daniels pneumatic crimping tool :
- Pneumatic pump HX23
- Die Y543
- 13 Groove made to differentiate contacts
- 14 Sleeves packaging separately and identified
- 15 A label with the commercial reference and the complete BDM is glued on the cardboard
- 16 Standard :
AAR 3-512, APTA RP-E-019-99
- 17 Packaging Specification 107-157003

Référence commerciale / Commercial reference : 27P-REC-4-01

THIS DRAWING IS A CONTROLLED DOCUMENT. 09JUL2015

APPROVED BY: M BONNIN 09JUL2015
M GALBRAUD 09JUL2015

PROJECT ENG: M VIMARD 09JUL2015

PRODUCT SPEC: 108-157001

APPLICATION SPEC: 408-157000-1

WEIGHT: 5.057 pound

CUSTOMER DRAWING

TE Connectivity
COMMUNICATION COMMUTER RECEPTACLE

SIZE: AC CASE CODE: DRAWING NO: C=1894-212086

RESTRICTED TO: 11 SHEET 1 OF 1 REV 0