

NEW



Conforming to USB2.0 standard

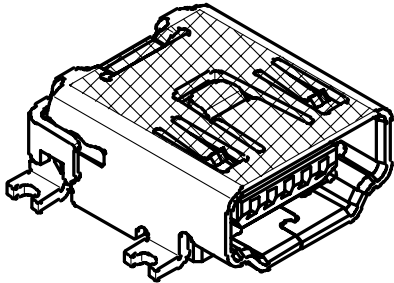
CONNECTOR

DX1, 2, 3 Series

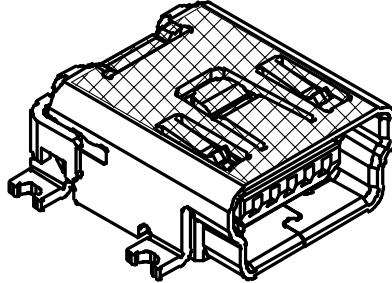
MB-0113-2

July 2006

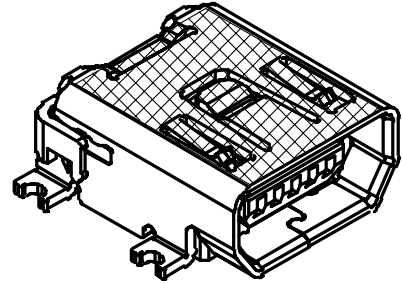
RoHS Compliant



Type A
DX1



Type B
DX2



Type AB
DX3

[Receptacle]

The DX Series connectors are mini USB connectors conforming to USB2.0 standards.

Features

- Conforms to Universal Serial Bus Specifications Revision 2.0
- Product lineup for each type (Type A: DX1, Type B: DX2, Type AB: DX3)
- Embossed tape for automatic mounting
- Captone tape for easy adsorption at automatic mounting
- Positioning bosses for board mounting

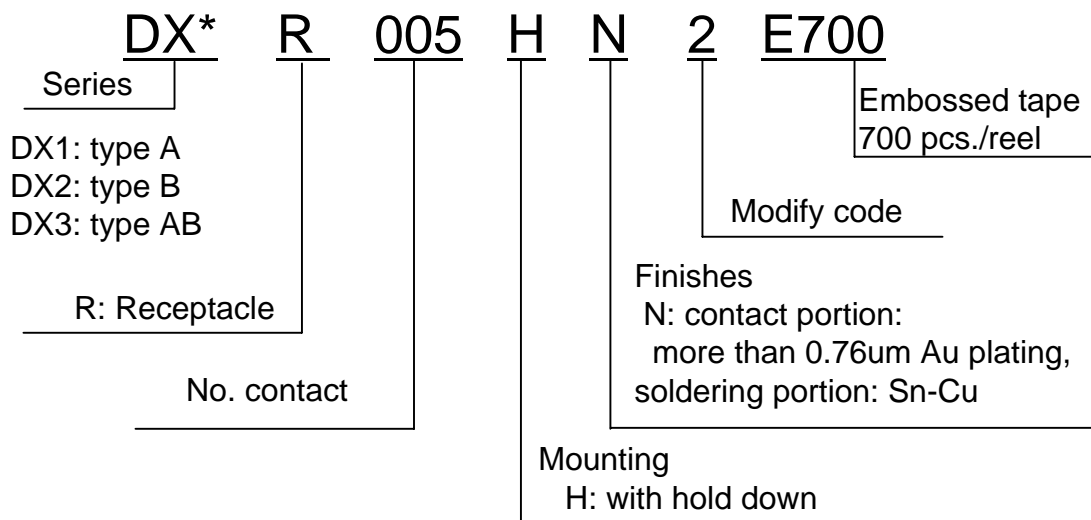
General Specifications

- | | |
|---|--|
| •No. of contacts: 5 pos. | •Rated current: 1.0A |
| •Contact resistance:
50m ohm max. (initial) | •Rated voltage: AC30V.r.m.s |
| •Dielectric withstanding voltage:
AC 100 Vr.m.s (per minute) | •Operating temperature :
-20 to+60 Deg. C |
| •Insulation resistance:
100M ohm min. (initial) | •Life time: 5,000 cycles |

Materials and Finishes

Componets	Materials/Finishes
Contact	Copper alloy/ Contact: Au plating over Ni (0.76um min.) Terminal: Sn-Cu flash over Ni
Insulator	Glass filled nylon
Shell	Copper alloy/ Main unit: Sn plating over Ni Through-hole portion: Sn plating over Ni

Ordering Information

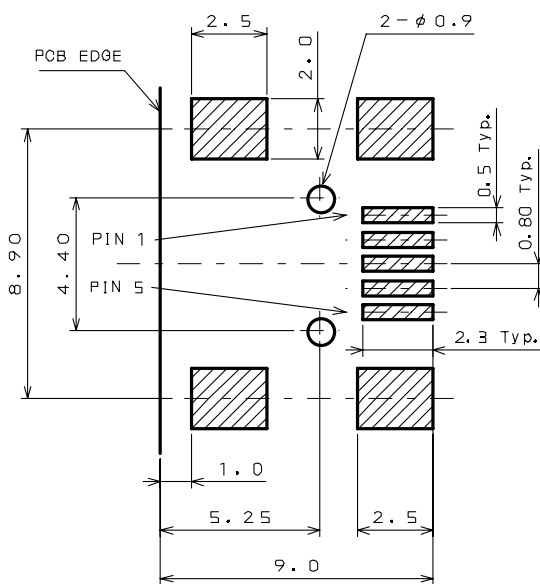
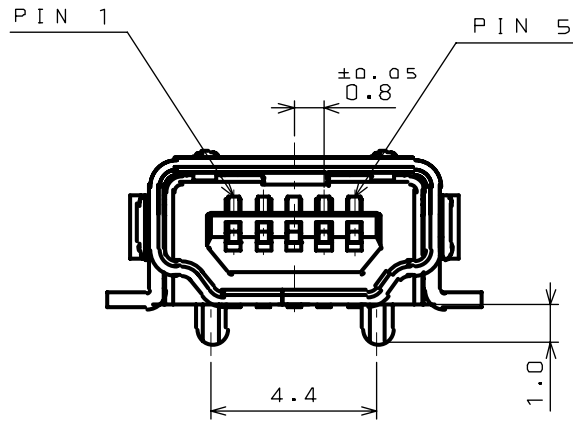
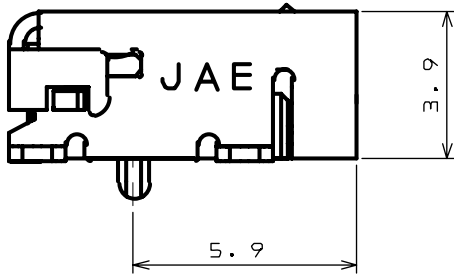
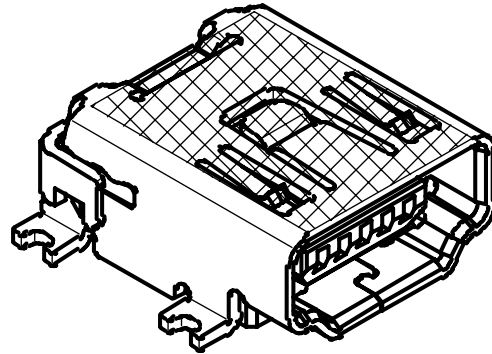
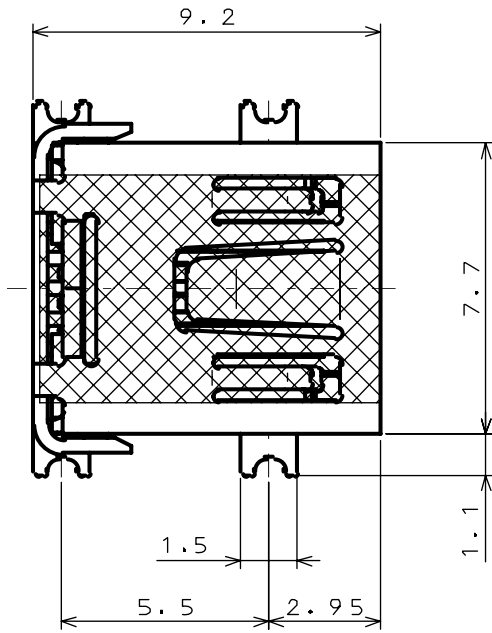


miniUSB Type	Part Number	SJ Drawing	Specification
Type A	DX1R005HN2	SJ101240	JACS-3286
	DX1R005HN2E700	SJ101242	
Type B	DX2R005HN2	SJ037525	
	DX2R005HN2E700	SJ037469	
Type AB	DX3R005HN2	SJ101241	
	DX3R005HN2E700	SJ101243	

*Please order Embossed reel product.

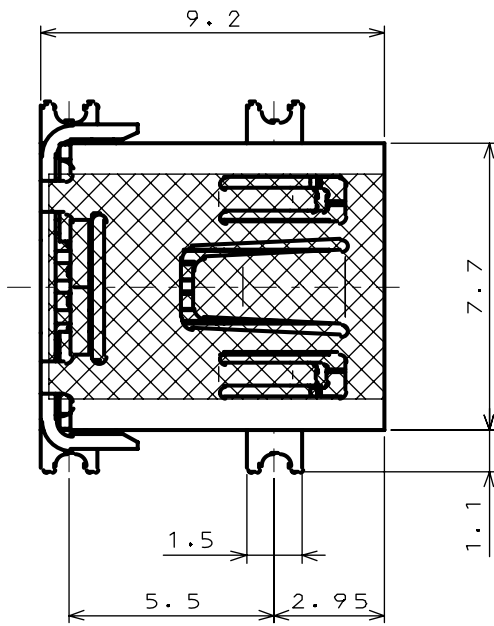
Receptacle: DX1R005HN2

Unit: mm

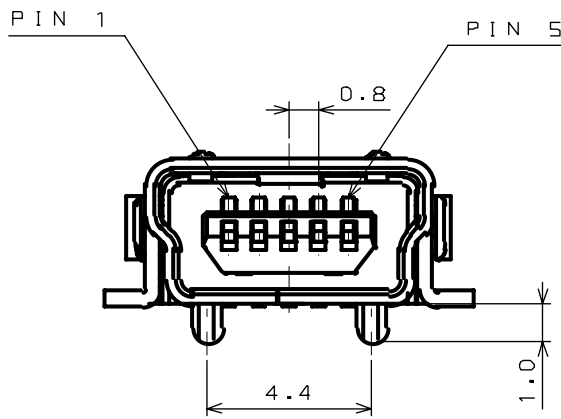
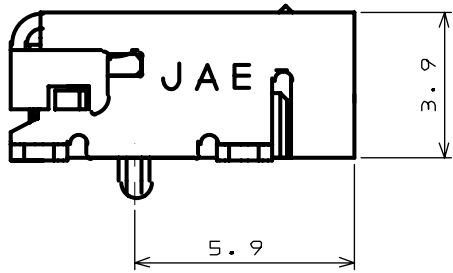
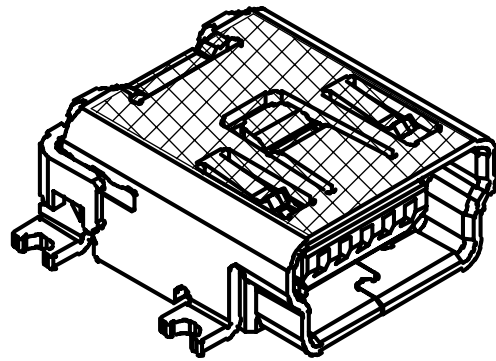


Applicable dimension of board (for reference)

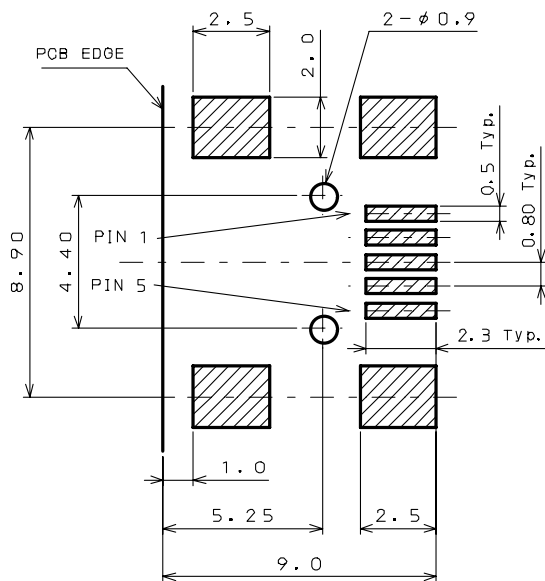
Receptacle: DX2R005HN2



Unit: mm



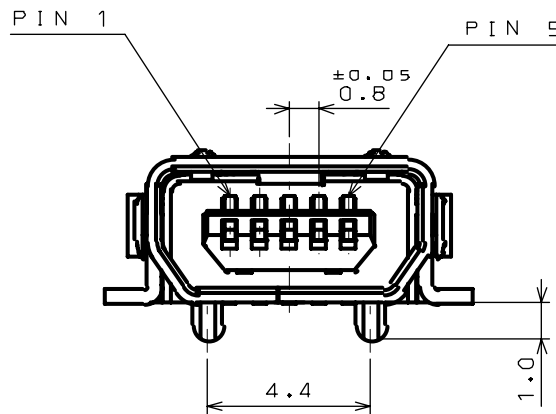
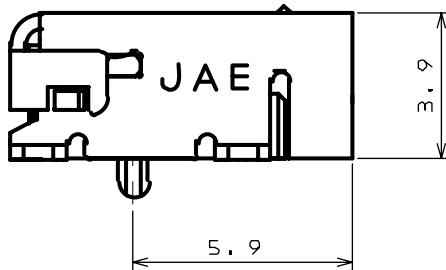
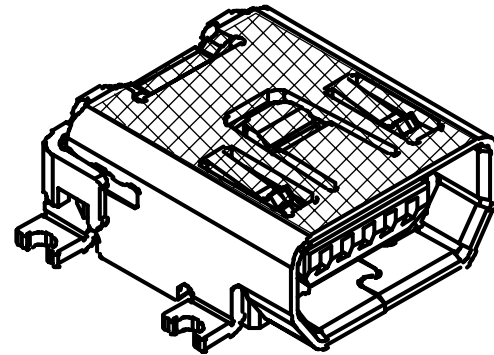
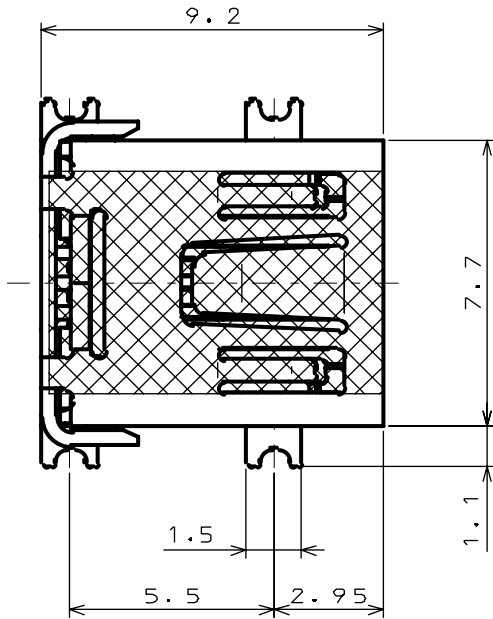
Unit: mm



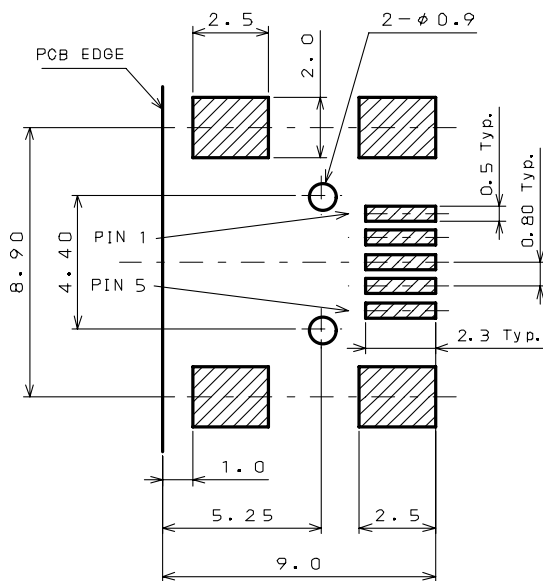
Applicable dimension of board (for reference)

Receptacle: DX3R005HN2

Unit: mm



Unit: mm



Applicable dimension of board (for reference)

Japan Aviation Electronics Industry, Limited

Product Marketing Division
 Aobadai Building, 3-1-19, Aobadai, Meguro-ku, Tokyo 153-8539
 Phone: +81-3-3780-2787 FAX: +81-3-3780-2946

Notice: Products shown in this leaflet are made for the applications listed below. However, if the above-mentioned products are to be used in aerospace devices, marine cable-connection devices, atomic power control systems, medical equipment for life-support systems, or any other specific application requiring extremely high reliability, please contact JAE for further information.
 Recommended applications: Computers, Office machines, Measuring devices, Telecommunication devices (Terminals, Mobile devices), AV devices, Household applications, FA devices, etc.