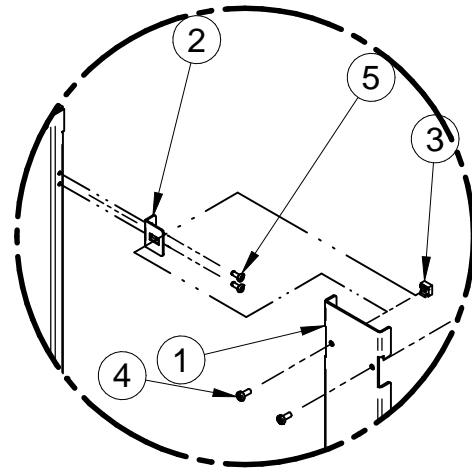
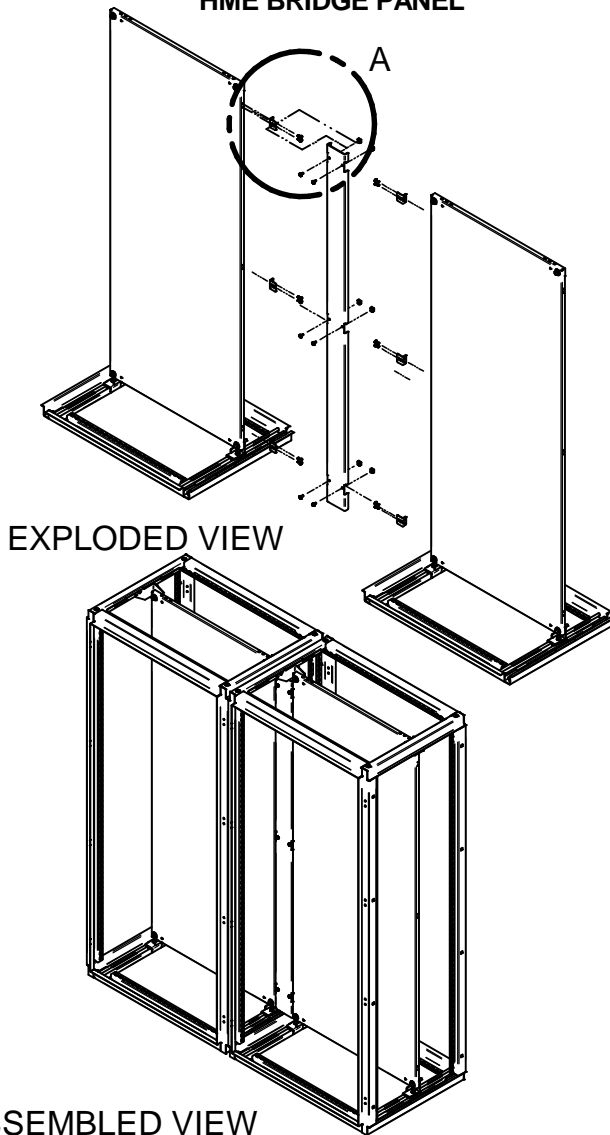


HMEPB - SERIES

BUL86186

REV. A

ASSEMBLY INSTRUCTIONS FOR HME BRIDGE PANEL



ASSEMBLY A

INSTRUCTIONS:

A) Install HME bridge panel brackets (Item 2) to inner panel using self tapping screws (Item 5). Assembly TIP: Install before ganging two units together or stagger one panel back from the other.

B) Install cage nuts (Item 3) into bridge panel brackets (Item 2).

C) If not already done, gang the two units together (See HMEJK bulletin), make sure inner panels are in line with each other.

D) Hang bridge panel (Item 1) on to bridge panel brackets (Item 2).

E) Line up cage nuts (Item 3) with holes in the bridge panel (Item 1) and install 1/4-20 machine screws (Item 4).

ITEM	DESCRIPTION	QTY
1	HME - Bridge Panel	1
2	HME - Bridge Panel Bracket	6
3	1/4-20 Cage Nut	6
4	Screw - 1/4-20 1/2 RND SL ZP	6
5	Screw - #12 X 1/2" Pan Head Phillips Self tapping	12

