

Customer Information Sheet

DRAWING No.: Z125-902

IF IN DOUBT - ASK

Ⓒ

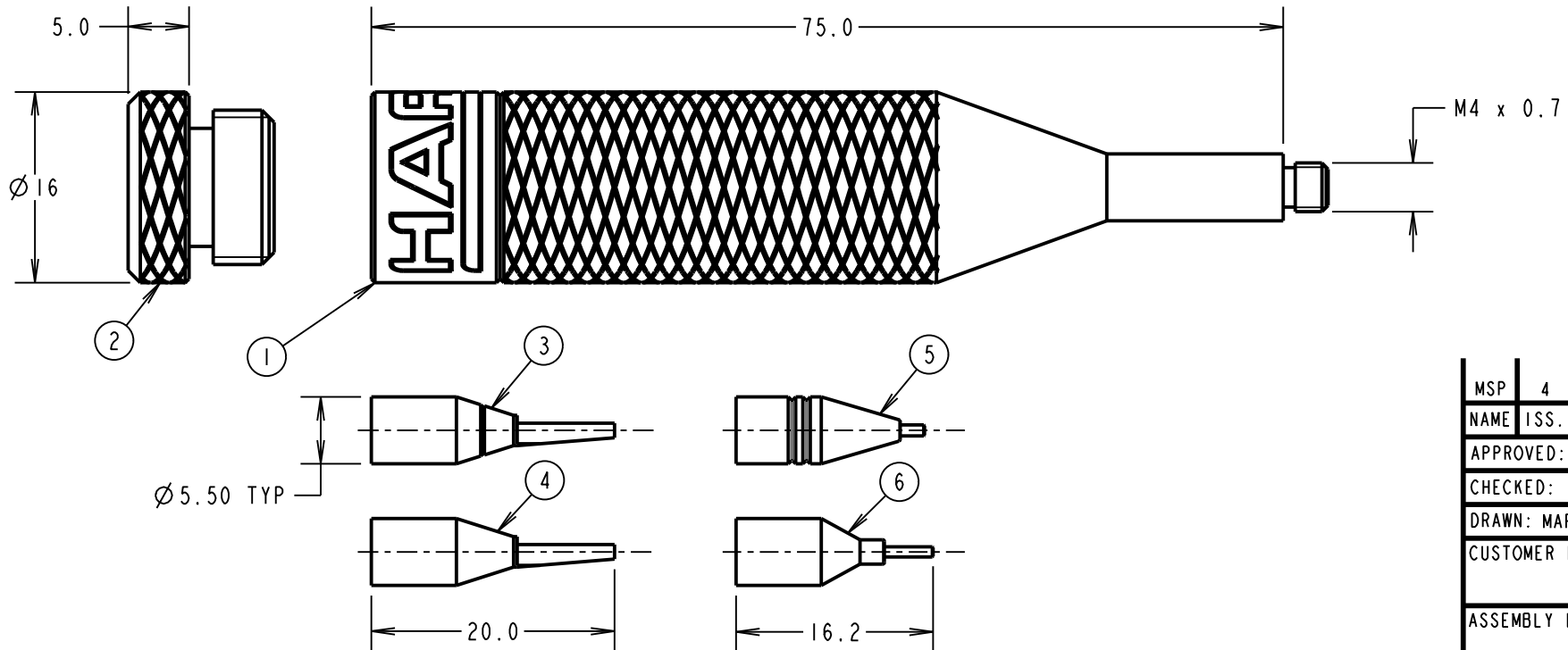
NOT TO SCALE

THIRD ANGLE PROJECTION

ALL DIMENSIONS IN mm

No.	DESCRIPTION
1	HANDLE BODY
2	CAP FOR HANDLE
3	INSERTION TIP 26/28 AWG \varnothing 0.80 MAX INS.
4	INSERTION TIP 30/32 AWG \varnothing 0.65 MAX INS.
5	REMOVAL TIP FEMALE CONTACT
6	REMOVAL TIP MALE CONTACT

NOTES:
1. SEE INSTRUCTION SHEET IS-38.



MSP	4	21.04.17	20556
NAME	ISS.	DATE	C/NOTE
APPROVED: M.PERREN			
CHECKED: S.BENNETT			
DRAWN: MARK G PLESTED			
CUSTOMER REF.:			
ASSEMBLY DRG:			

HARWIN

www.harwin.com
technical@harwin.com

THIS DRAWING AND ANY INFORMATION OR DESCRIPTIVE MATTER SET OUT HEREON ARE CONFIDENTIAL AND COPYRIGHT PROPERTY OF THE HARWIN GROUP AND MUST NOT BE DISCLOSED, LOANED, COPIED OR USED FOR MANUFACTURING, TENDERING OR FOR ANY OTHER PURPOSE WITHOUT THEIR WRITTEN PERMISSION.

TOLERANCES

X. = ± 1 mm
X.X = ± 0.50 mm
X.XX = ± 0.10 mm
X.XXX = ± 0.01 mm

ANGLES = $\pm 5^\circ$
UNLESS STATED

MATERIAL:

FINISH:

S/AREA:

mm²

TITLE:

G125 GECKOP CRIMP CONTACT
INSERTION / REMOVAL TOOL KIT

DRAWING NUMBER:

Z125-902

SHT

2 OF 2