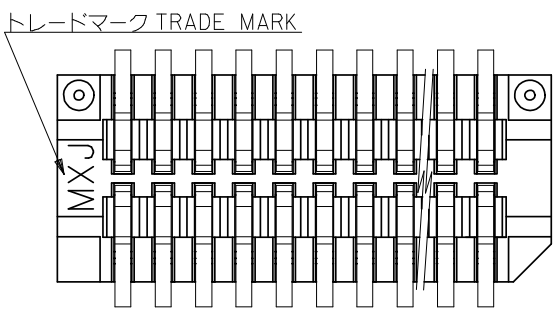
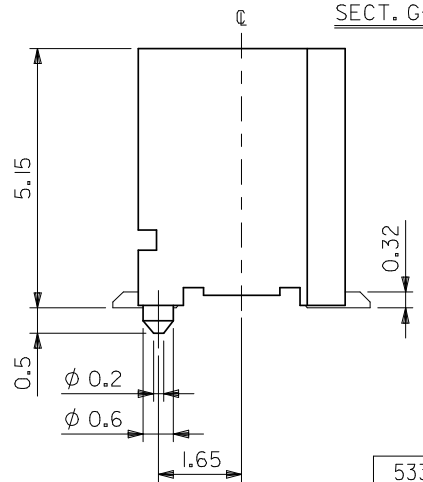
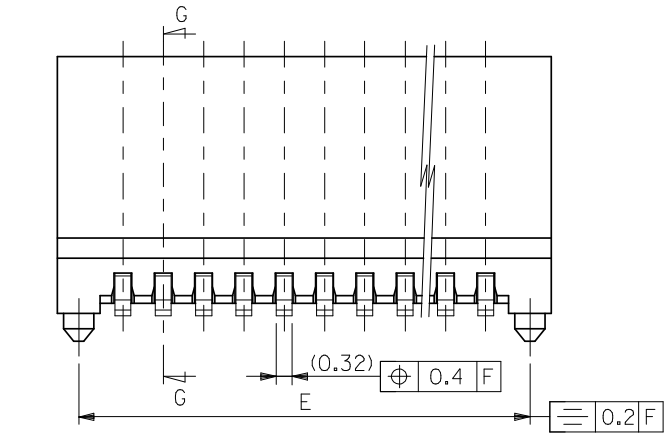


注記 NOTES

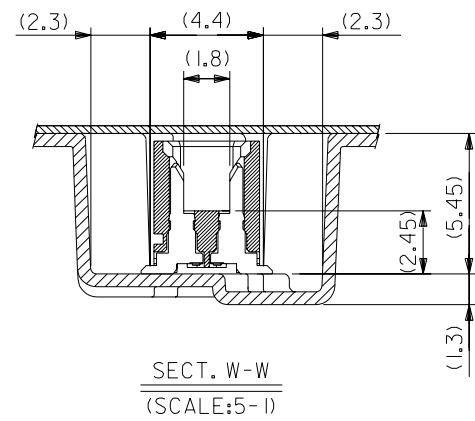
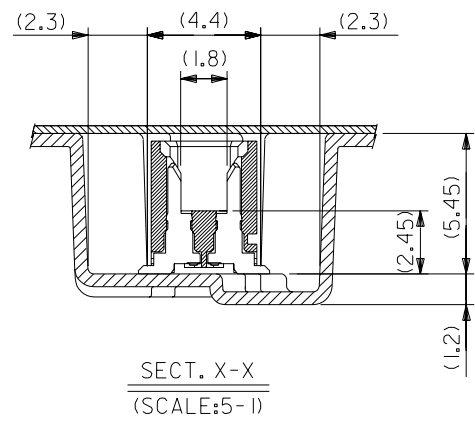
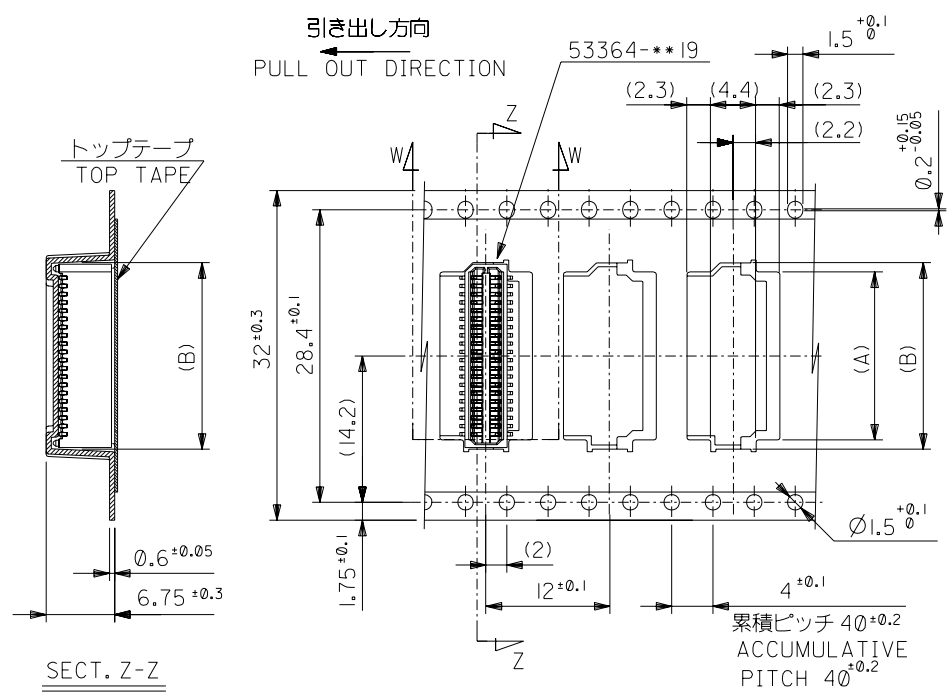
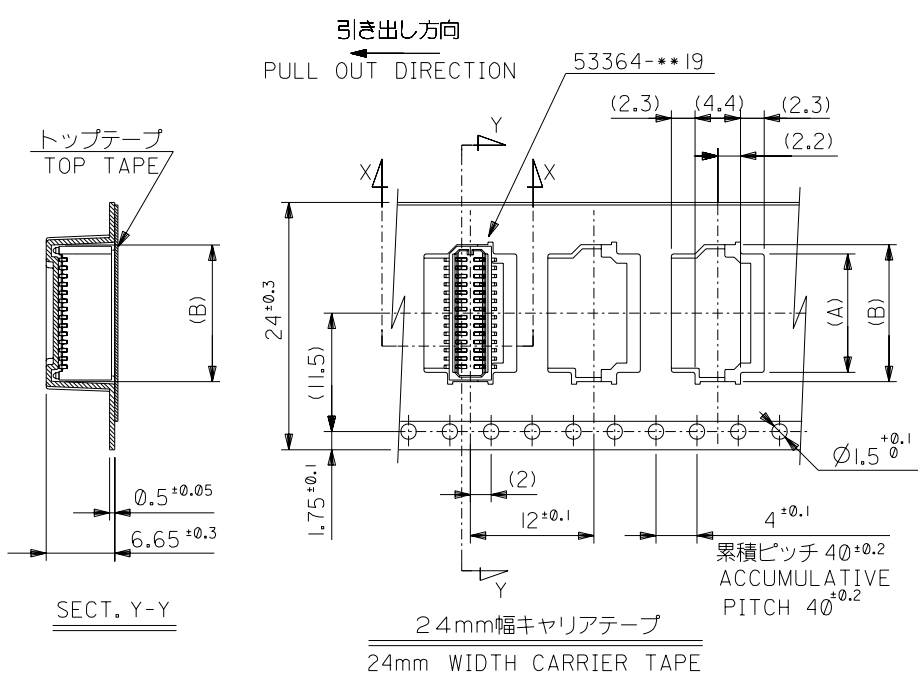
1. 嵌合相手 : 52465 シリーズ
MATES WITH : 52465 SERIES
2. ウェハーの C から隣接するピンの C 迄の位置を示す。
SHOW POSITION FROM C OF WAFER TO C OF ADJACENT PINS.
3. 本製品は 53364-**17 の鉛フリー品である。
THIS PRODUCT IS LEAD FREE OF 53364-**17



| | | | | | | | | |
|------------|---|---|---|---|---|--------------|----|------|
| 53364-**19 | E | D | C | B | A | MATERIAL NO. | 極数 | CKT. |
| MODEL NO. | | | | | | | | |

| | | | | | | |
|------|-----|------|------|------|------------|----|
| 17.0 | 0.4 | 17.8 | 16.9 | 15.2 | 53364-4019 | 40 |
| 15.4 | 0.4 | 16.2 | 15.3 | 13.6 | 53364-3619 | 36 |
| 13.0 | 0.8 | 13.8 | 12.9 | 11.2 | 53364-3019 | 30 |
| 12.2 | 0.4 | 13.0 | 12.1 | 10.4 | 53364-2819 | 28 |
| 9.0 | 0.4 | 9.8 | 8.9 | 7.2 | 53364-2019 | 20 |
| 8.2 | 0.8 | 9.0 | 8.1 | 6.4 | 53364-1819 | 18 |
| 5.8 | 0.4 | 6.6 | 5.7 | 4.0 | 53364-1219 | 12 |
| 5.0 | 0.8 | 5.8 | 4.9 | 3.2 | 53364-1019 | 10 |

| | | | | | | |
|---|---------------------------------------|--|------------------|---|--------------|---|
| REVISED EC NO: J2008-3931 DRWN: MAKURAA 2008/05/26 CHKD: T. HARIYAMA 2008/05/26 APPR: NUKITA 2008/08/21 | GENERAL TOLERANCES (UNLESS SPECIFIED) | | DIMENSION STYLE | SCALE | DESIGN UNITS | TITLE 0.8 BOARD TO BOARD CONN. WAFER ASS ST.SMT -LEAD FREE- MOLEX INCORPORATED DOCUMENT NO. SD-53364-001 SHEET NO. 1 OF 1 |
| | 10 UNDER ±0.2 | | MM ONLY | --- | METRIC | |
| | 10 OVER 30 UNDER ±0.25 | | DRAWN BY DATE | THIRD ANGLE PROJECTION | | |
| | 30 OVER ±0.3 | | CHECKED BY DATE | | | |
| A | ANGULAR ±3 ° | DRAFT WHERE APPLICABLE MUST REMAIN WITHIN DIMENSIONS | APPROVED BY DATE | SEE TABLE | | |
| | | | MATERIAL NO. | THIS DRAWING CONTAINS INFORMATION THAT IS PROPRIETARY TO MOLEX INCORPORATED AND SHOULD NOT BE USED WITHOUT WRITTEN PERMISSION | | |
| | | | SIZE A3 | | | |



| | | | | | | |
|----|------|------|------|------|------------|----|
| 32 | 37.4 | 33.4 | 18.1 | 16.3 | 53364-4070 | 40 |
| 24 | 29.4 | 25.4 | 16.5 | 14.7 | 53364-3670 | 36 |
| | | | 14.1 | 12.3 | 53364-3070 | 30 |
| | | | 13.3 | 11.5 | 53364-2870 | 28 |
| | | | 10.1 | 8.3 | 53364-2070 | 20 |

| | | | | | | | | |
|-------------|--------------------|--------------------|-------------------|------|----------|---|---------------------------|-------------------------------------|
| 53364-***70 | キャリアテープ幅 | D | C | (B) | (A) | MATERIAL NO. | 極数 | |
| MODEL NO. | CARRIER TAPE WIDTH | | | | | | CIRCUIT | |
| | 材料 | MATERIAL | | | | | MOLLEX | MOLEX-JAPAN CO.,LTD. 日本モレックス株式会社 |
| | 仕上げ | FINISH | | | | | | |
| | 適用電線範囲 | WIRE RANGE | | | | | REVISE ONLY ON CAD SYSTEM | |
| | 被覆外径 | INS. RANGE | | | | | TITLE 名称 | |
| | 記号 | 0 | 新規作成 (J2004-2958) | M.N. | 04/03/09 | 0.8 BtB Conn Wafer Assy ST SMT With Boss Embstp Pkg -LEAD FREE- | | |
| | 変更内容 | DR. | 日付 | 尺度 | SCALE | DWG. NO. (SHEET 2 OF 2) REV | | |
| | 一般公差 | GENERAL TOLERANCES | | | | | SD-53364-002 | |

| | | |
|------|-------|-------|
| 角度 | ANGLE | ±30 |
| 30以上 | OVER | +0.3 |
| 10以上 | 未満 | +0.25 |
| 10以下 | 30以下 | +0.2 |
| 未満 | 10以下 | +0.2 |