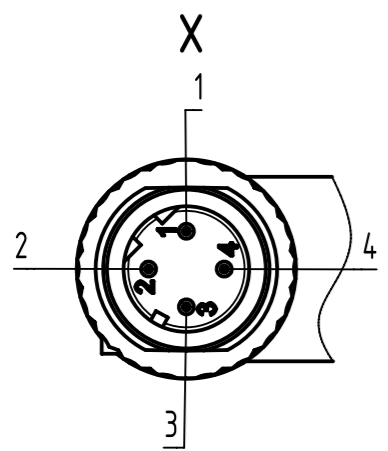
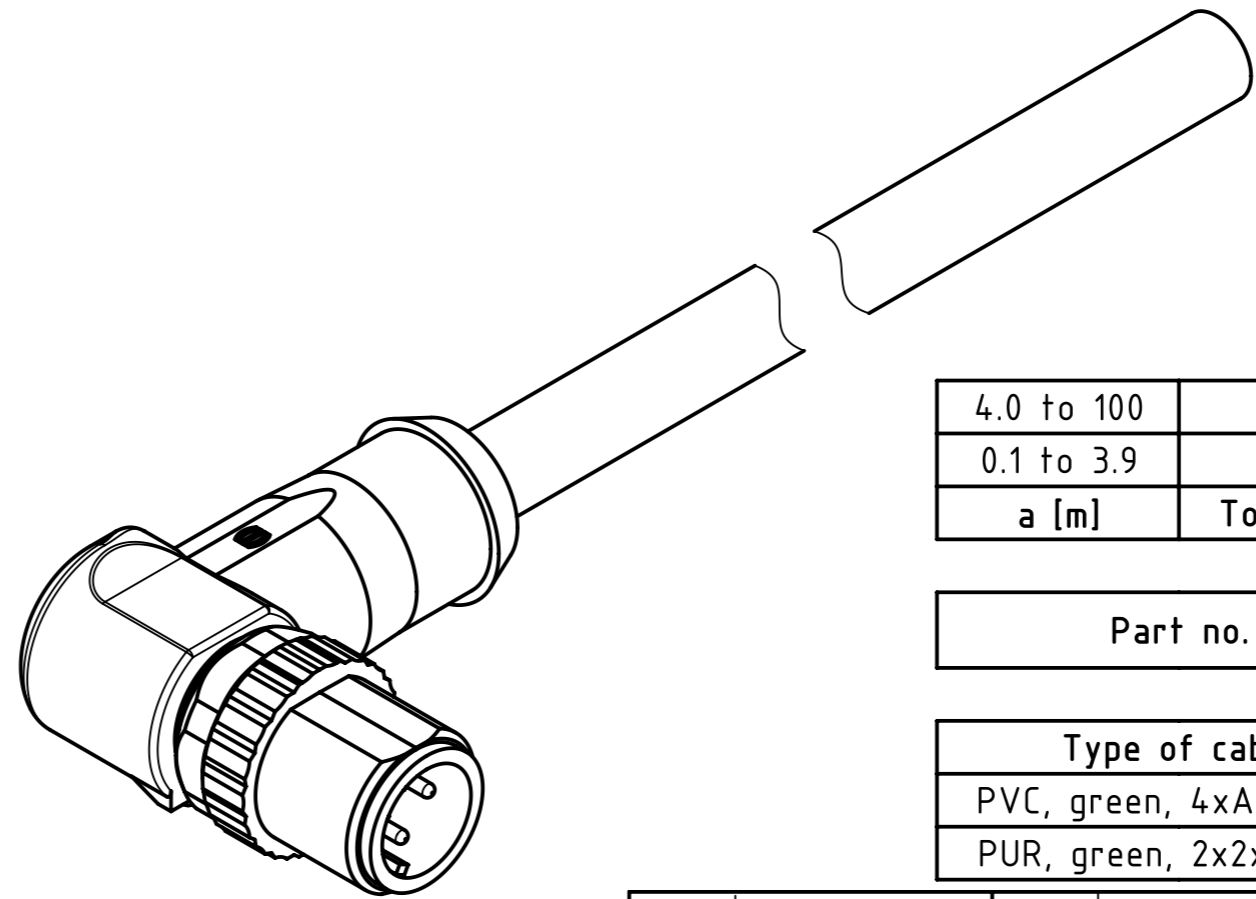


X↑



- Loading-Plan:**
- shield
 - 1 yellow
 - 2 white
 - 3 orange
 - 4 blue



4.0 to 100	+1%
0.1 to 3.9	+0.04
a [m]	Tolerance

length in "1m" step	100	XXX=000
	99	XXX=990
	.	.
	12	XXX=120
length in "0.1m" step	11	XXX=110
	10	XXX=100
	9.9	XXX=099
	9.8	XXX=098
	.	.
	0.4	XXX=004
	0.3	XXX=003
	0.2	XXX=002
0.1	XXX=001	
Step	a [m]	XXX

Part no.	213494004XXXXX
-----------------	----------------

Type of cable	XX
PVC, green, 4xAWG22/7	XX=05
PUR, green, 2x2xAWG22	XX=77

- Protection level: IP67
 - Temperature range: -30°C ... +70°C

All rights reserved Department EC PD - RO HARTING Electronics GmbH D-32339 Espelkamp	All Dimensions in mm Original Size DIN A3	Scale 1:1 Free size tol.	Ref. Sub.
	Created by TOMUTA Inspected by AVRAM Standardisation HOFFMANN Date 2014-08-21 State Final Release	Title M12 D-coded Cable Assembly Type TB Number 213494004XXXXX	Doc-Key / ECM-Nr. 100588495/UGD/000/A 50000079044 Rev. A Page 1/1