

30 and 40 W - 10 Nm - Right-angle gearbox 801410 SNI10 Part number 80141001



With or without integrated control electronics

- Output perpendicular to motor
- Ideal for short reduction ratios
- Ideal for very compact applications
- Silent operation
- Non-reversible movement at high ratios

Part numbers

| | Type | With built-in electronic control | Without built-in control, with Hall effect sensors | Ratios (i) | Output speed (rpm) 24 V DC | Available torque (Nm) | Efficiency (%) |
|-----------------|--------------|----------------------------------|--|------------|----------------------------|-----------------------|----------------|
| 80141001 | 801410 SNI10 | SNI10 | - | 5 | 440 | 0,36 | - |

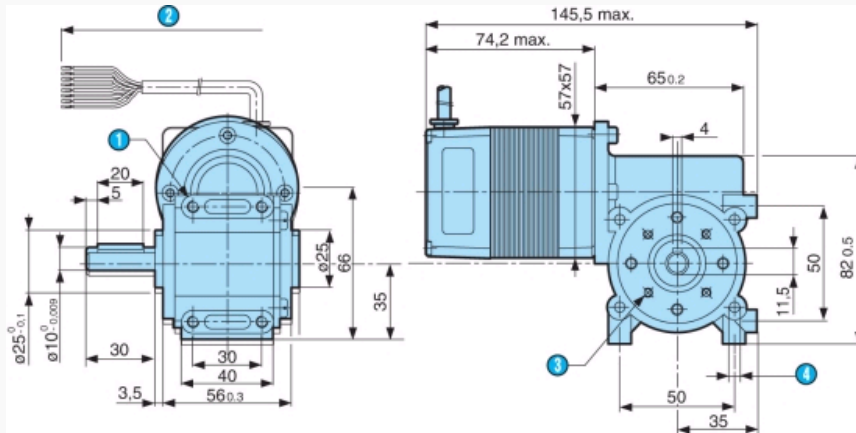
Specifications

General characteristics

| | |
|-------------------------------------|----------|
| Motor | 80140004 |
| Gearbox | 81041 |
| Nominal motor power at 24 V (W) | 32 |
| Max. torque (Nm) | 10 |
| Axial load dynamic (N) | 10 |
| Radial load dynamic (N) | 15 |
| Temperature rise at 50 % cycle (°C) | 45 |
| Weight (g) | 1500 |
| Protection index | IP54 |

Dimensions (mm)

801410 with SNI10



| N° | Legend |
|----|--|
| ① | 4 x M5 depth 8 mm (on rectangle 30x50) |
| ② | Length of cable 400 ± 10 mm |
| ③ | 4 x M4 over Ø 36 depth 8 mm |
| ④ | 4 x M5 over depth 8 mm (on rectangle 30x50) The left-hand and right-hand sides of the gearbox are identical |

Precautions for use

The limits and precautions for use described in the 80140 brushless motor section must be observed.

Product adaptations



- Other powers (60 W - 95 W)
- Dimensions of gearbox shaft
- Without cable but with connector integrated in motor
- Cable length, with or without connector
- Other reduction ratios
- Mechanical holding brake