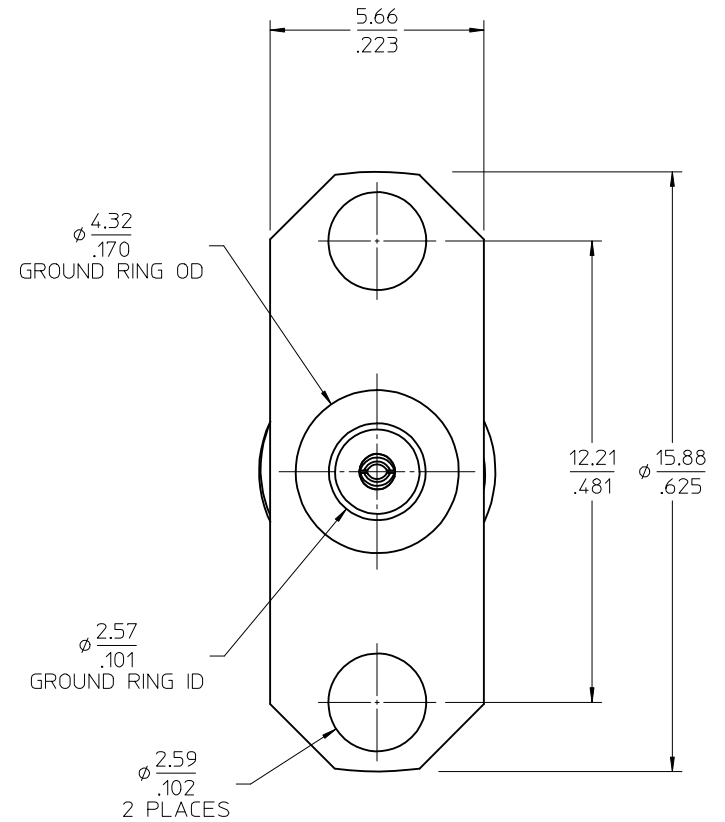
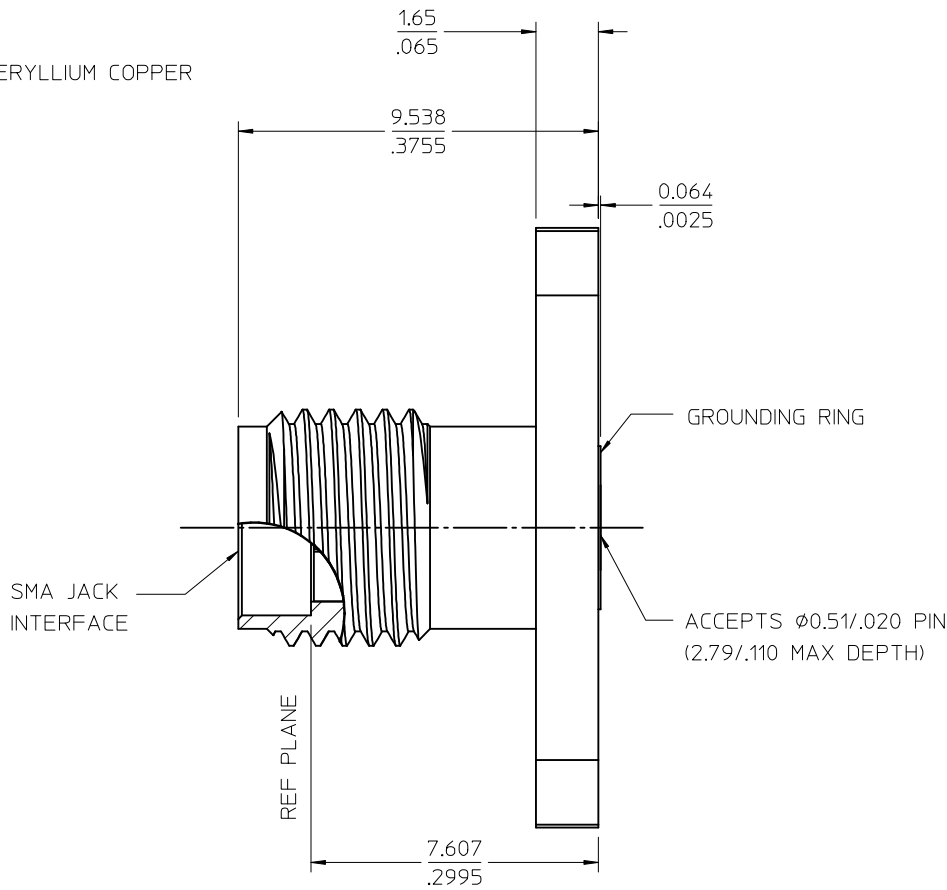


MATERIALS AND FINISHES:

BODY: STAINLESS STEEL
PASSIVATED

CENTER CONTACT: BERYLLIUM COPPER
PLATED GOLD

INSULATOR: TEFLON



PART # 73251-0180

PS-89675-2910	ELECTRO/MECH PERFORM
MIL-STD-348A, FIG. 310.2	INTERFACE
SPECIFICATION	DESCRIPTION

CHG: MOVED TO WM,
ADDED RING DIM
EC NO: URF2010-0177
DRWN:JLEE02 2009/09/24
CHKD:SSS 2009/09/24
APPR:JWIENER 2009/09/24

REV	DESCRIPTION
A1	

QUALITY SYMBOLS	GENERAL TOLERANCES (UNLESS SPECIFIED)
▽=0	mm INCH
▽=0	4 PLACES ± --- ± ---
	3 PLACES ± --- ± ---
	2 PLACES ± --- ± ---
	1 PLACE ± --- ± ---
	ANGULAR ± 2 °
	DRAFT WHERE APPLICABLE MUST REMAIN WITHIN DIMENSIONS

DIMENSION STYLE		SCALE	DESIGN UNITS	THIRD ANGLE PROJECTION
MM/IN			METRIC	
DRAWN BY	DATE	TITLE		
EDC	1997/12/10	SMA, JACK RECEPTACLE		
CHECKED BY	DATE	2 HOLE FLANGE MOUNT		
DHG	1997/12/10	SMA-JR/F		
APPROVED BY	DATE	MOLEX INCORPORATED		
GMH	1997/12/10	MATERIAL NO. 732510180		
DOCUMENT NO. SD-73251-018		SHEET NO. 1 OF 1		

THIS DRAWING CONTAINS INFORMATION THAT IS PROPRIETARY TO MOLEX INCORPORATED AND SHOULD NOT BE USED WITHOUT WRITTEN PERMISSION