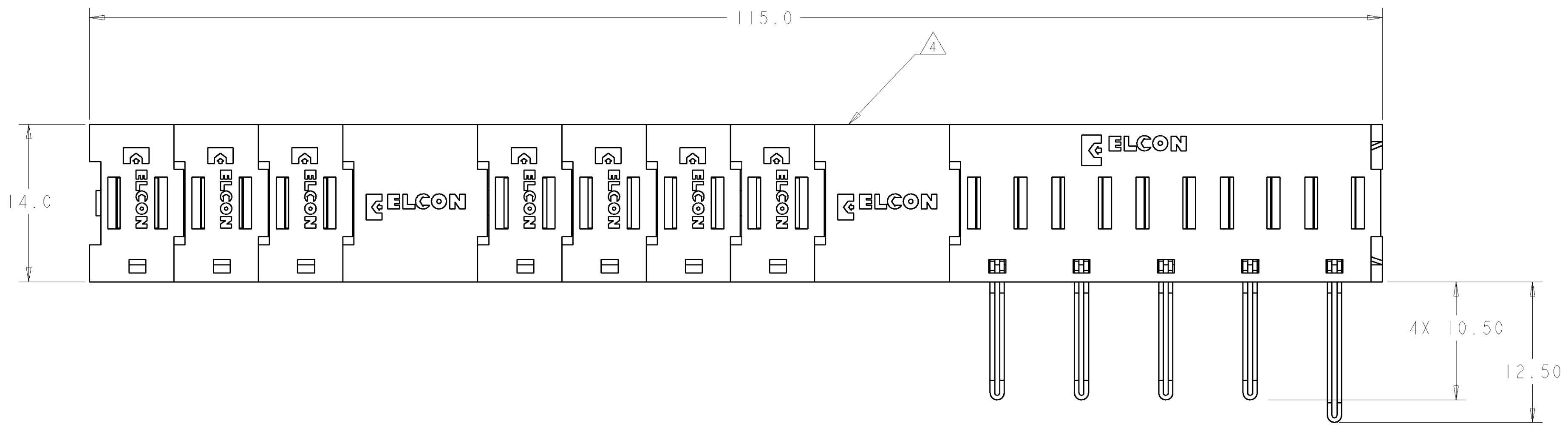


| LOC | DIST | REVISIONS | | | |
|-----|------|-------------|-----------|-----|------|
| P | LTR | DESCRIPTION | DATE | DNW | APVD |
| A | | NEW RELEASE | 02OCT2007 | RG | PD |



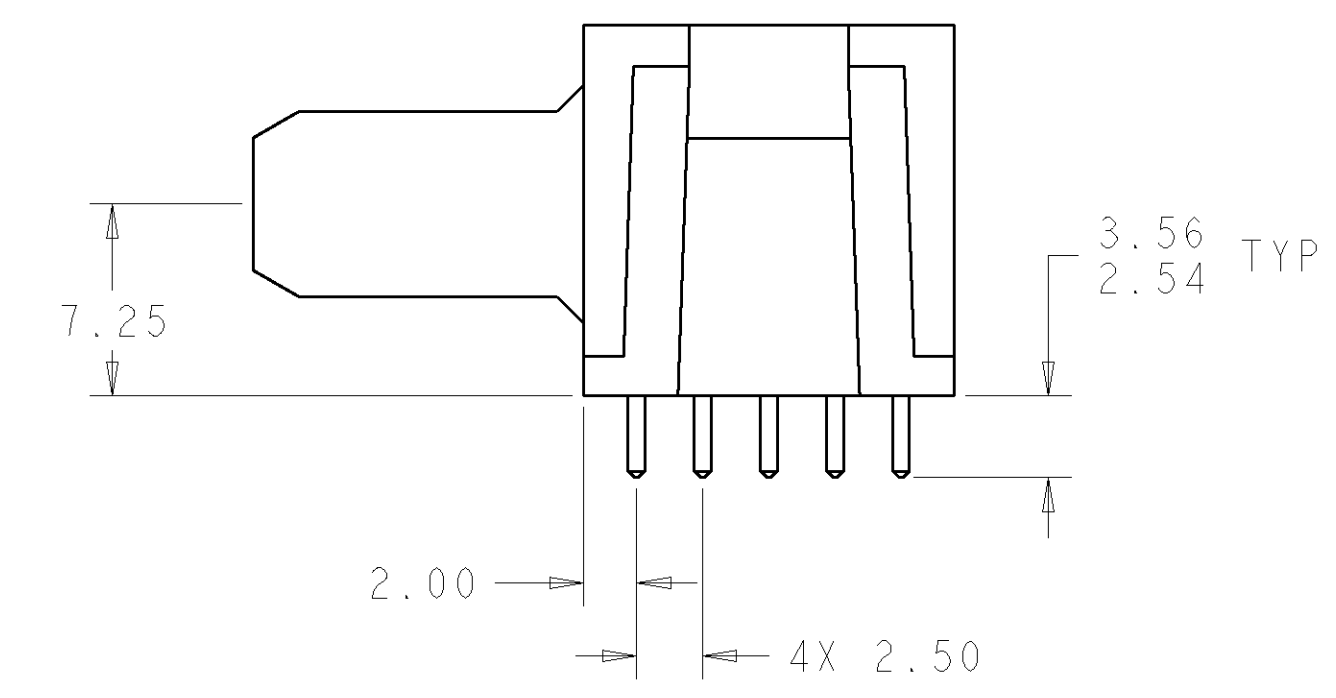
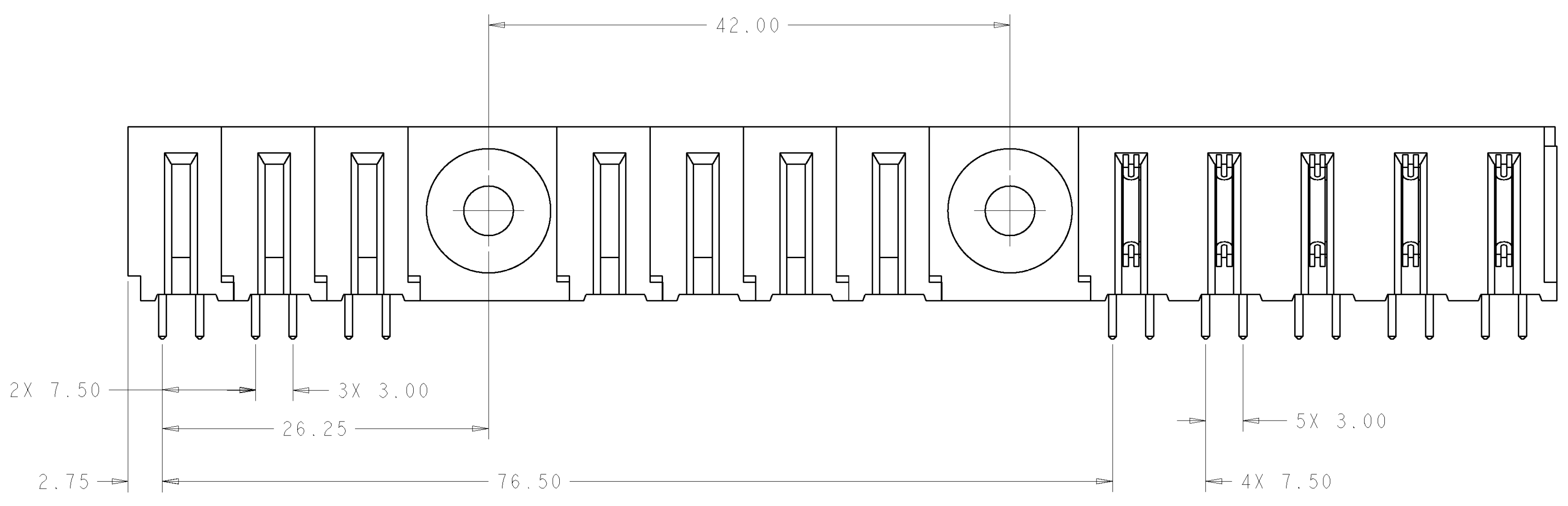
- PART NUMBER CHANGES AND OR DESIGN CHANGES AFFECTING ITEM INTERCHANGEABILITY REQUIRE PRIOR TYCO ELECTRONICS APPROVAL AND AUTHORIZATION BY REVISION TO THIS DRAWING.
- MATERIAL:
 INSULATORS - THERMOPLASTIC, GLASS REINFORCED,
 COLOR: BLACK, UL94V-0 FLAMMABILITY RATED.
 POWER CONTACTS - PHOSPHOR BRONZE ALLOY,
 COPPER ALLOY
 CROWN BAND-BERYLLIUM COPPER ALLOY
- FINISH:
 CONTACTS - GOLD PLATE .76µM MIN. THK., OVER NICKEL
 1.27µM MIN. THK
 SOLDER TAILS, TIN 3.05µM MIN. THK.
 OVER NICKEL 1.27µM MIN THK.

△ ITEMS PROVIDED TO THIS SPECIFICATION TO BE PERMANENTLY IDENTIFIED PER THE FOLLOWING IDENTIFIER LABEL

YEAR WEEK

TYCO ELECTRONICS P/N DATE CODE (e.g. 0T06)

XXXXXXXX-X XXXX



ELCON **FLATPAQ**

| | |
|-------------|-------------|
| AS SHOWN | 6766498-1 |
| DESCRIPTION | PART NUMBER |

| | | | |
|--|--|---|---|
| <small>THIS DRAWING IS UNPUBLISHED. RELEASED FOR PUBLICATION BY TYCO ELECTRONICS CORPORATION. ALL RIGHTS RESERVED.</small> | | DWN R. GRZYBOWSKI ZOC107 ENR P. DAMATO ZOC107 APVD S. FLICKINGER ZOC107 | Tyco Electronics Harrisburg, PA 17105-3608 |
| DIMENSIONS: mm [INCHES] | TOLERANCES UNLESS OTHERWISE SPECIFIED: 0 PLC ±.5 1 PLC ±.5 2 PLC ±.25 3 PLC ±.25 4 PLC ±.25 ANGLES ±.5 | NAME PRODUCT SPEC APPLICATION SPEC | SIZE CAGE CODE DRAWING NO RESTRICTED TO |
| MATERIAL | FINISH | WEIGHT | SCALE 3:1 SHEET 1 OF 3 REV A |
| CUSTOMER DRAWING | | A100779C=6766498 | |

| LOC | DIST | REVISIONS | | | |
|-----|------|-------------|------|-----|------|
| P | LTR | DESCRIPTION | DATE | DNW | APVD |
| - | - | SEE SHEET 1 | - | - | - |
| | | | | | |
| | | | | | |



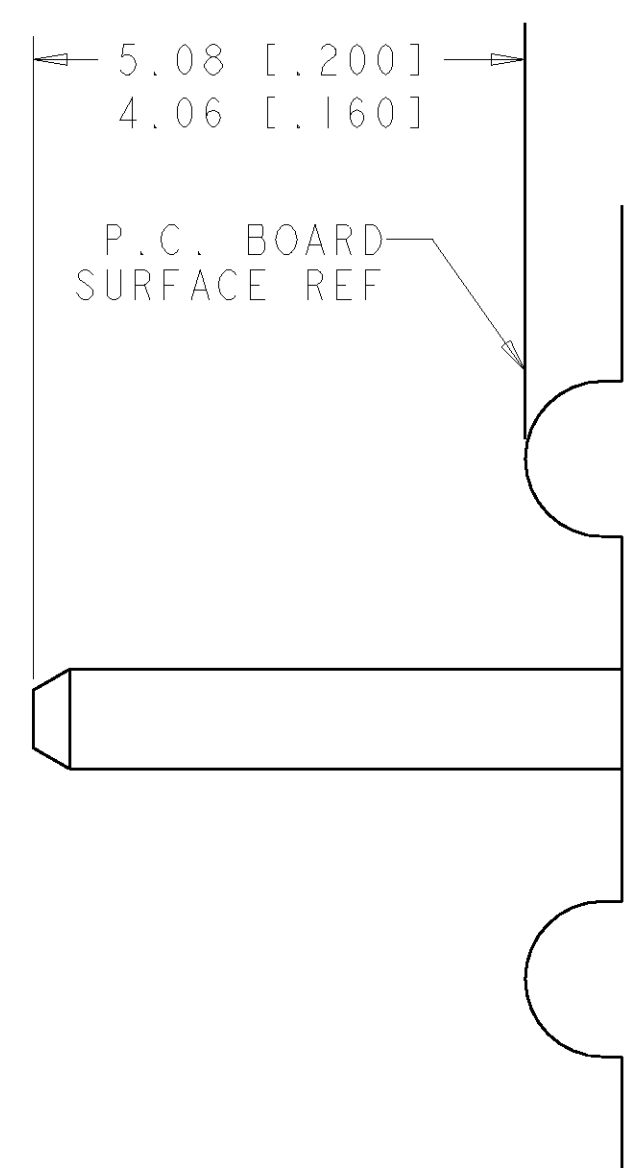
PRINTED CIRCUIT LAYOUT
 COMPONENT SIDE

| CONNECTOR | EQUIVALENT CATALOG MODULE # | MODULE QTY | CONTACT QTY | SIZE NO. | MATING PIN | MAX. CURRENT (PER CONTACT) | CONTACT SPACING | VOLTAGE RATING |
|-----------|-----------------------------|------------|--------------------------|----------|------------------------------|----------------------------|-----------------|----------------|
| PIN | FP105 | 4 | 4 | 8 | 1.25 X 7.00 [.049 X .276] | 35 amps | 7.50 [.2953] | 250 VOLTS |
| | FP106 | 1 | 1 | 8 | 1.25 X 7.00 [.049 X .276] | 35 amps | 7.50 [.2953] | 250 VOLTS |
| | FP104 | 3 | 3 | 8 | 1.25 X 7.00 [.049 X .276] | 35 amps | 7.50 [.2953] | 250 VOLTS |
| | FP512 | 4 | RIGHT ANGLE SPACER | | | | | |
| | FP506 | 2 | RIGHT ANGLE GUIDE SOCKET | | | | | |

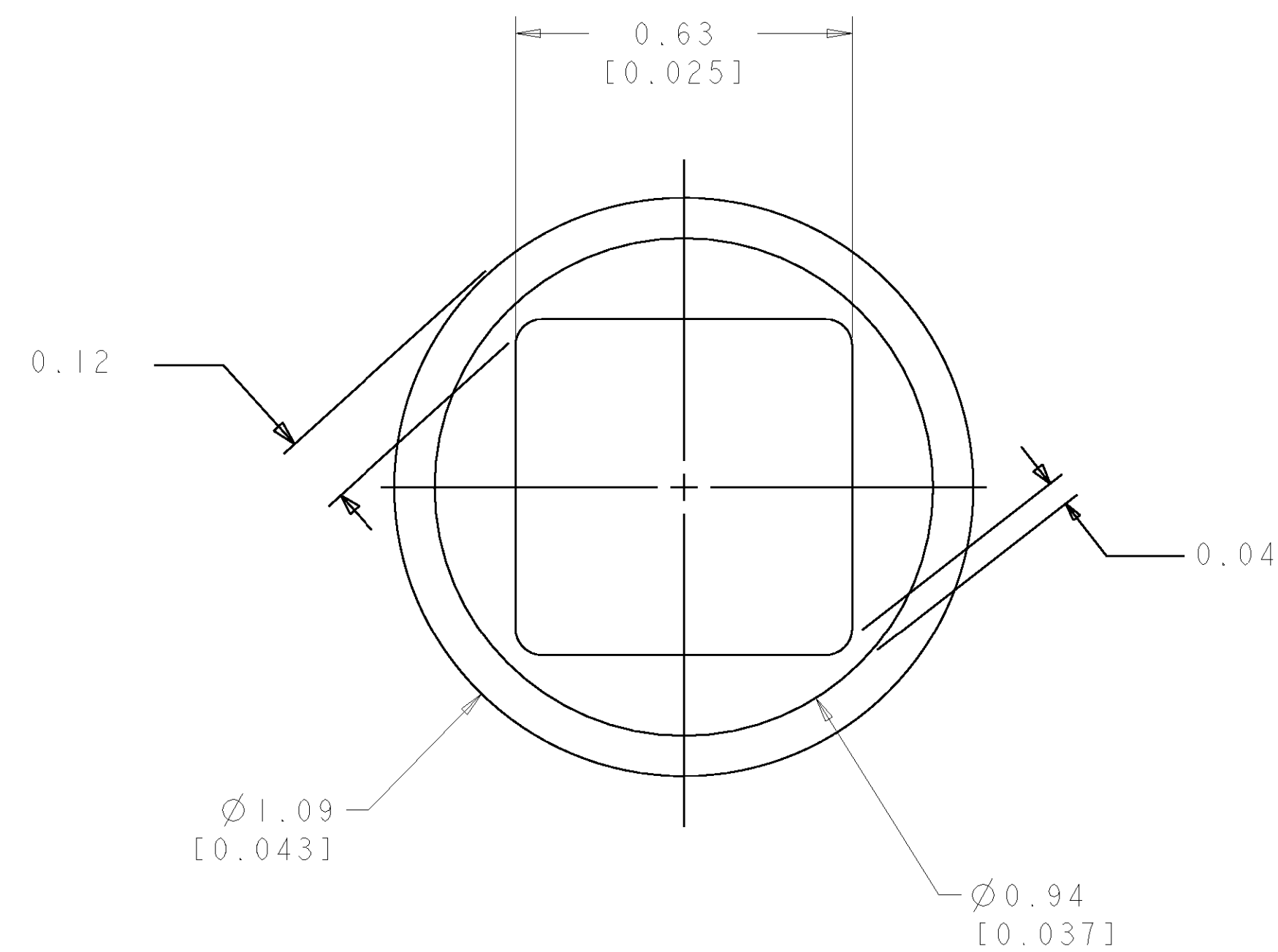
ELCON FLATPAQ

| | | | | | | | |
|------------------------------|--|--|--|---|--|---|--|
| DIMENSIONS: mm [INCHES] | | TOLERANCES UNLESS OTHERWISE SPECIFIED: 0 PLC ±.5 1 PLC ±.5 2 PLC ±.25 3 PLC ±.5 4 PLC ±.5 ANGLES ±.5 | | DWN B. GRZYBOWSKI ZOCT07 ENR P. DAMATO ZOCT07 APVD S. FLICKINGER ZOCT07 | | Tyco Electronics Harrisburg, PA 17105-3608 | |
| MATERIAL - FINISH - | | WEIGHT - CUSTOMER DRAWING | | NAME PIN CONNECTOR, RIGHT ANGLE SOLDER TAILS | | SIZE CAGE CODE DRAWING NO A 100779 C-6766498 | |
| SCALE 3:1 | | SHEET 2 OF 3 | | REV A | | RESTRICTED TO | |

| LOC | DIST | REVISIONS | | | | | |
|-----|------|-----------|-----|-------------|------|-----|------|
| GP | 00 | P. | LTR | DESCRIPTION | DATE | DWN | APVD |
| - | - | - | - | SEE SHEET 1 | - | - | - |
| | | | | | | | |
| | | | | | | | |



5. SOLDER PIN DETAIL
SCALE 10:1



△ SOLDER TERMINATION AREA
 SCALE 40:1
 RECOMMENDED PRINTED CIRCUIT SOLDER HOLE
 FINISHED HOLE: Ø1.02 [.040] ±.08 [.003]
 DRILLED HOLE: Ø1.15 [.0453] ±.013 [.0005]
 COPPER PLATE: .025 [.0010] MIN.
 TIN PLATE: .008 [.0003] MIN. (PER SURFACE)

| | | | | |
|--|--|------------------------------|--|--|
| <small>THE DIMENSIONS OF DIMENSIONS SHOWN ON THIS DRAWING ARE UNLESS OTHERWISE SPECIFIED IN MILLIMETERS OR INCHES. THE DIMENSIONS OF DIMENSIONS SHOWN ON THIS DRAWING ARE UNLESS OTHERWISE SPECIFIED IN MILLIMETERS OR INCHES. THE DIMENSIONS OF DIMENSIONS SHOWN ON THIS DRAWING ARE UNLESS OTHERWISE SPECIFIED IN MILLIMETERS OR INCHES.</small> | | DWN B. GRZYBOWSKI ZOC107 | Tyco Electronics Harrisburg, PA 17105-3608 | |
| DIMENSIONS: mm [INCHES] | | CHK P. DAMATO ZOC107 | NAME PIN CONNECTOR, RIGHT ANGLE SOLDER TAILS | |
| TOLERANCES UNLESS OTHERWISE SPECIFIED: 0 PLC ±.5 1 PLC ±.5 2 PLC ±.25 3 PLC ±.25 4 PLC ±.5 ANGLES ±.5 FINISH | | APVD S. FLICKINGER ZOC107 | PRODUCT SPEC APPLICATION SPEC WEIGHT CUSTOMER DRAWING | |
| MATERIAL FINISH | | SIZE A100779 | CAGE CODE C-6766498 | DRAWING NO 3 OF 3 SCALE 3:1 SHEET 3 OF 3 REV A |