



FCJconnect.com

Copyright FCJ.

Configuration of Documents

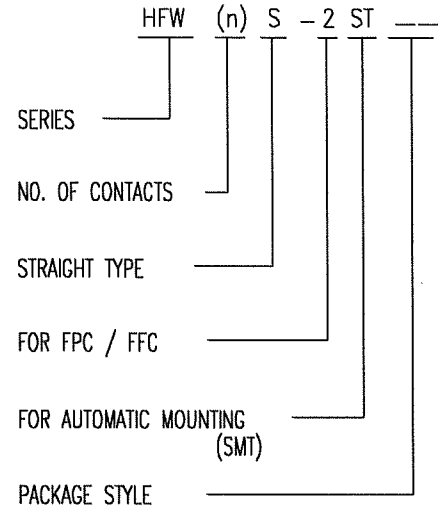
P/N	Documents	No.	Title	CAT. No.
HFWS_S-2STE1	Specification	SC-HFWS01	CONNECTOR USED FOR FPC/FPC WITH 1mm CONTACT SPACING COPING WITH AUTOMATIC MOUNTING & SMT	HFWS_S-2STE1
	Connector dwg.	JSA93586	CAT. NO. TABLE FOR 1mm SPACING SMT CONNECTOR	HFWS_S-2ST
		JSA93585	1mm SPACING SURFACE MOUNT FPC/FPC CONNECTOR	HFWS_S-2ST
	Cable dwg.	JSA93584	CAT. NO. TABLE FOR PLASTIC TAPE PACKAGED 1mm SPACING SMT CONN.	HFWS_S-2STE1
HFWS_S-6STE1	Specification	JSA93588	PLASTIC TAPE PACKAGED 1mm SPACING SMT CONNECTOR	HFWS_S-2STE1
	Connector dwg.	JSA93588	RECOMMENDED CABLE	HFWS_S-2ST
		JSA93587	RECOMMENDED CABLE	HFWS_S-2ST
	Cable dwg.	JSA93587	RECOMMENDED CABLE	HFWS_S-2ST
HFWS_S-6STE1	Specification	SC-HFWS02	CONNECTOR USED FOR CIC WITH 1mm CONTACT SPACING COPING WITH AUTOMATIC MOUNTING & SMT	HFWS_S-6STE1
	Connector dwg.	JSA93940	CAT. NO. TABLE FOR 1mm SPACING SMT CONNECTOR	HFWS_S-6ST
		JSA93941	1mm SPACING SURFACE MOUNT CIC CONNECTOR	HFWS_S-6ST
	Cable dwg.	JSA93942	CAT. NO. TABLE FOR PLASTIC TAPE PACKAGED 1mm SPACING SMT CONN.	HFWS_S-6STE1
HFWS_S-6STE1		JSA93943	PLASTIC TAPE PACKAGED 1mm SPACING SMT CONNECTOR	HFWS_S-6STE1
		JSA93944	RECOMMENDED CABLE	HFWS_S-6ST

mat'l. code				surface 58 ISO 1302		tolerance ISO 406 ISO 1101		projection 		product family 580F		CODE JP	
ltr	ecn no	dr	date	tolerances unless otherwise specified				mm 		title HFWS Documents Cofiguration			
A	J04-0334	H.T	10/13/04	angles	linear			scale X					
B	J06-0435	H.T	10/26/06					FCJ		dwg no JSA 96063		sheet 1 of 1 size A4	
				dr	<i>H. Hoshino</i>	10/26/06				type Product Customer Drawing			
				enr	<i>H. Hoshino</i>	10/26/06							
				chr	<i>R. Shouji</i>	10/26/06							
				appd	<i>S. Nakamura</i>	10/27/06							
sheet index	revision sheet	B	1										Rev. B

CAT. NO. & DIMENSIONS

(NOTE 3)	NO. OF CONTACTS (n)	CAT. NO.	DIMENSIONS (NOTE2)				
			A ± 0.2	B ± 0.2	C ± 0.2	D ± 0.2	E ± 0.2
	4	HFW4S-2ST__	7	5.14	3	—	—
	5	HFW5S-2ST__	8	6.14	4	—	—
	6	HFW6S-2ST__	9	7.14	5	—	—
	7	HFW7S-2ST__	10	8.14	6	—	—
	8	HFW8S-2ST__	11	9.14	7	—	—
	9	HFW9S-2ST__	12	10.14	8	0.35	7.3
	10	HFW10S-2ST__	13	11.14	9	0.35	8.3
	11	HFW11S-2ST__	14	12.14	10	1.35	7.3
	12	HFW12S-2ST__	15	13.14	11	1.35	8.3
	13	HFW13S-2ST__	16	14.14	12	2.35	7.3
	14	HFW14S-2ST__	17	15.14	13	2.35	8.3
	15	HFW15S-2ST__	18	16.14	14	3.35	7.3
	16	HFW16S-2ST__	19	17.14	15	3.35	8.3
	17	HFW17S-2ST__	20	18.14	16	4.35	7.3
	18	HFW18S-2ST__	21	19.14	17	4.35	8.3
	19	HFW19S-2ST__	22	20.14	18	5.35	7.3
	20	HFW20S-2ST__	23	21.14	19	5.35	8.3
	21	HFW21S-2ST__	24	22.14	20	6.35	7.3
	22	HFW22S-2ST__	25	23.14	21	6.35	8.3
	23	HFW23S-2ST__	26	24.14	22	7.35	7.3
	24	HFW24S-2ST__	27	25.14	23	7.35	8.3
	25	HFW25S-2ST__	28	26.14	24	8.35	7.3
	26	HFW26S-2ST__	29	27.14	25	8.35	8.3
	27	HFW27S-2ST__	30	28.14	26	9.35	7.3
	28	HFW28S-2ST__	31	29.14	27	9.35	8.3
	29	HFW29S-2ST__	32	30.14	28	10.35	7.3
	30	HFW30S-2ST__	33	31.14	29	10.35	8.3
*	31	HFW31S-2ST__	34	32.14	30	11.35	7.3
	32	HFW32S-2ST__	35	33.14	31	11.35	8.3
*	33	HFW33S-2ST__	36	34.14	32	12.35	7.3

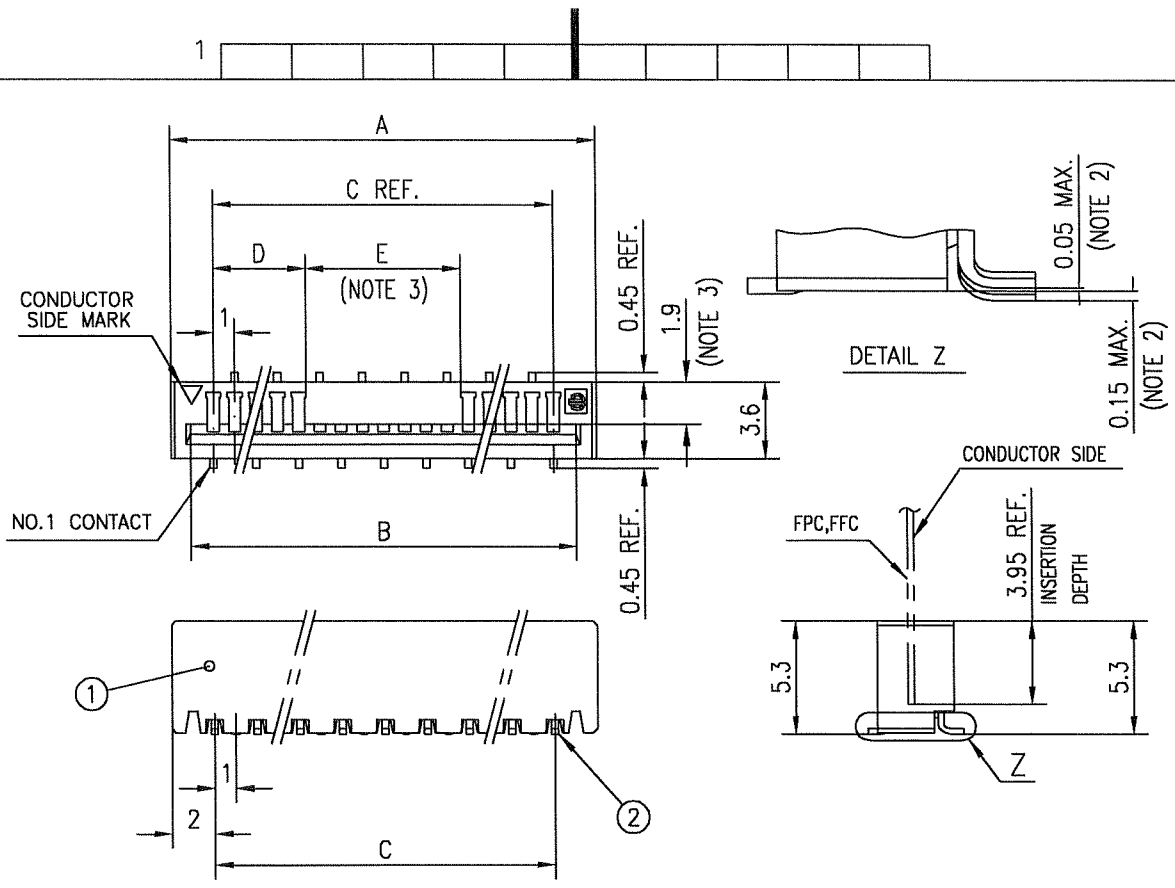
CAT. NO.



NOTES

1. THIS PRODUCT IS THE CONNECTOR DSIGNED TO TERMINATE FPC/FFC AND COPEs WITH AUTOMATIC MOUNTING (SMT).
2. SEE PART DRAWINGS FOR DIMENSIONS A~E.
3. PLEASE CONSULT US IN CASE OF USING PARTS WITH \* MARK.

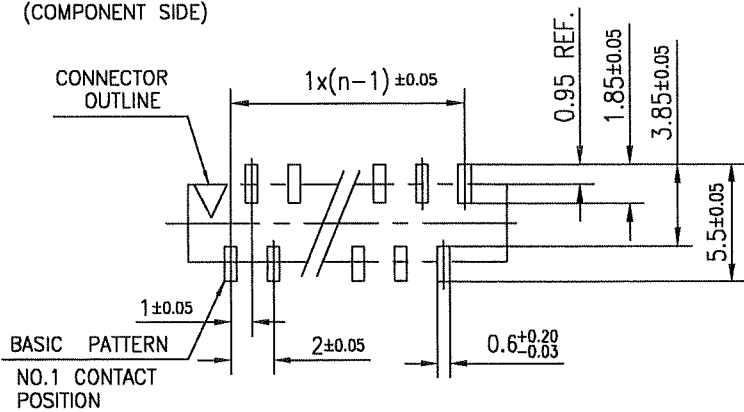
mat'l. code				surface 58 ISO 1302 ✓		tolerance ISO 406 ISO 1101		projection 		product family 580F		CODE JP			
ltr ecn no dr date				tolerances unless otherwise specified								title CAT NO. TABLE FOR 1mm SPACING SMT CONNECTOR (CAT.No.HFW__S-2ST__)			
AA J04-0334 H.T Oct.13,'04				angles linear								mm scale X			
AB J06-0435 H.T 10/26/'06				dr								dwg no sheet 1 of 1 size			
				enr								JSA 93586 A4			
				chr								type Product Customer Drawing			
				appd								Rev. AB			



PT. NO.	PARTS NAME	MATERIAL	Q'TY	NOTE
1	HOUSING	PA6T RESIN GLASS REINFORCED (UL94V-0)	1	COLOR:BLACK
2	CONTACT	PHOSPHOR BRONZE	n	PLATING:TIN ALLOY

n : NO. OF CONTACTS

RECOMMENDED PC BOARD LAYOUT  
(COMPONENT SIDE)



NOTES

1. THIS PRODUCT IS THE CONNECTOR DSIGNED TO TERMINATE FPC/FFC AND COPEs WITH AUTOMATIC MOUNTING (SMT).
2. FLATNESS OF CONTACT TERMINAL MUST BE WITHIN TOLERANCE IN Z PORTION DETAILED DRAWING.
3. THIS DIMENSION IS SPACE FOR THE NOZZLE OF MOUNTER.

mat'l. code				surface 58 / tolerance ISO 1302 ✓ / ISO 406 / ISO 1101		projection		product family 580F		CODE JP		
ltr	ecn no	dr	date	tolerances unless otherwise specified		mm		title				
AA	J04-0334	H.T	Oct.13,'04	angles	linear	mm		1mm SPACING SURFACE MOUNT FPC/FFC CONNECTOR (CAT.No.HFW__S-2ST__)				
AB	J06-0435	H.T	10/26/'06			scale X		dwg no		sheet 1 of 1 size		
				dr	<i>R. Shouh</i>	10/26/06		JSA 93585		A4		
				enr	<i>R. Shouh</i>	10/26/06		type		Product Customer Drawing		
				chr	<i>R. Shouh</i>	10/26/06						
				appd	<i>S. Nudam</i>	10/27/06						
sheet index	revision	AB										Rev. AB
	sheet	1										

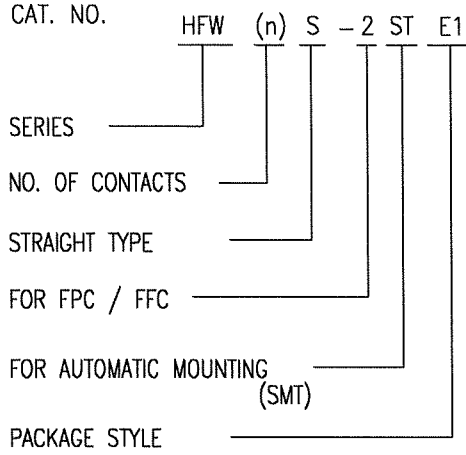


FCIconnect.com

Copyright FCI.

CAT. NO. & DIMENSIONS

(NOTE.4)	NO. OF CONTACTS (n)	CAT. NO. (NOTE2)	DIMENSIONS (NOTE3)		
			F ± 5	G ± 0.3	H ± 0.1
	4	HFW4S-2STE1	28.4	24	—
	5	HFW5S-2STE1	28.4	24	—
	6	HFW6S-2STE1	28.4	24	—
	7	HFW7S-2STE1	28.4	24	—
	8	HFW8S-2STE1	28.4	24	—
	9	HFW9S-2STE1	28.4	24	—
	10	HFW10S-2STE1	28.4	24	—
	11	HFW11S-2STE1	28.4	24	—
	12	HFW12S-2STE1	28.4	24	—
	13	HFW13S-2STE1	28.4	24	—
	14	HFW14S-2STE1	36.4	32	28.4
	15	HFW15S-2STE1	36.4	32	28.4
	16	HFW16S-2STE1	36.4	32	28.4
	17	HFW17S-2STE1	36.4	32	28.4
	18	HFW18S-2STE1	48.4	44	40.4
	19	HFW19S-2STE1	48.4	44	40.4
	20	HFW20S-2STE1	48.4	44	40.4
	21	HFW21S-2STE1	48.4	44	40.4
	22	HFW22S-2STE1	48.4	44	40.4
	23	HFW23S-2STE1	48.4	44	40.4
	24	HFW24S-2STE1	48.4	44	40.4
	25	HFW25S-2STE1	48.4	44	40.4
	26	HFW26S-2STE1	48.4	44	40.4
	27	HFW27S-2STE1	48.4	44	40.4
	28	HFW28S-2STE1	48.4	44	40.4
	29	HFW29S-2STE1	60.4	56	52.4
	30	HFW30S-2STE1	60.4	56	52.4
*	31	HFW31S-2STE1	60.4	56	52.4
	32	HFW32S-2STE1	60.4	56	52.4
*	33	HFW33S-2STE1	60.4	56	52.4



NOTES

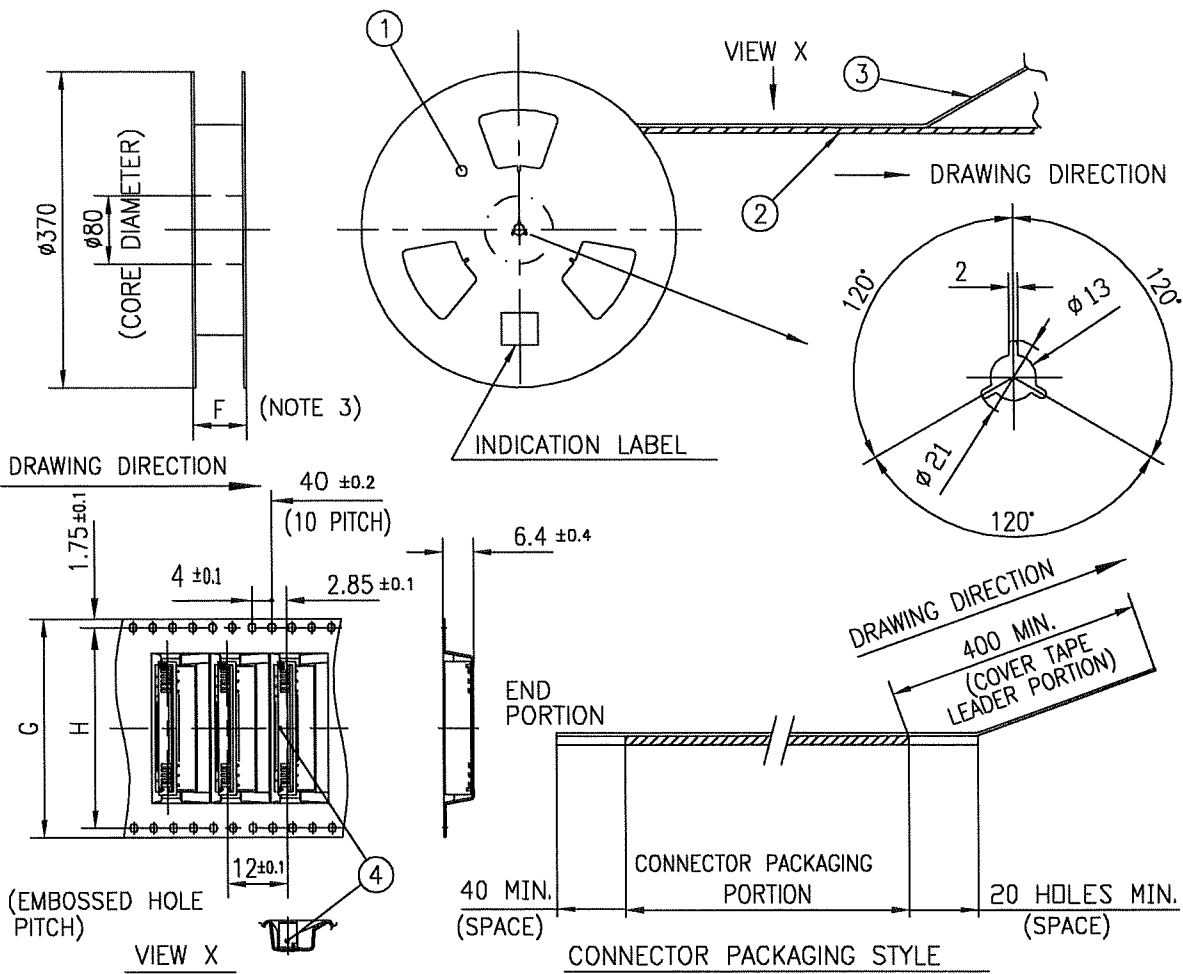
1. THIS PRODUCT IS THE CONNECTOR DESIGNED TO TERMINATE FPC/FFC AND COPES WITH AUTOMATIC MOUNTING (SMT).
2. THIS CATALOG NO. INDICATES PLASTIC TAPE PACKAGED CONNECTOR.
3. SEE PART DRAWINGS FOR DIMENSIONS F~H.
4. PLEASE CONSULT US IN CASE OF USING PARTS WITH \* MARK.



FCIconnect.com

Copyright FCI.

mat'l. code		surface 58 / tolerance ISO 406 / ISO 1101		projection		product family 580F		CODE JP	
ltr	ecn no	dr	date	tolerances unless otherwise specified		title		CAT. NO. TABLE FOR PLASTIC TAPE PACKAGED 1mm SPACING SMT CONN. (CAT.No.HFW__S-2STE1)	
AA	J04-0334	H.T	Oct.13,'04	angles	linear	mm		dwg no sheet 1 of 1 size	
AB	J06-0435	H.T	10/26/'06			scale X		JSA 93584 A4	
		dr	<i>H. J. J. 10/26/06</i>			FCI		type Product Customer Drawing	
		enr	<i>H. J. J. 10/26/06</i>					Rev. AB	
		chr	<i>R. Brown 10/26/06</i>						
		appd	<i>S. Madam 10/27/06</i>						
sheet index	revision sheet	AB	1						



PT. NO.	PARTS NAME	CAT. NO.	MATERIAL	Q'TY	NOTE
1	REEL	_____	CARDBOARD	1	COLOR:GRAY
2	PLASTIC (EMBOSSED) TAPE	_____	PET	_____	COLOR:TRANSPARENCY
3	COVER	_____	POLYESTER	_____	COLOR:TRANSPARENCY
4	CONNECTOR	HFWS__S-2ST__	SEE ATTACHED DWG.	1000	_____

NOTES

1. THIS IS PLASTIC TAPE PACKAGED CONNECTOR USED FOR FPC/FFC AND COPES WITH AUTOMATIC MOUNTING (SMT).
2. SEE JIS C 0806 (PACKING OF ELECTRONIC COMPONENTS ON CONTINUOUS TAPES (SURFACE MOUNTING DEVICES)) FOR SHAPE AND DIMENSIONS OF PLASTIC (EMBOSSED) TAPE AND REEL.
3. F DIMENSION IS PORTION OF THE CORE.

mat'l. code				surface 58 / tolerance ISO 1302 / ISO 406 / ISO 1101		projection		product family 580F		CODE JP	
ltr ecn no dr date				tolerances unless otherwise specified		mm		title			
AA J04-0334 H.T Oct.13,'04				angles linear		mm		PLASTIC TAPE PACKAGED 1mm SPACING SMT CONNECTOR (CAT.No.HFWS__S-2STE1)			
AB J06-0435 H.T 10/26/'06				±5'		scale X		dwg no sheet 1 of 1 size			
				dr		FCJ		JSA 93583 A4			
				enr				type Product Customer Drawing			
				chr							
				appd							
sheet index		revision AB								Rev. AB	
1		1									

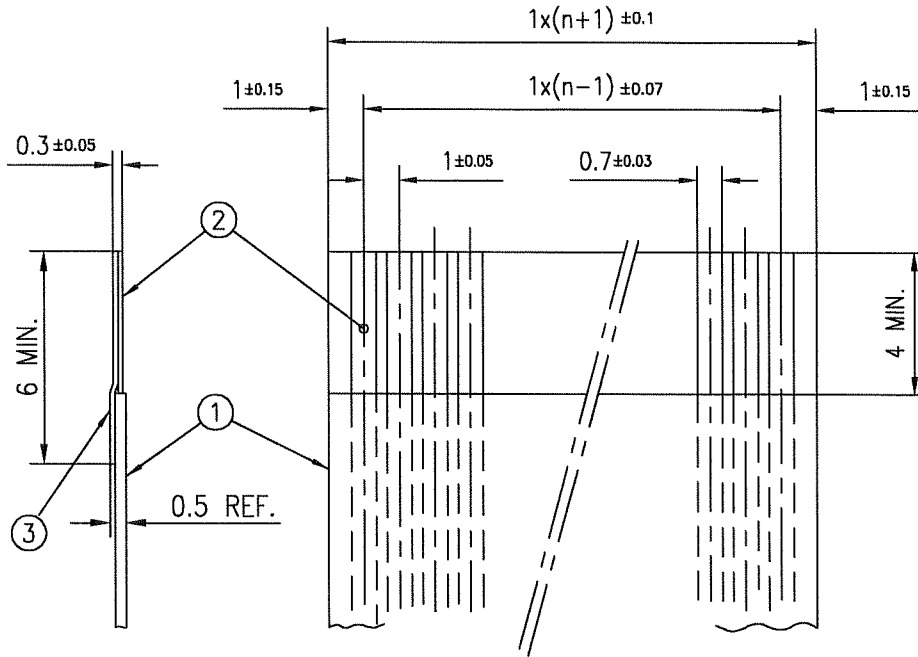


FCIconnect.com

Copyright FCI.

RECOMMENDED CABLE (FFC)

n : NO. OF CONDUCTOR



PT. NO.	DESCRIPTION	MATERIAL	NOTE
1	INSULATOR	FLAME RESISTING POLYESTER OR EQUIVALENT	_____
2	CONDUCTOR	COPPER FOIL	PLATING: TIN OR SOLDER 1 μm MIN.
3	SUPPORTING TAPE	FLAME RESISTING POLYESTER OR EQUIVALENT	_____

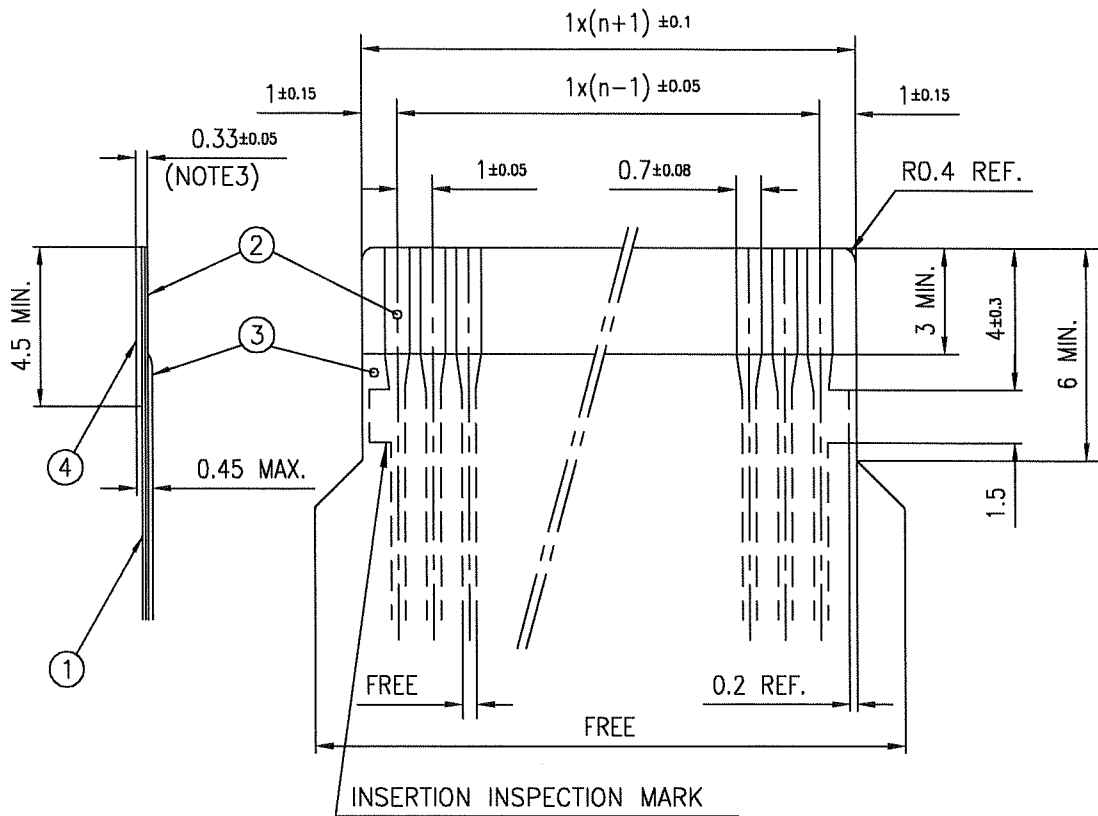
NOTES

1. NO BURR AT EACH PORTION.
2. NO PEELING IN COMMON USE.

mat'l. code				surface 58 / tolerance ISO 1302 ✓ ISO 406 ISO 1101		projection		product family 580F		CODE JP	
ltr	ecn no	dr	date	tolerances unless otherwise specified				title			
AA	J04-0334	H.T	Oct.13,'04	angles	linear	mm		RECOMMENDED CABLE (CAT.No.HFW__S-2ST__)			
AB	J06-0435	H.T	10/26/'06			scale X		dwg no		sheet 1 of 1 size	
				dr	<i>K. Hoshino</i>	<i>10/26/06</i>			JSA 93588		A4
				enr	<i>K. Hoshino</i>	<i>10/26/06</i>					
				chr	<i>R. Shoyji</i>	<i>10/24/06</i>					
				appd	<i>S. Madam</i>	<i>10/27/06</i>					
sheet index	revision sheet	AB	1					type Product Customer Drawing		Rev. AB	

RECOMMENDED CABLE (FPC)

n : NO. OF CONDUCTORS



PT. NO.	DISCRIPTION	MATERIAL	THICKNESS ( $\mu\text{m}$ )
1	BASE FILM	POLYIMIDE OR POLYESTER OR EQUIVALENT	25
2	CONDUCTOR	COPPER FOIL(PLATING : SOLDER $1\mu\text{m}$ MIN.)	35
3	OVERLAY	POLYIMIDE OR POLYESTER OR EQUIVALENT	—
4	SUPPORTING TAPE	POLYESTER OR POLYIMIDE OR EQUIVALENT	188

NOTES

1. NO BURR AT EACH PORTION.
2. NO PEELING IN COMMON USE.
3. TOTAL THICKNESS LIMIT OF EACH MATERIAL (INCLUDING ADHESIVE AGENT) IS SPECIFIED.

mat'l. code				surface 58 / tolerance ISO 1302 <input checked="" type="checkbox"/> ISO 406 ISO 1101		projection		product family 580F		CODE JP		
ltr	ecn no	dr	date	tolerances unless otherwise specified				title				
AA	J04-0334	H.T	Oct.13,'04					RECOMMENDED CABLE				
AB	J06-0435	H.T	10/26/'06	angles	linear	mm		(CAT.No.HFW__S-2ST__)				
						scale $\times$						
				dr	10/26/06				dwg no		sheet 1 of 1	size
				enr	10/26/06				JSA 93587		A4	
				chr	10/26/06							
				appd	10/27/06							
sheet index		revision sheet	AB 1									Rev. AB