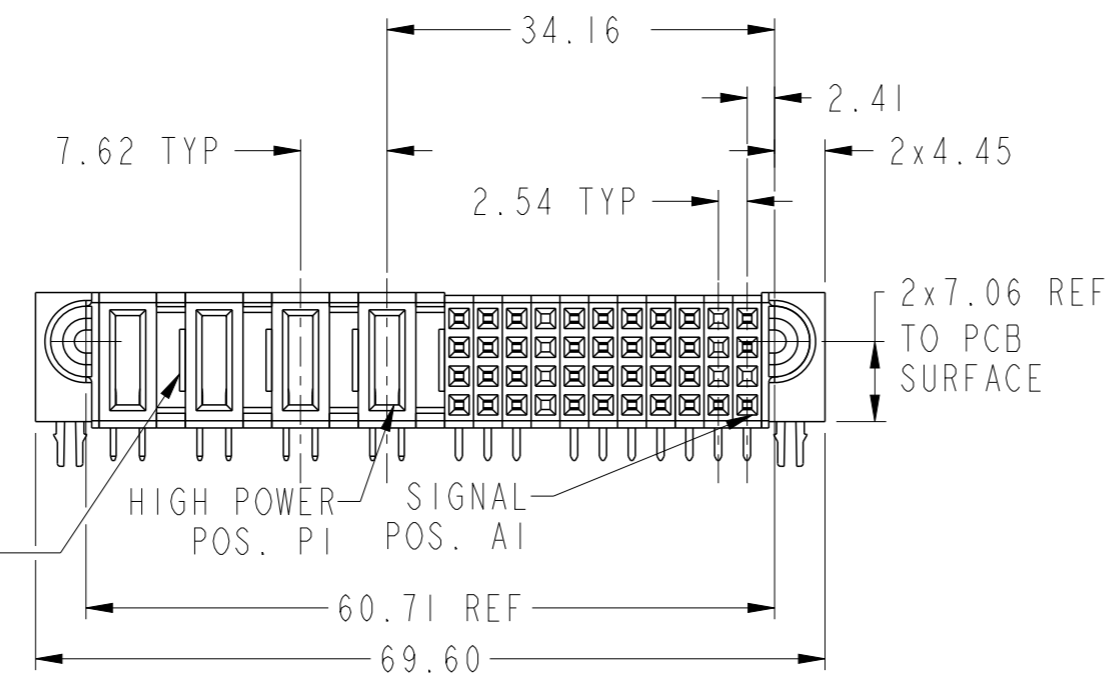
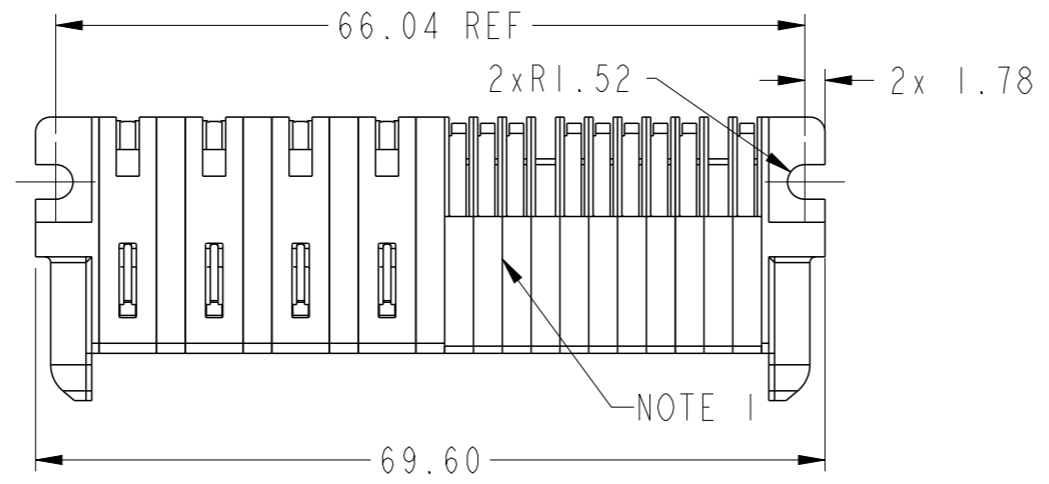
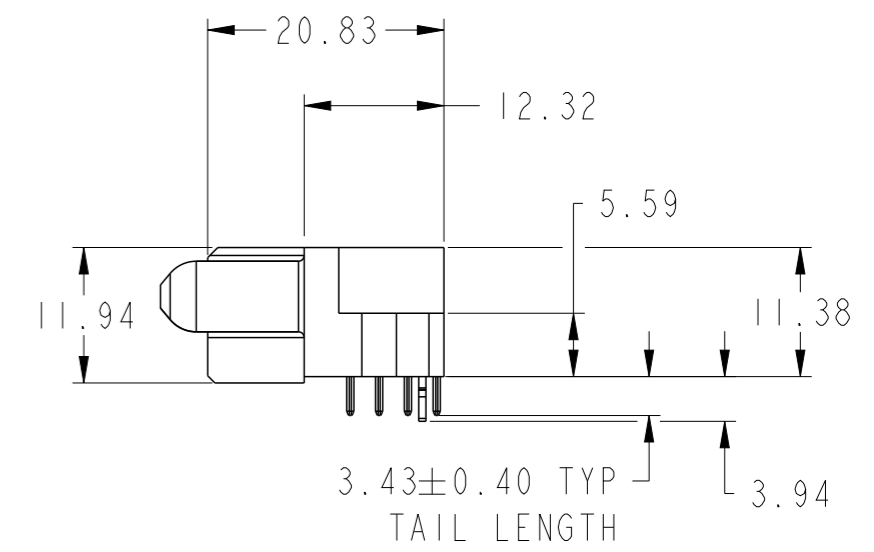
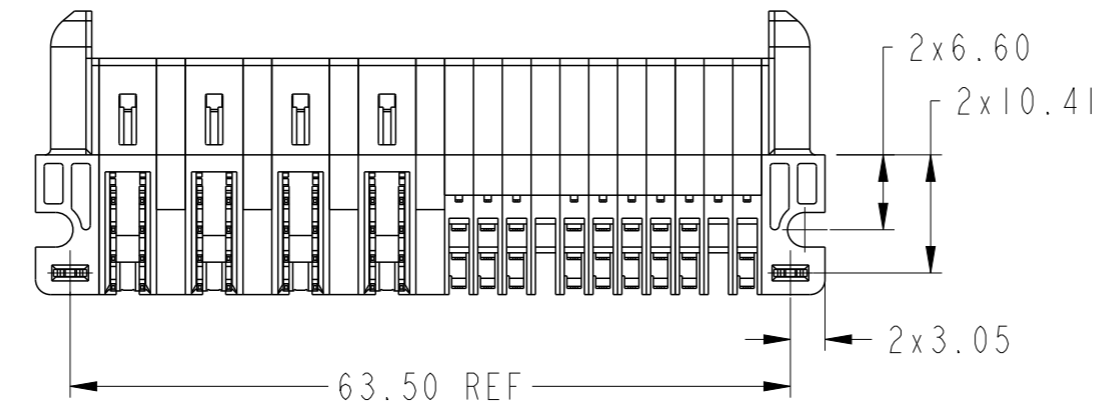


PRODUCT NUMBER SEE SHEET 2



VOID CORING OPTION, TYP SEE NOTE 9

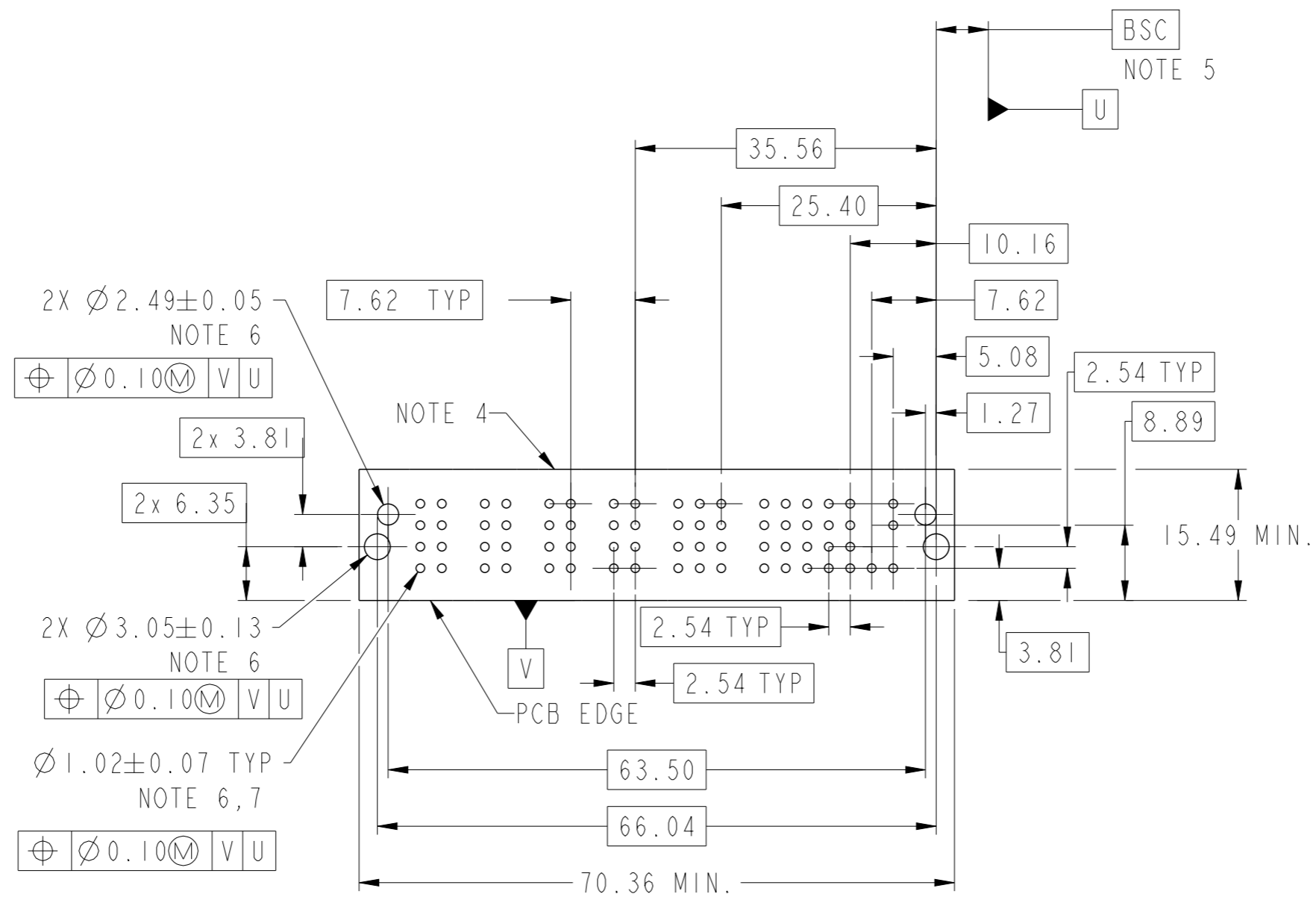


Copyright FCI.

spec ref	*	dr	Rainbow Zhan	2014/06/12	projection	MM	size	A3	scale	3:2													
tolerance std	ASME Y14.5	eng	Rainbow Zhan	2014/07/03			ecn no	-	rel level	Released													
TOLERANCES UNLESS OTHERWISE SPECIFIED		chr	Li-He	2014/07/03																			
surface	<table border="1"> <tr> <td>linear</td> <td>0.X</td> <td>±0.5</td> </tr> <tr> <td></td> <td>0.XX</td> <td>±0.25</td> </tr> <tr> <td></td> <td>0.XXX</td> <td>±0.10</td> </tr> <tr> <td>angular</td> <td>0°</td> <td>±2°</td> </tr> </table>	linear	0.X	±0.5		0.XX	±0.25		0.XXX	±0.10	angular	0°	±2°	appr	Pei-Ming Zheng	2014/07/03	product family	PwrBlade+	rel level	Released			
linear	0.X	±0.5																					
	0.XX	±0.25																					
	0.XXX	±0.10																					
angular	0°	±2°																					
ASME Y14.5	<table border="1"> <tr> <td>linear</td> <td>0.X</td> <td>±0.5</td> </tr> <tr> <td></td> <td>0.XX</td> <td>±0.25</td> </tr> <tr> <td></td> <td>0.XXX</td> <td>±0.10</td> </tr> <tr> <td>angular</td> <td>0°</td> <td>±2°</td> </tr> </table>	linear	0.X	±0.5		0.XX	±0.25		0.XXX	±0.10	angular	0°	±2°			title	44S + 4ACP		dwg no	10106118-4011001		rev	A
linear	0.X	±0.5																					
	0.XX	±0.25																					
	0.XXX	±0.10																					
angular	0°	±2°																					
		www.fci.com		cat. no.	Product - Customer Drw		sheet 1 of 3																

PRODUCT NO. 10106118-4011001LF	ROWS DCBA	HIGH POWER				SIGNAL											E1	E2
		P4	P3	P2	P1	11	10	9	8	7	6	5	4	3	2	1		

CODE	DESCRIPTION
E	STD SIGNAL CONTACT, ROW A
F	STD SIGNAL CONTACT, ROW B
G	STD SIGNAL CONTACT, ROW C
H	STD SIGNAL CONTACT, ROW D
H3	STD HIGH POWER CONTACT(3.43)
HA	METAL HOLD DOWN



dr	Rainbow Zhan	2014/06/12	projection	MM	size	A3	scale	3:2
eng	Rainbow Zhan	2014/07/03			ecn no		-	
chr	Li-He	2014/07/03			rel level		Released	
appr	Pei-Ming Zheng	2014/07/03	product family		PwrBlade+		-	
			title 44S + 4ACP RA STB RECEPTACLE			dwg no 10106118-4011001		rev A
www.fci.com			cat. no.		Product - Customer Drw		sheet 2 of 3	

Copyright FCI.

A

B

C

D

A

B

C

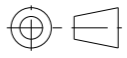
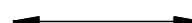

D

NOTES:

- 1) "FCI", PART NUMBER AND DATE CODE TO BE MARKED ON THIS SURFACE.
THE MARK CAN BE OMITTED IF THERE IS NOT ENOUGH SPACE ON THIS SURFACE.
- 2) MATERIALS:
-HOUSING - GLASS FILLED WITH HIGH TEMP THERMOPLASTIC, UL94V-0.
-SIGNAL CONTACT - COPPER ALLOY.
-POWER CONTACT - HIGH CONDUCTIVITY COPPER ALLOY.
- 3) PLATING SPECIFICATION REFER TO FCI 10116351
- 4) DENOTES CONNECTOR KEEP OUT ZONE.
- 5) DATUM AND BASIC DIMENIONS WERE ESTABLISHED BY CUSTOMER.
- 6) ALL HOLE DIAMETERS ARE FINISHED HOLE SIZES.
- 7) 1.15 ± 0.025 MM DRILLED HOLE PLATED WITH 0.00762 MM MIN Sn
OVER $0.0254-0.0762$ MM Cu PLATING TO ACHIEVE A 1.02 ± 0.07 MM HOLE.
- 8) PRODUCT SPECIFICATION REFER TO FCI GS-12-658.
APPLICATION SPECIFICATION REFER TO FCI GS-20-141.
PRODUCT PACKAGED IN TRAYS, REFER TO FCI GS-14-1502.
- 9) THE VOID CORING IN BETWEEN POWER MODULES, SIGNAL
MODULES AND END MODULES ARE OPTIONAL AND THE SHAPE
MAY BE DIFFERENT FOR OPTIMIZE THE MOLDING PROCESS. THE
VOID CORING WILL NOT EFFECT TO PRODUCT FUNCTION.



Copyright FCI.

dr	Rainbow Zhan	2014/06/12	projection 	MM 	size	A3	scale	3:2
eng	Rainbow Zhan	2014/07/03			ecn no	-		
chr	Li-He	2014/07/03			product family	PwrBlade+	rel level	Released
appr	Pei-Ming Zheng	2014/07/03						
		title 44S + 4ACP RA STB RECEPTACLE			dwg no 10106118-4011001	rev A		
www.fci.com		cat. no.	Product - Customer Drw		sheet 3 of 3			