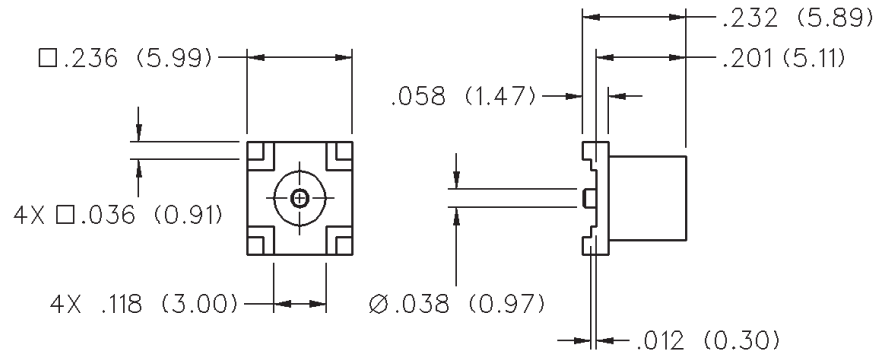


MCX 50 Ohm Straight Jack Receptacle - Surface Mount



INCHES (MILLIMETERS)
CUSTOMER DRAWINGS AVAILABLE UPON REQUEST



GOLD PLATED	TIN PLATED	PACKAGING
133-3711-211	133-3711-217	STOCK
133-3711-212	133-3711-218	TAPE AND REEL 750 pcs/reel

Tape and Reel $.472$ (12.0) component pitch X $.630$ (16.0) wide.

Recommended Land Pattern

