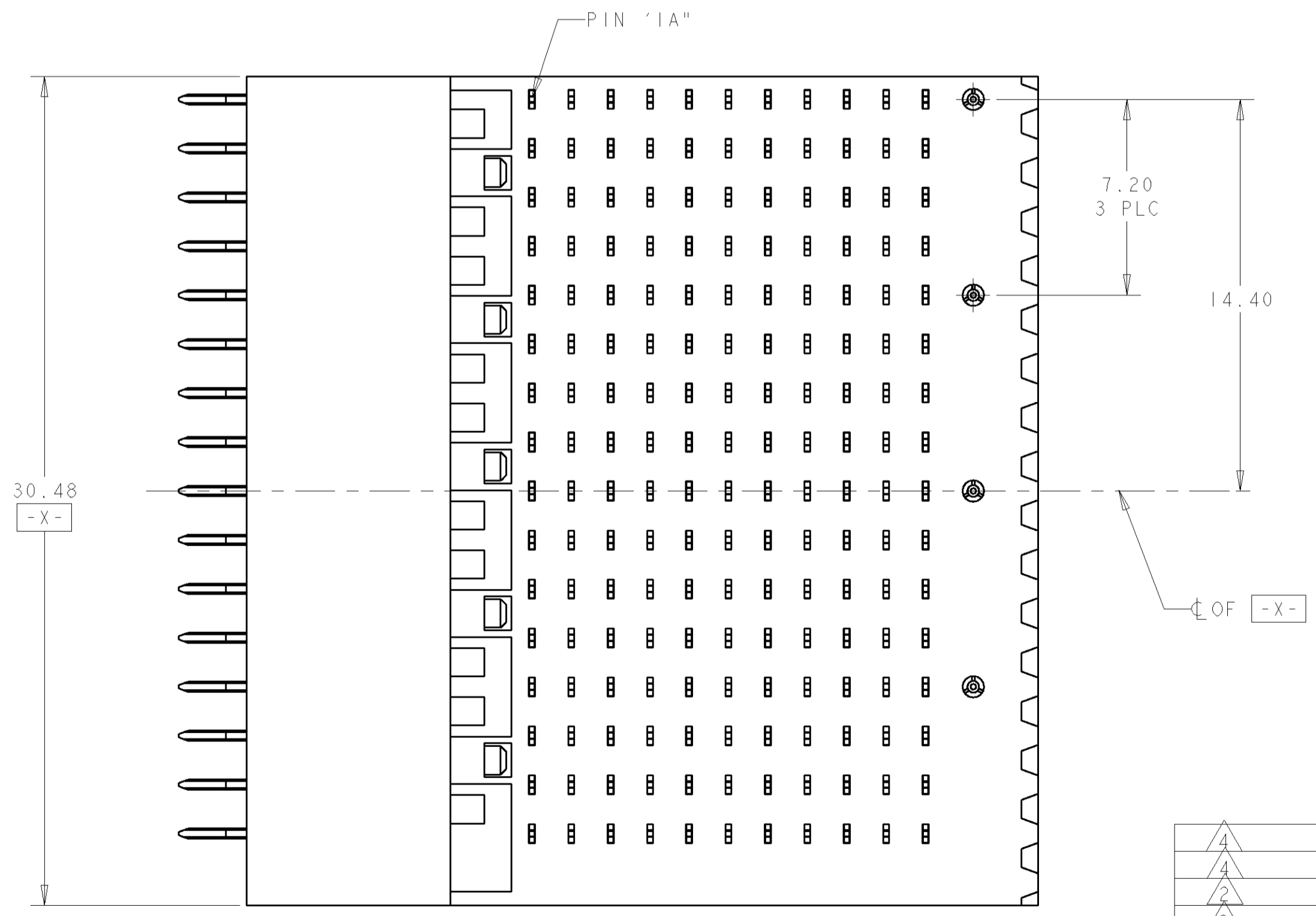
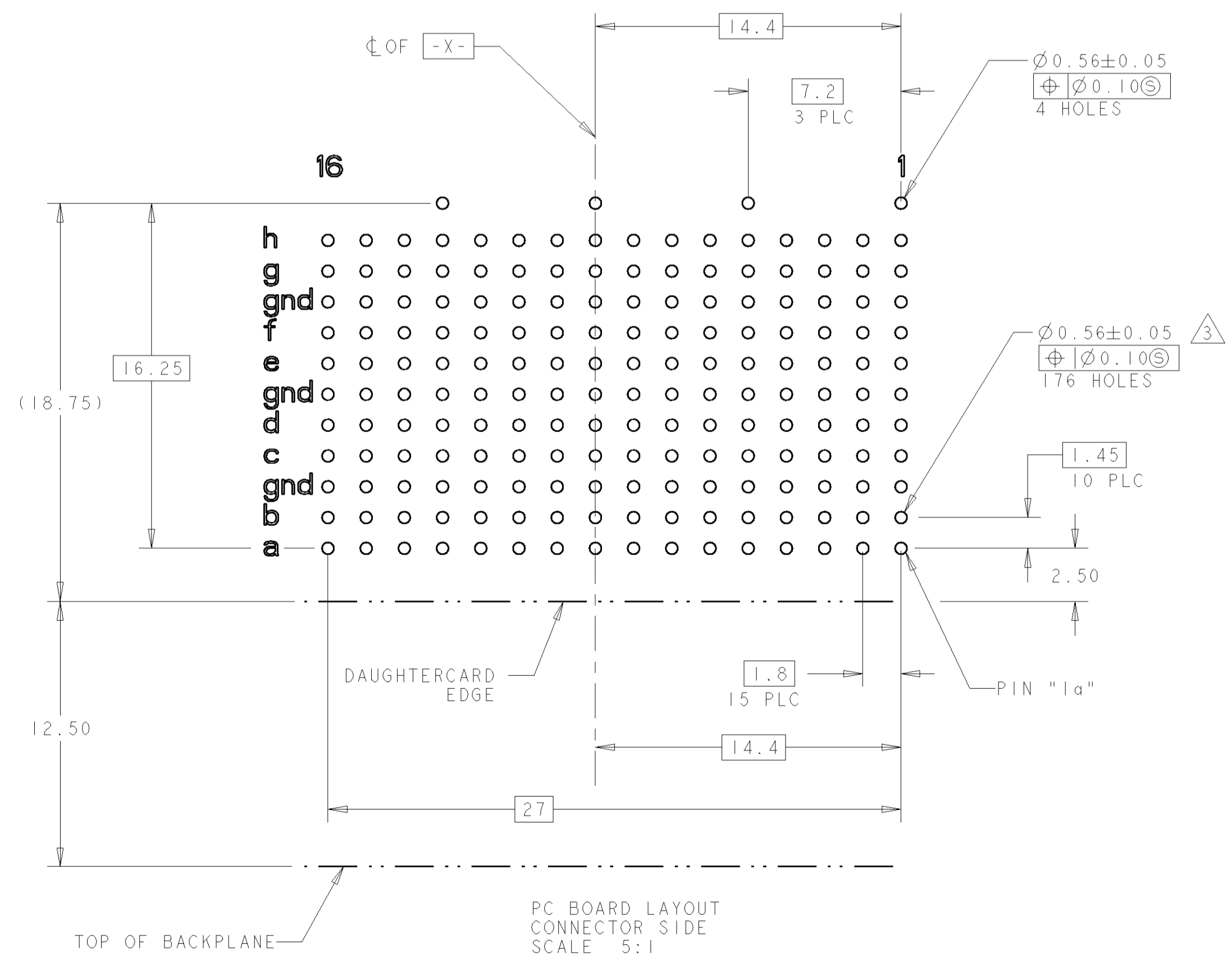
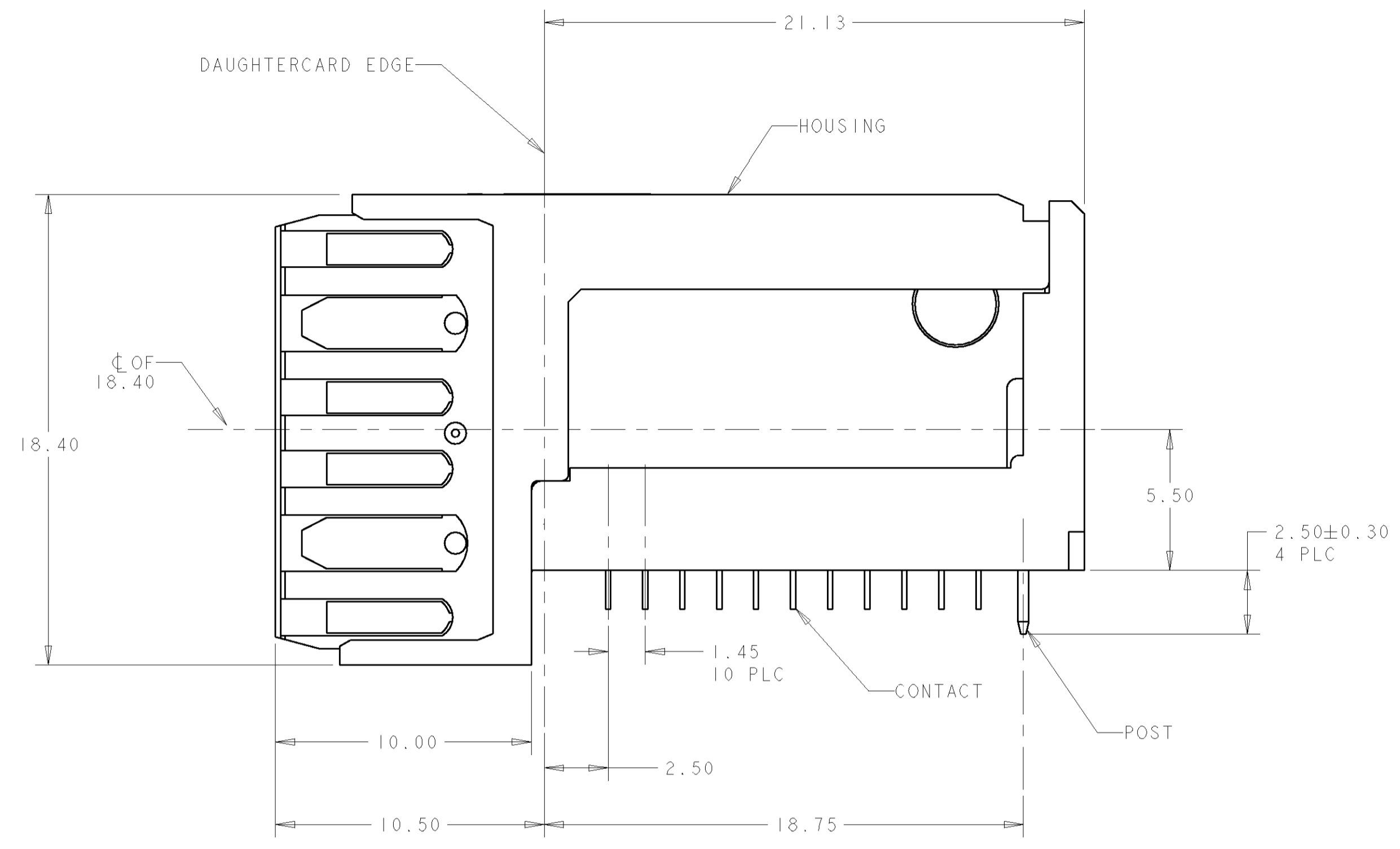
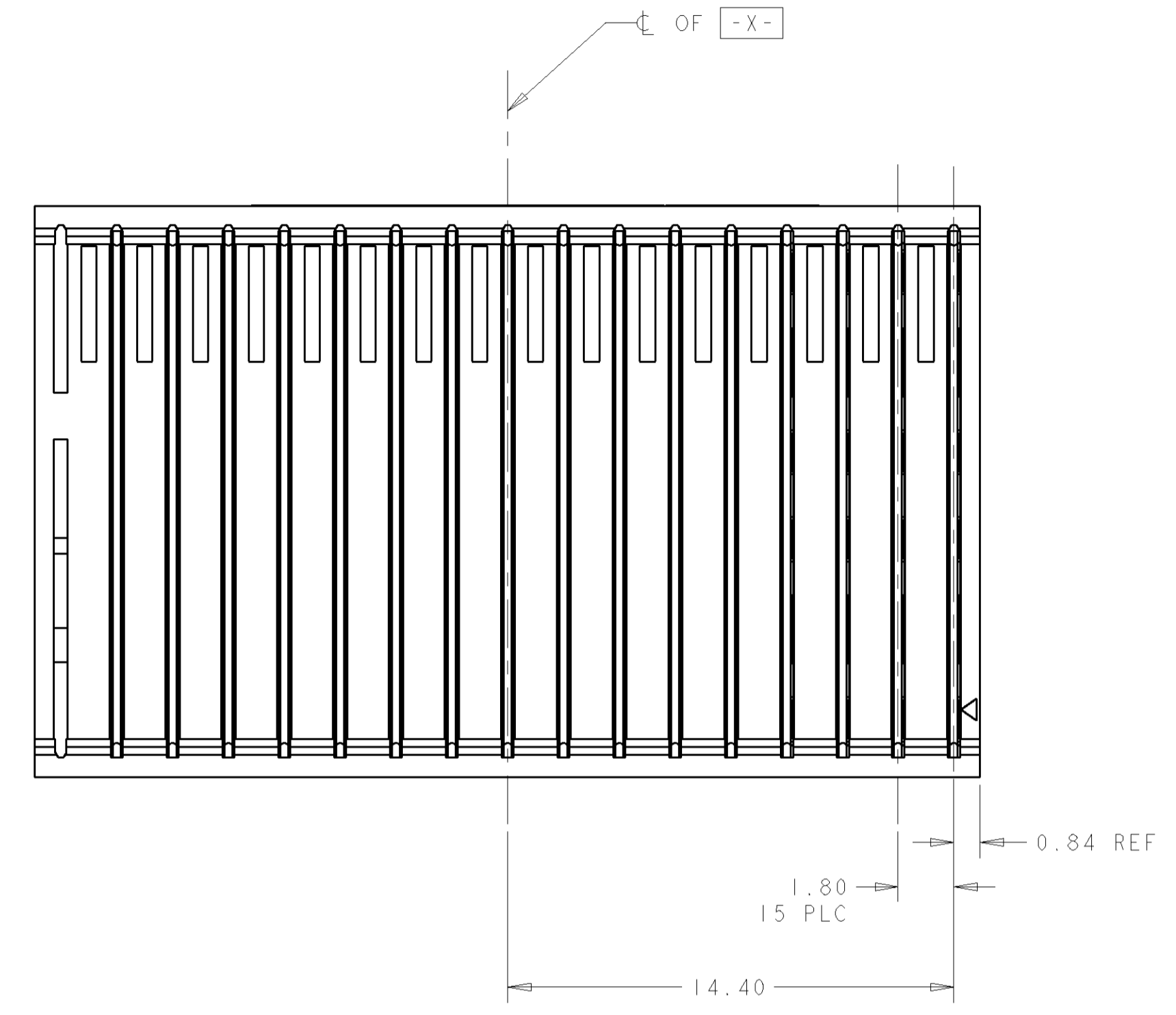


LOC	DIST	REV	DESCRIPTION	DATE	BY	APPD
AD	00	A	EC 0512-0341-04	29JUL2004	BW	GG

- 1 HOUSING: LCP, UL94V-0, BLACK.
CONTACT: PHOSPHOR BRONZE.
POST: BRASS WIRE.
- 2 CONTACT: 0.76 μm GOLD PER ASTM B 488 IN CONTACT AREA,
1.27 μm MIN TIN-LEAD ON PCB TAIL,
OVER 1.27 μm MIN NICKEL PER SAE AMS-QQ-N-290 OVER ALL.
POST: 1.27 μm MIN NICKEL.
- 3 MANUFACTURING TOLERANCE FOR A Ø0.56±0.05 FINISHED HOLE.
DRILLED HOLE: Ø0.65±0.02
COPPER PLATE: 0.050-0.025
TIN/LEAD PLATE: 0.0124-0.0038
- 4 CONTACT: 0.76 μm GOLD PER ASTM B 488 IN CONTACT AREA,
1.27 μm MIN MATTE TIN PER ASTM B 545 ON PCB TAIL,
OVER 1.27 μm MIN NICKEL PER SAE AMS-QQ-N-290 OVER ALL.
POST: 1.27 μm MIN NICKEL.
- 5 MANUFACTURING TOLERANCE FOR A Ø0.575 ±0.045 FINISHED HOLE WITHOUT TIN LEAD PLATING:
DRILLED HOLE: Ø0.65 ±0.02
COPPER PLATING: 0.025 - 0.050



REV	DESCRIPTION	PART NO
4	DIFFERENTIAL, NONSEQUENTIAL	1410207-4
4	SINGLE END, NONSEQUENTIAL	1410207-3
2	DIFFERENTIAL, NONSEQUENTIAL	1410207-2
2	SINGLE END, NONSEQUENTIAL	1410207-1

DIMENSIONS: mm TOLERANCES UNLESS OTHERWISE SPECIFIED: 0 PLC ± 1 PLC ±0.13 2 PLC ±0.013 3 PLC ± 4 PLC ± ANGLES ±1° FINISH		DWN: TREA 21FEB2003 CHK: D.DEFIBAUGH 21FEB2003 APVD: D.DEFIBAUGH 21FEB2003 PRODUCT SPEC: 108-2072 APPLICATION SPEC: 114-13056 WEIGHT: - CUSTOMER DRAWING	Tyeo Electronics Harrisburg, PA 17105-3608 AMP NAME: RIGHT ANGLE PLUG ASSEMBLY, RIGHT END, FULL, 20.3mm, MultiGig RT 1, DAUGHTERCARD CONNECTOR SIZE: 00779 SCALE: 8:1 SHEET: 1 OF 1 REV: A
--	--	--	--