



## Platoshear Cutter

170

Plato shears have a thin profile designed for those hard-to-reach areas in electronic assembly. Assemblers love the effortless shearing action, comfort, light weight, and safety for electronics lead and wire cutting. Platoshears use the shear cutting method, which requires 50% less operator effort and extends cutting life because they shear rather than pinch. Handles are cushioned for day long comfort, and automatically spring back to their original position after each use.



[Request More Info](#)



### High precision shear lead cutter

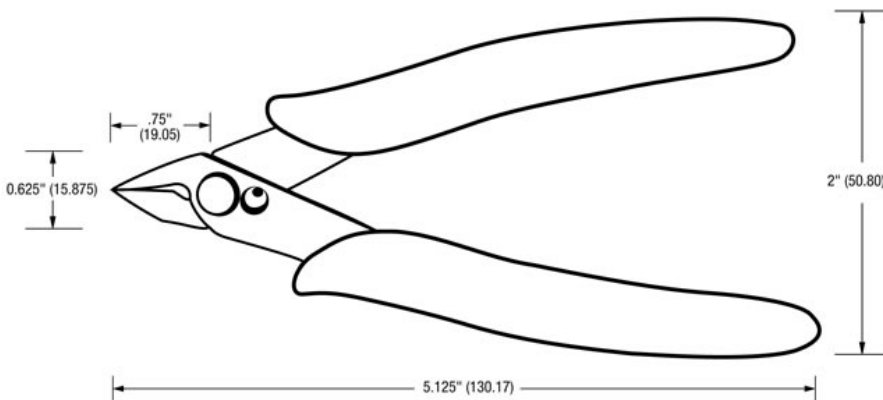
Precise, reliable cutting action at an economical price. Thin profile handle and light weight design is ideal for smaller hands.

- Cut up to 18 AWG copper wire (.04"/1mm)
- Economical, disposable cutter
- Thin blade profile for trimming in tight areas
- Ergonomic handle design
- Spring-back action

## Product Dimensions

### 170 Platoshear Cutter

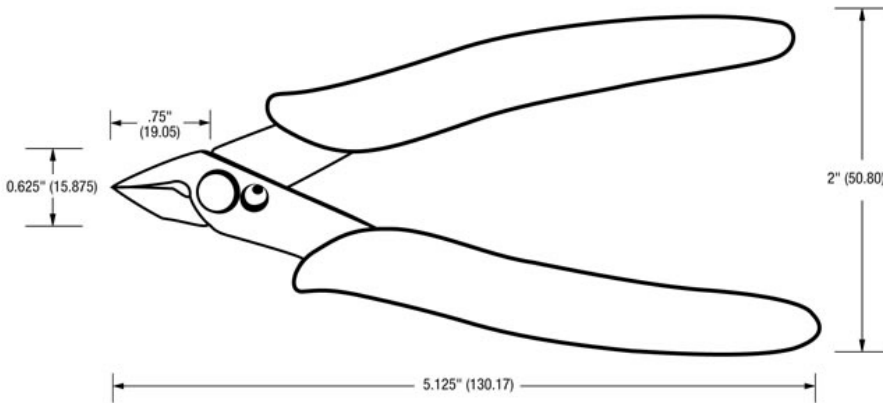
10 units/case





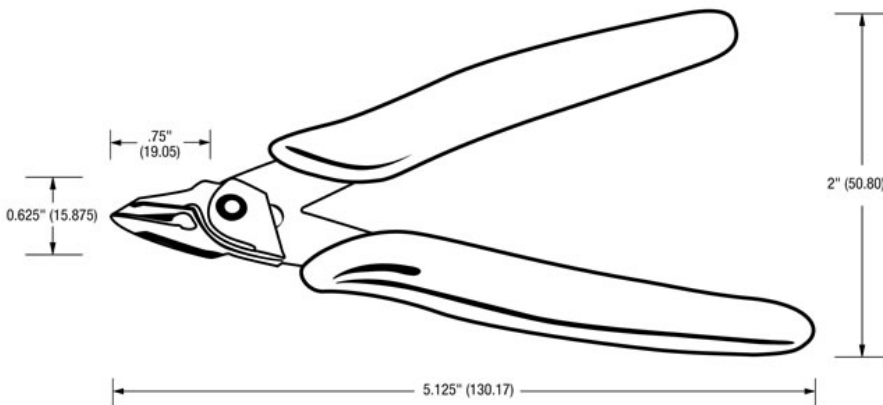
### 170SD Platoshear Cutter - EDS-Safe

10 units/case



### 175 Platoshear Cutter - EDS-Safe & w/Safety Guard

10 units/case



---

## Environmental Policy

Techspray is committed to developing products to ensure a safer and cleaner environment. We will continue to meet and sustain the regulations of all federal, state and local government agencies.

---

## Resources

Techspray products are supported by a global sales, technical and customer services resources.

For additional technical information on this product or other Techspray products in the United States, call the technical sales department at 800-858-4043, email [tsales@techspray.com](mailto:tsales@techspray.com) or visit our web site at: [www.techspray.com](http://www.techspray.com).



**North America**

Techspray  
P.O. Box 949  
Amarillo, TX 79105  
800-858-4043  
Email: [tsales@techspray.com](mailto:tsales@techspray.com)

**Europe**

ITW Contamination Control  
Saffierlaan 5  
2132 VZ Hoofddorp  
The Netherlands  
+31 88 1307 400  
Email: [info@itw-cc.com](mailto:info@itw-cc.com)

**Countries Outside US**

Call to locate a distributor in your country.

Important Notice to Purchaser/User: The information in this publication is based on tests that we believe are reliable. The results may vary due to differences in tests type and conditions. We recommend that each user evaluate the product to determine its suitability for the intended application. Conditions of use are outside our control and vary widely. Techspray's only obligation and your only solution is replacement of product that is shown to be defective when you receive it. In no case will Techspray be liable for any special, incidental, or consequential damages based on breach of warranty, negligence or any other theory.

© 2017 Techspray, A Division of ITW