

REV	ECN NO	REVISIONS	DRN	CKD	APP	DATE
A		NEW RELEASE	KLJ	m.e.		1/15/08

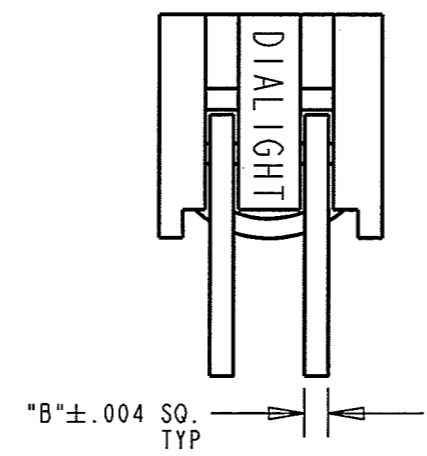
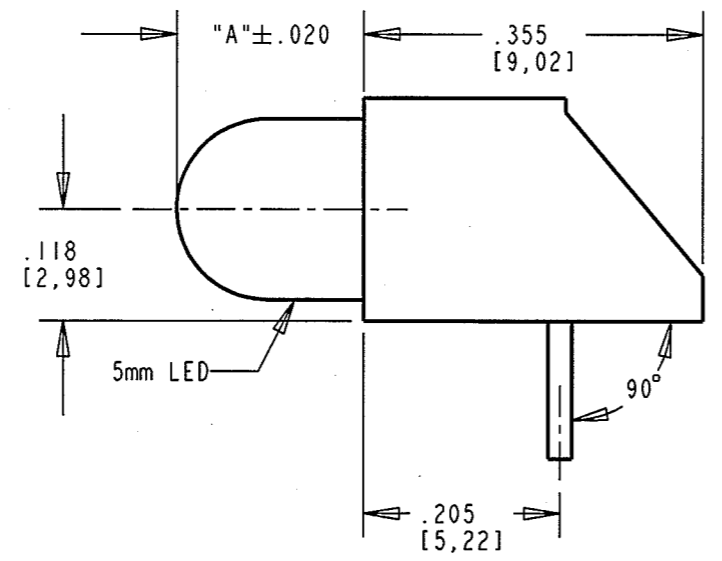
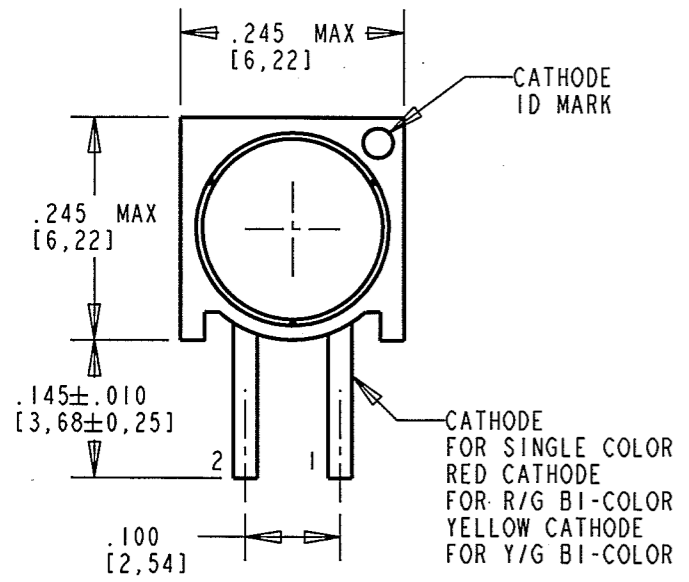
RoHS COMPLIANT 550-XX07F

Part Numbers with the "F" suffix ending are RoHS Compliant.
 For example: 550-5107F
 Packaging is marked with "RoHS Compliant" label or equivalent markings. Parts can be wave soldered, dip soldered or hand soldered using typical lead-free soldering process with max 260°C temp. for 5 sec.



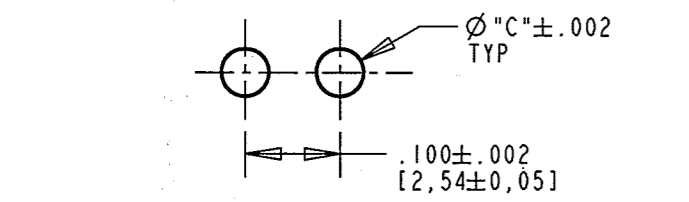
ATTENTION:
OBSERVE PRECAUTIONS FOR
HANDLING ELECTROSTATIC
SENSITIVE DEVICES

DIALIGHT PART NUMBER	LED COLOR	DIM "A"	DIM "B"	DIM "C"	OPERATING CHARACTERISTICS AT 25°C AMBIENT								ABSOLUTE MAXIMUM RATINGS AT 25°C AMBIENT							
					TEST CONDITION	LUMINOUS INTENSITY (mcd)		FORWARD VOLTAGE (V)		REVERSE CURRENT (μA)	DOMINANT WAVELENGTH (nm)	PEAK WAVELENGTH (nm)	VIEWING ANGLE (DEG)	POWER DISSIPATION (mW)	DC FORWARD CURRENT (mA)	PEAK FORWARD CURRENT (mA)	REVERSE VOLTAGE (V)	STORAGE TEMP (°C)	OPERATING TEMP (°C)	SOLDERING TEMP FOR 5 SECONDS (°C)
						MIN	TYP	TYP	MAX	MAX	TYP	TYP	TYP							
550-1507F	GREEN TINTED NON-DIFFUSED	.197	.018	.040	I _F = 10mA	25	70	2.3	3.0	100	—	565	24	135	30	90	5	-55 TO +100	-20 TO +100	260
550-1607F	YELLOW TINTED NON-DIFFUSED	.190	.020	.043	I _F = 10mA	29	90	2.1	2.6	100	588	585	35	60	20	80	5	-55 TO +100	-55 TO +100	260
550-1707F	RED TINTED NON-DIFFUSED	.197	.018	.040	I _F = 10mA	25	60	2.2	3.0	100	—	635	35	135	30	90	5	-55 TO +100	-55 TO +100	260
550-3007F	R/G BI-COLOR WHITE DIFFUSED	.190	.020	.043	I _F = 20mA	29/12	90/40	1.8/2.1	2.4/2.8	100	638/569	660/565	60	100/100	40/30	200/120	4/5	-55 TO +100	-55 TO +100	260
550-3107F	Y/G BI-COLOR WHITE DIFFUSED	.190	.020	.043	I _F = 20mA	2.5	8.7	2.1/2.1	2.8/2.8	100	588/569	585/565	50	60/100	20/30	80/120	5/5	-55 TO +100	-55 TO +100	260
550-5107F	RED DIFFUSED	.190	.020	.043	I _F = 20mA	17	34	2.1	2.55	10	—	650	50	75	25	60	3	-55 TO +100	-55 TO +100	260
550-5207F	GREEN DIFFUSED	.190	.020	.043	I _F = 20mA	17	34	2.2	3.0	10	—	563	50	75	25	60	3	-55 TO +100	-55 TO +100	260
550-5307F	YELLOW DIFFUSED	.190	.020	.043	I _F = 20mA	17	34	2.2	3.0	10	—	585	50	75	25	60	3	-55 TO +100	-55 TO +100	260
550-5407F	AMBER DIFFUSED	.190	.020	.043	I _F = 20mA	17	34	2.2	3.0	10	—	610	50	75	25	60	3	-30 TO +100	-25 TO +85	260
550-5507F	RED NON-DIFF WATER CLEAR	.197	.018	.040	I _F = 20mA	80	125	2.2	3.0	100	626	635	24	135	30	90	5	-55 TO +100	-55 TO +100	260
550-5607F	GREEN NON-DIFF WATER CLEAR	.197	.018	.040	I _F = 20mA	80	120	2.3	3.0	100	569	565	24	135	30	90	5	-55 TO +100	-20 TO +100	260
550-5707F	YELLOW NON-DIFF WATER CLEAR	.197	.018	.040	I _F = 20mA	80	140	2.2	3.0	100	585	583	24	85	20	60	5	-55 TO +100	-55 TO +100	260
550-5807F	AMBER NON-DIFF WATER CLEAR	.190	.024	.049	I _F = 20mA	60	90	2.2	2.5	100	—	605	20	125	50	100	4	-30 TO +100	-30 TO +85	260

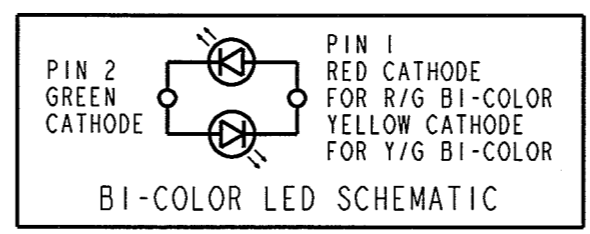
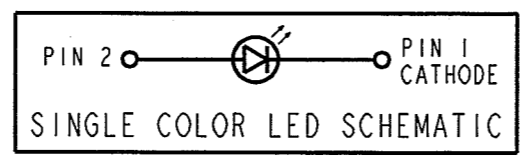


NOTES:

- LED LEAD DIMENSIONS SHOWN ARE MEASURED AT HOUSING EXIT.
- LEADS TO FIT INTO HOLES SPACED AS PER PATTERN.
- PIN NUMBERS FOR REFERENCE ONLY, DESIGNATION NON-EXISTENT ON PART.
- DIALIGHT PART NUMBERS: 550-XX07F.
- THIS ASSEMBLY CONTAINS ELECTROSTATIC DISCHARGE SENSITIVE DEVICES (ESDS). MAINTAIN ALL PRECAUTIONARY MEASURES DURING ASSEMBLY, HANDLING, AND STORAGE IN ACCORDANCE WITH IPC-A-610.



RECOMMENDED HOLE PATTERN GAUGE



THIS DRAWING AND THE CONTENTS HEREIN ARE CONFIDENTIAL AND THE SOLE PROPERTY OF DIALIGHT. REPRODUCTION OF THIS DRAWING OR CONSTRUCTION OF ANY PARTS WITHIN THIS DRAWING ARE FORBIDDEN WITHOUT THE WRITTEN CONSENT OF DIALIGHT.		
SCALE: DRAWING SCALE	DRAWING NUMBER	REV
ALL DIM'S IN: INCHES (MM)	C-17697	A
TOLERANCES: UNLESS OTHERWISE SPECIFIED	TITLE	
FRACTIONS: ±1/64	Ø5mm LED CBI	
DECIMALS (.XX): ±.02	RoHS COMPLIANT	
DECIMALS (.XXX): ±.015	MATERIAL	
ANGLES: ±3°	Dialight	
FINISH:	1501 ROUTE 34 SOUTH FARMINGDALE, NJ 07727	
FSCM 83330	SHEET 1 OF 1	FAMILY TABLE: