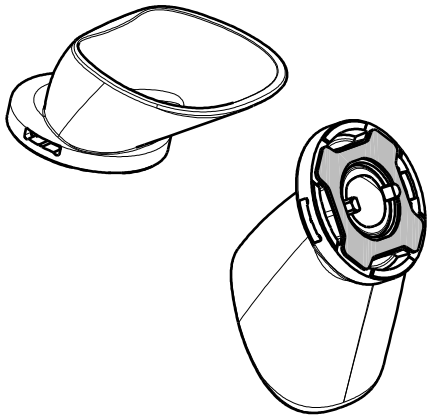


D

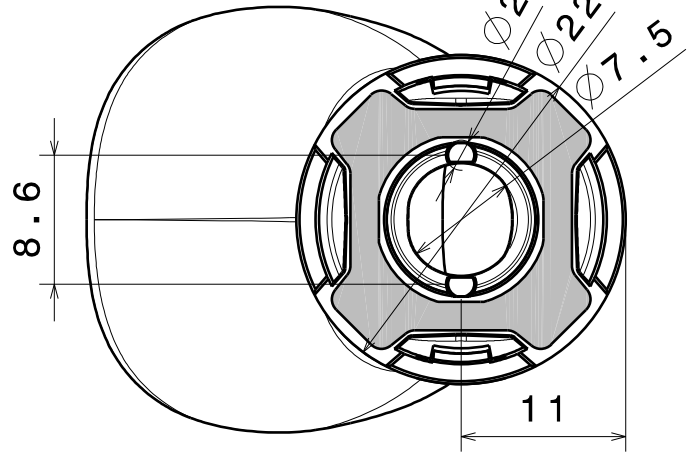
C

B

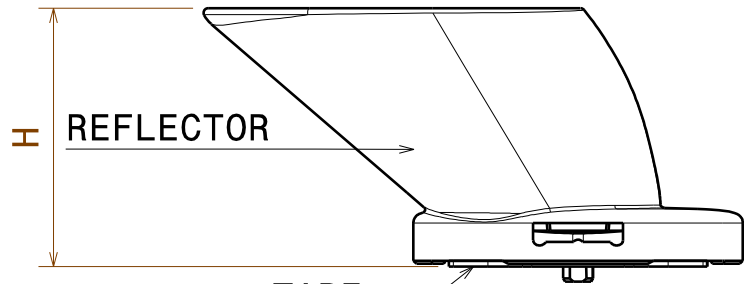
A



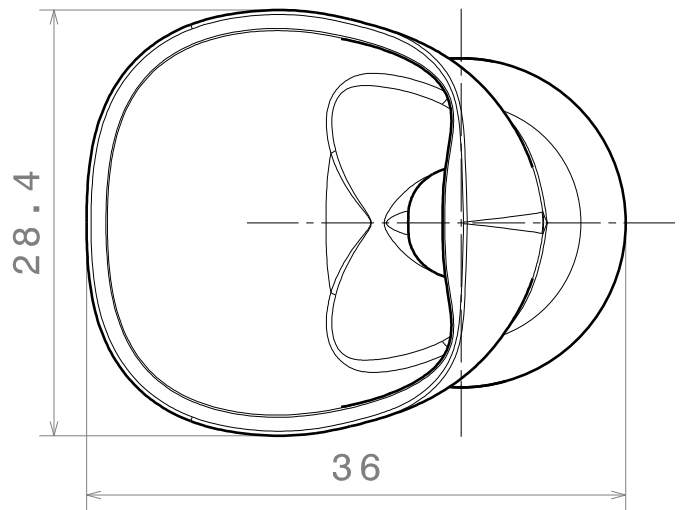
Isometric view



Bottom view



Front view



Top view

DIMENSION H:

- WITH TAPE 17.3mm
- WITHOUT TAPE 17.1mm

Tolerances for dimensions:
 0-20mm tolerance value $\pm 0.1\text{mm}$
 21-45mm tolerance value $\pm 0.2\text{mm}$
 46-90mm tolerance value $\pm 0.3\text{mm}$
 91-100mm tolerance value $\pm 0.4\text{mm}$
 101-mm tolerance value $\pm 0.5\text{mm}$

This drawing is our property.
 It can't be reproduced
 or communicated without
 our written agreement.



Ledil Oy
 Salorankatu 10
 FIN 24240 SALO
 Finland

DRAWING TITLE

Datasheet RITA-A reflector

DRAWN BY

mav

DATE

30.12.2011

CHECKED BY

sn

DATE

30.12.2011

SIZE

A4

DRAWING NUMBER

-

REV

1

DESIGNED BY

hh/pl

DATE

30.12.2011

SCALE

1:1

WEIGHT (g)

SHEET

1/1

D

A