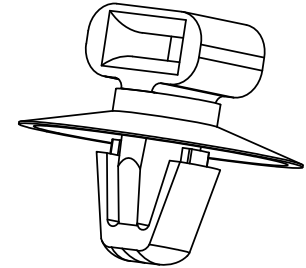
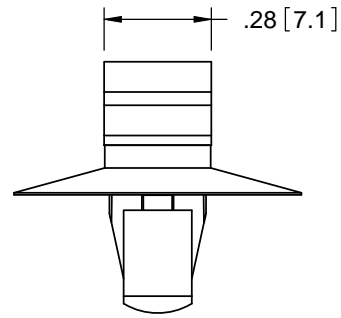
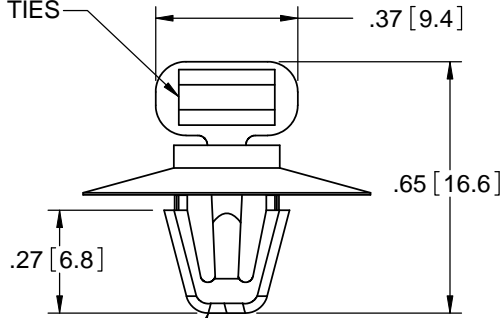
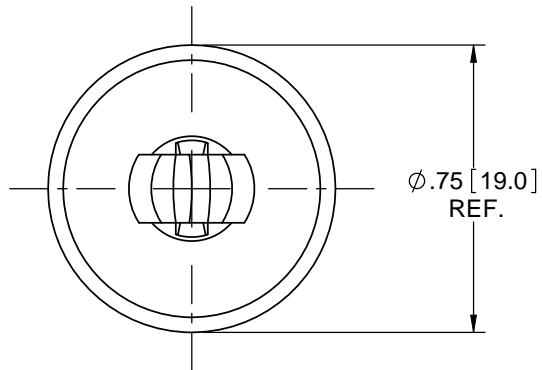


ACCOMMODATES WIT / WITA-18
THRU -50 TIES



TO SNAP-LOCK IN A $.250 \pm .003$
[6.35 ± 0.08] DIA. HOLE, IN A
 $.063 \pm .002$ [1.6 ± 0.05] THICK PANEL



NOTES:
1. MATERIAL: NYLON 6/6 (RMS-01)
2. COLOR: NATURAL.

TITLE: FLAT TIE HOLDER				DWG IN IN [MM]	
CREATED USING SOLIDWORKS	FILE #: FTH-29	DWN: SM	APP: RT	FINAL	
TOLERANCES UNLESS NOTED .XX=±.010 .XXX=±.005 FRAC.=±1/64 ANG.=±1°	SHEET: 1 OF 1	SHEET SIZE: A	DT: 04/12/04	CHKD: RDG	PART #
RE: RICHCO, INC.	RICHCO, INC. ENG@RICHCO-INC.COM (773) 539-4060		FTH-29-01		PRINT TYPE CA
REV. DESCRIPTION	ENGR. DATE				

D	SEE CO 200570 FOR CHANGES	SK	08/04/10
C	SEE ECN #1124 FOR CHANGES	SK	01/24/06
B	SEE ECN #1083 FOR CHANGES	SK	10/18/05
A	RELEASED FOR PRODUCTION	SM	04/14/04
REV.	DESCRIPTION	ENGR.	DATE