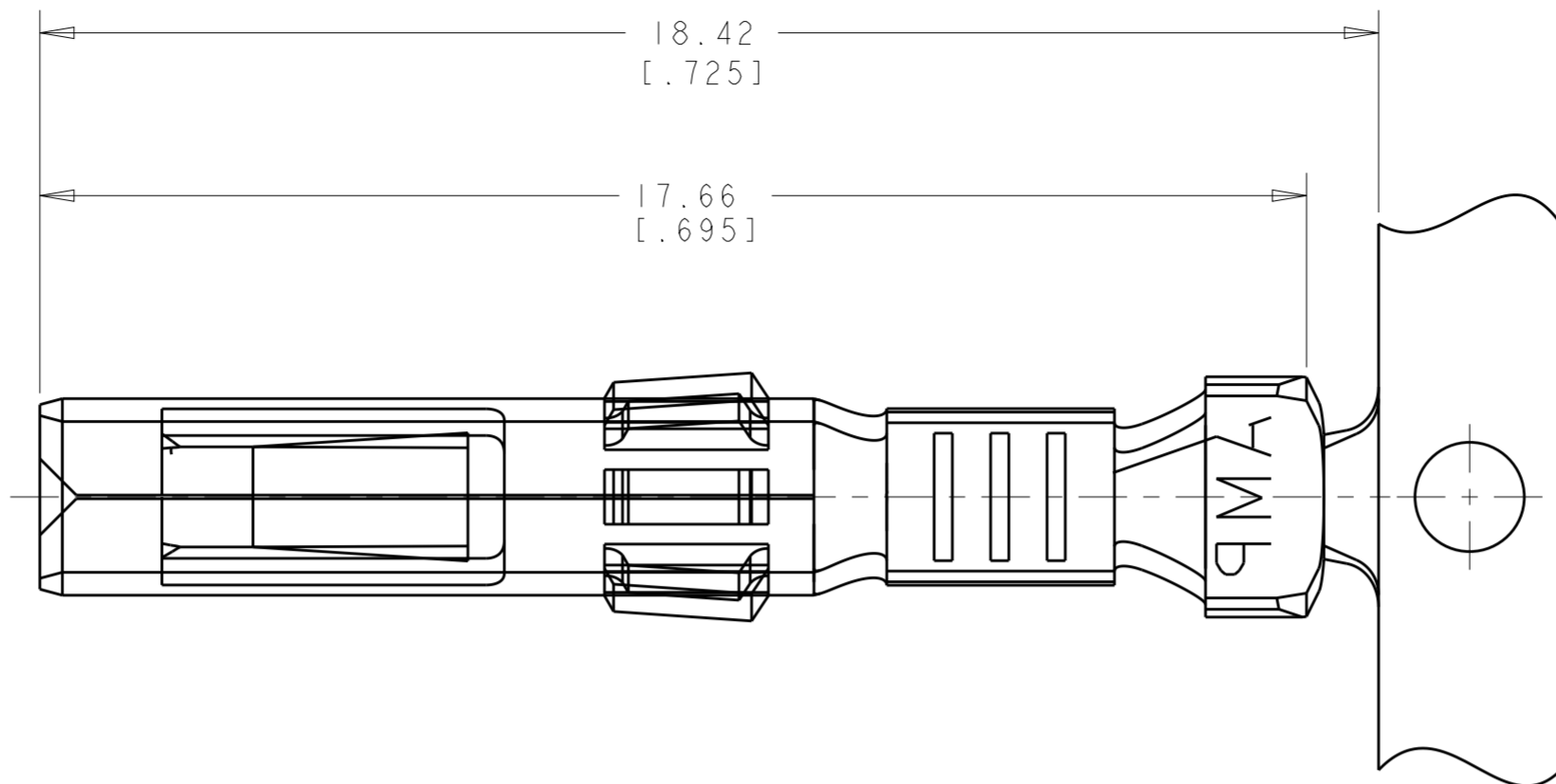
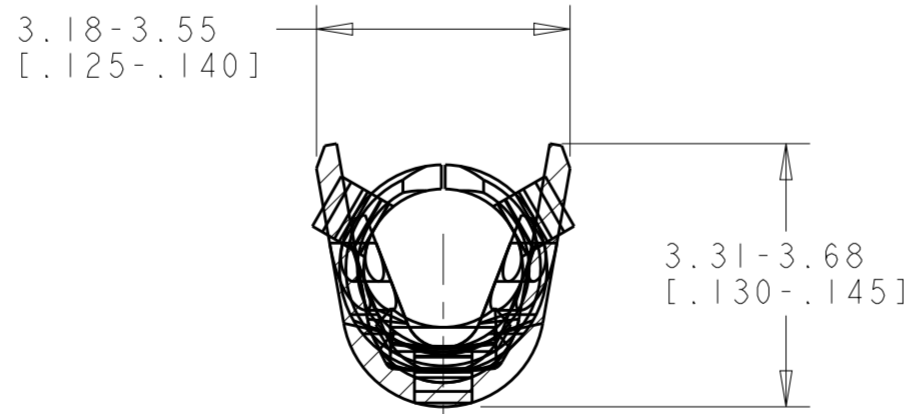
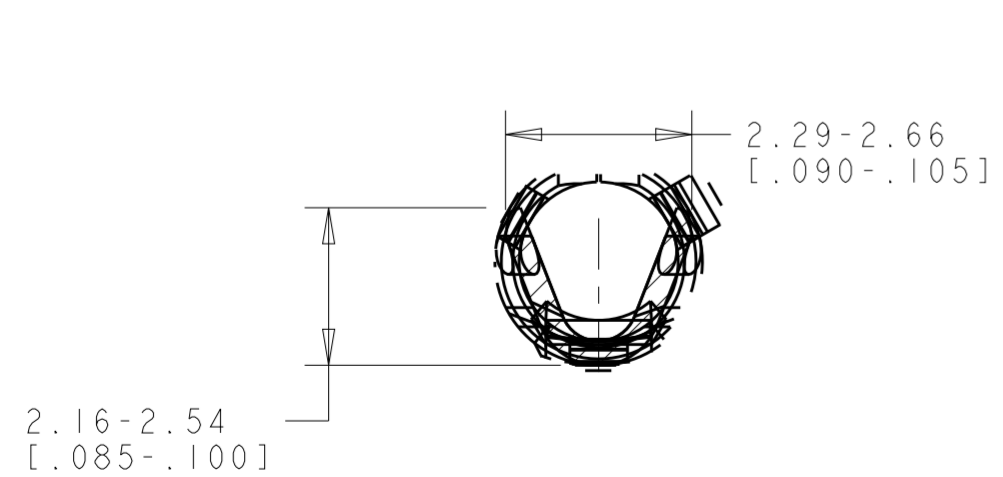
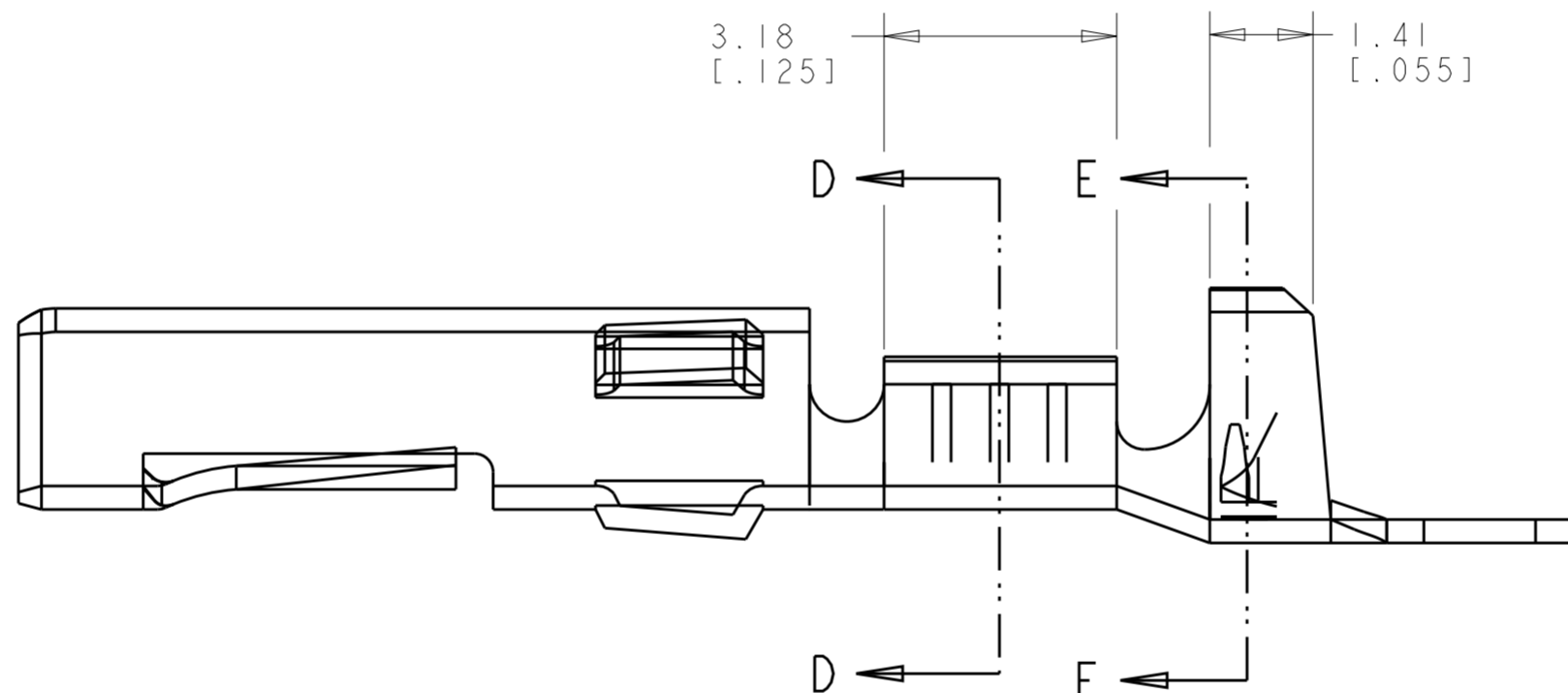
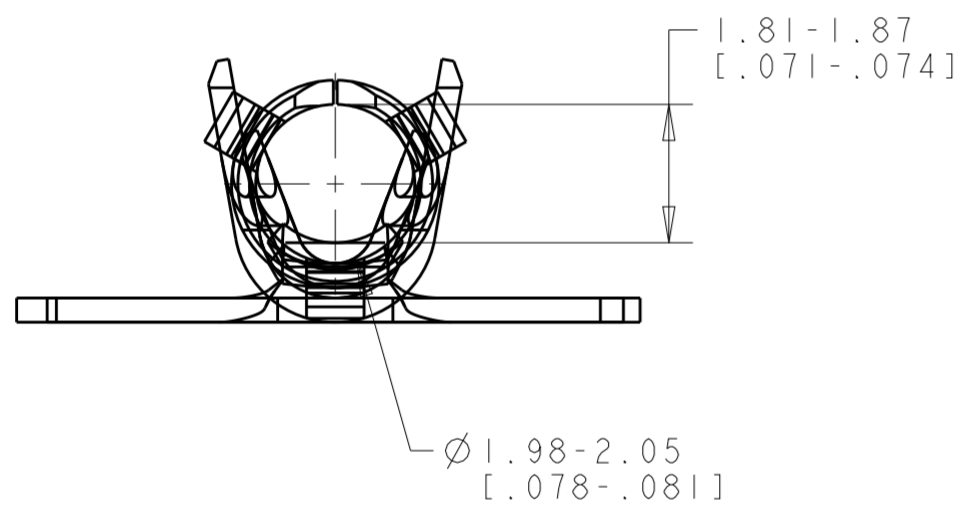


THIS DRAWING IS UNPUBLISHED. RELEASED FOR PUBLICATION 20
 © COPYRIGHT 20 BY TYCO ELECTRONICS CORPORATION. ALL RIGHTS RESERVED.

LOC	DIST	REVISIONS					
CM	00	P	LTR	DESCRIPTION	DATE	DWN	APVD
			BI	REVISED PER ECR 12-013810	25SEPT12	JR	TM

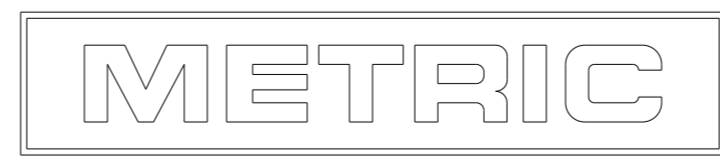


1. DIMENSIONS IN BRACKETS ARE IN INCHES.
2. INSULATION DIAMETER 2.54 [.100] MAX.
3. WIRE RANGE 0.9 - 0.2 mm² [24 - 18 AWG].



SECTION D-D

SECTION E-E



THIS DRAWING IS A CONTROLLED DOCUMENT FOR TYCO ELECTRONICS CORPORATION. IT IS SUBJECT TO CHANGE AND THE CONTROLLING ENGINEERING ORGANIZATION SHOULD BE CONTACTED FOR THE LATEST REVISION.

DIMENSIONS: mm [INCHES]	TOLERANCES UNLESS OTHERWISE SPECIFIED:
0 PLC ±	1 PLC ±
2 PLC ±0.25 [.010]	3 PLC ±
4 PLC ±	ANGLES ±
FINISH	
SEE TABLE	SEE TABLE

DWN	29SEP2003
CHK	K. WHITAKER
APVD	D. COLEY
PRODUCT SPEC	
APPLICATION SPEC	
WEIGHT	
Customer Drawing	

0.3 [.012] BRASS, PRE-TIN	1586334-1
MATERIAL AND FINISH	PART NUMBER
Tyco Electronics Harrisburg, PA 17105-3608	
NAME: SOCKET, SPECIAL, MATE-N-LOK™	
SIZE: A2	CAGE CODE: 00779
DRAWING NO: C-1586334	RESTRICTED TO: -
SCALE: 10:1	SHEET 1 OF 1
REV: BI	