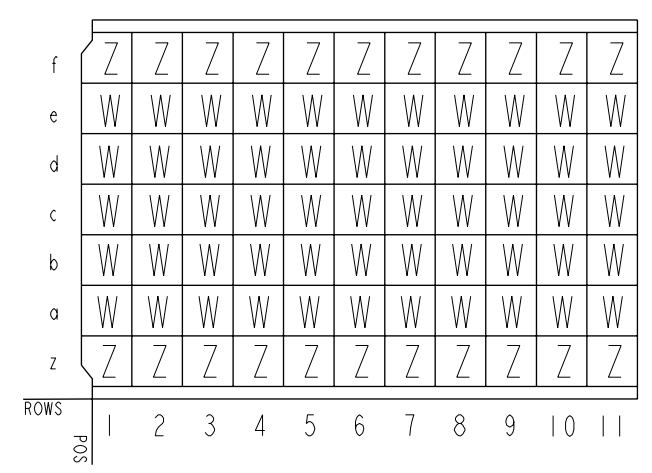
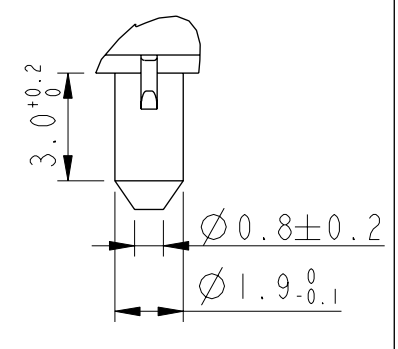


LOADING PATTERN MATING SIDE

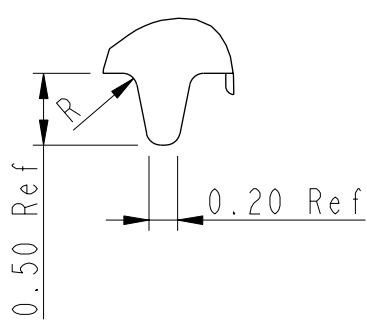


GUIDING PEG DETAILS



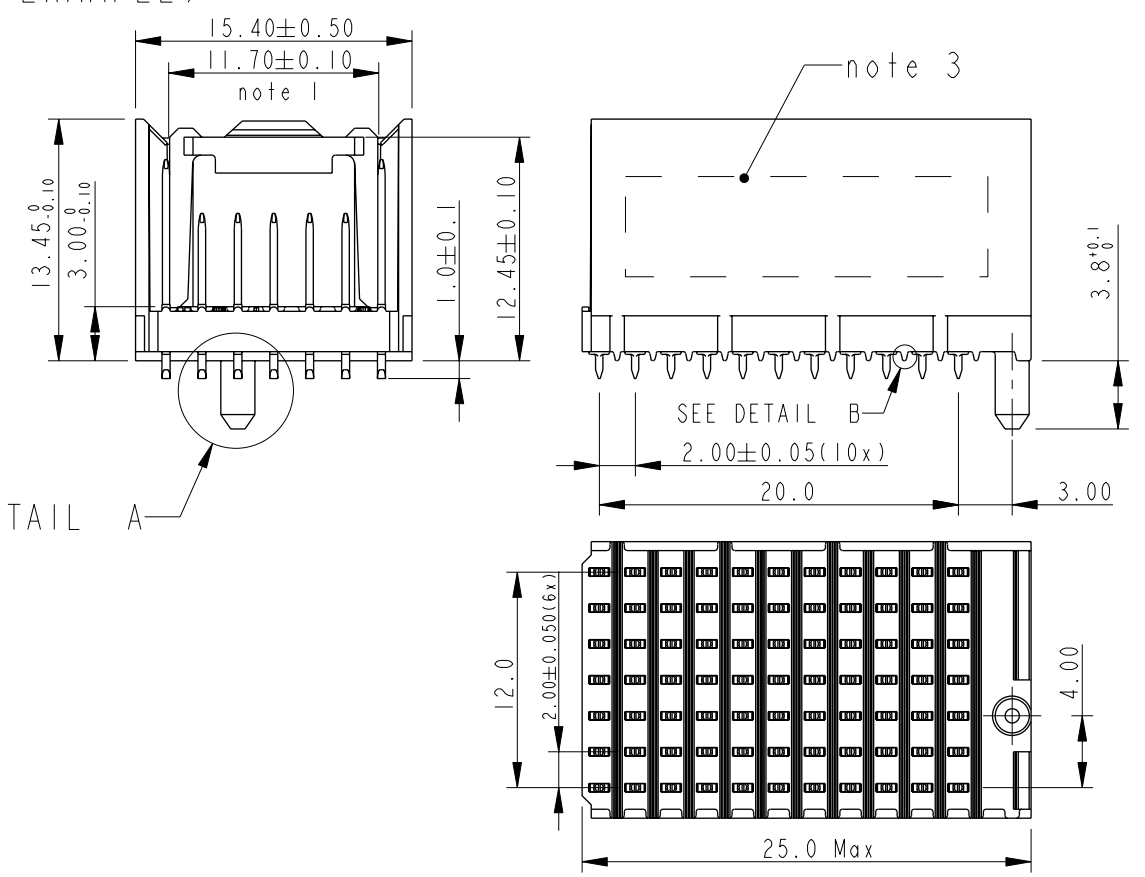
DETAIL A
SCALE 5:1

STAND OFF DETAILS



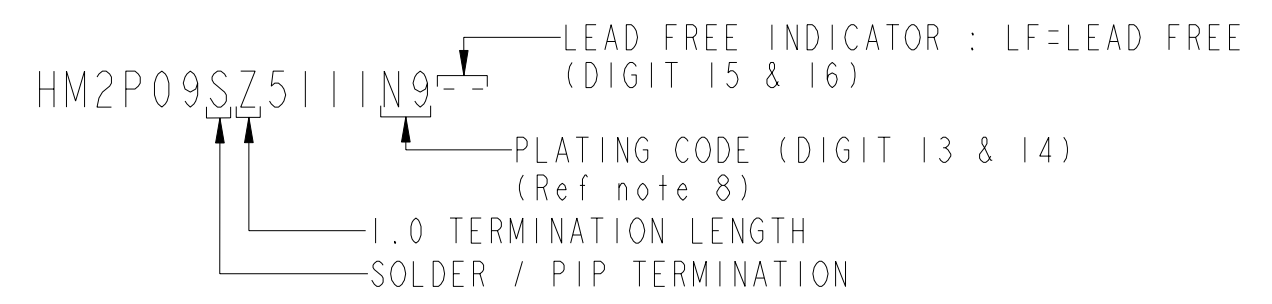
DETAIL B
SCALE 20:1

LOADED CONNECTOR ASSEMBLY (FOR EXAMPLE)

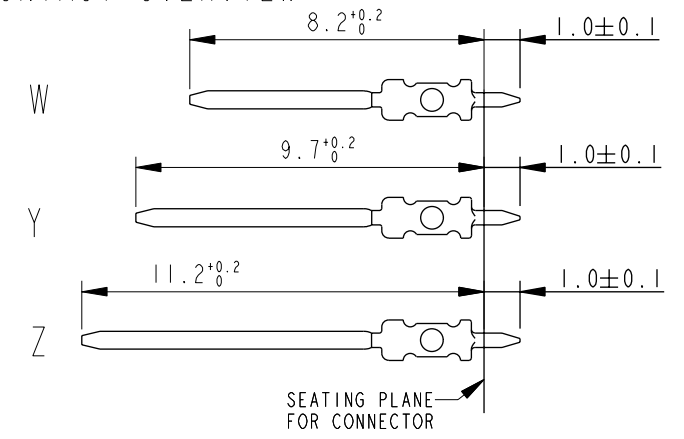


SEE DETAIL A

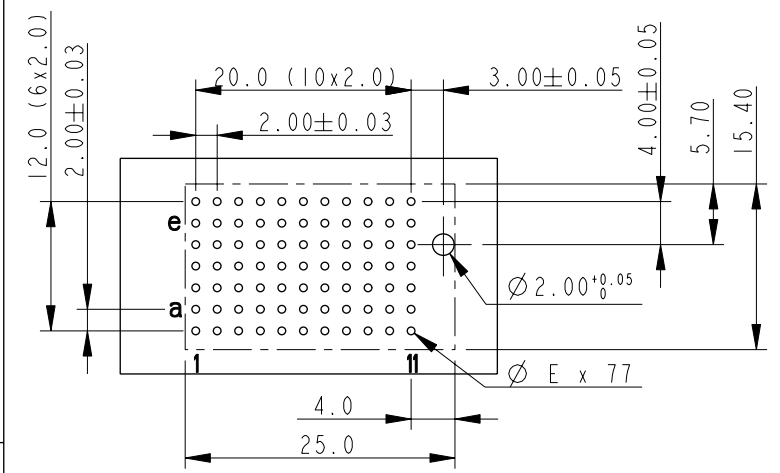
B



CONTACT OVERVIEW



PCB LAYOUT & HOLE DIMENSIONS

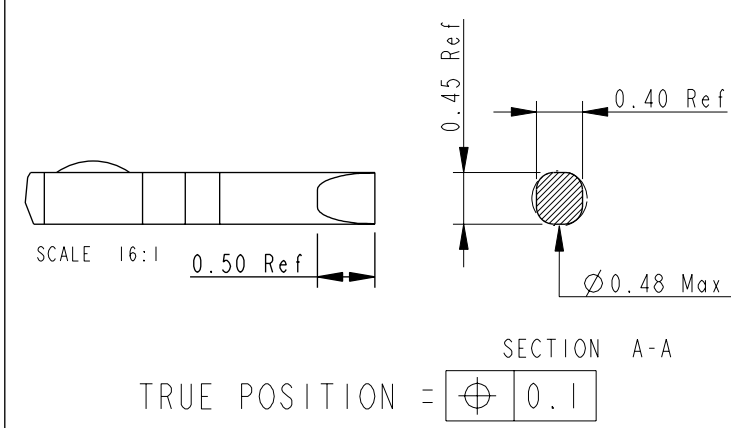


Dim	Finished Hole Dia	Cu Thickness	Sn Thickness	Drilled Hole Dia
E	0.65 - 0.80	0.025 - 0.050	0.008 - 0.012	0.72 - 0.92

NOTES :

- MEASURED AT THE BOTTOM
- MATERIAL CONTACT : PHOSPHOR BRONZE
HOUSING : HIGH TEMPERATURE POLYMER - BLACK
- CONNECTOR PRINTED WITH P/N AND DATE CODE
- FOR ACTUAL CONTACT LOADING, SEE LOADING PATTERN MATING SIDE
- THE SOLDER CONTENT IN THE PASTE SHOULD BE SUFFICIENT TYPICALLY 50% VOLUME PERCENTAGE. THE SCREEN PRINTING PROCESS (ANGLE, SPEED, PRESSURE ETC) MUST BE OPTIMISED SO THAT ENOUGH SOLDER IS AVAILABLE. (PASTE THICKNESS = 0.15MM)
- THE PRODUCT (LF) MEETS EUROPEAN UNION DIRECTIVES AND OTHER COUNTRY REGULATIONS AS DESCRIBED IN GS-22-008
- THIS PRODUCT WITHSTANDS 260°C FOR 10 SECS FOR PIN IN PASTE APPLICATION
- PLATING DETAILS:
TERMINATION SIDE : Sn (MATT FINISH)
CONTACT SIDE : N9 (IEC PERFORMANCE LEVEL 2)
- MISSING INFORMATION & DIMENSIONS PER IEC 61076-4-101

SOLDER TAIL DETAILS



rev	ecn no	dr	date
A	106-0208	AB	2007-09-28
-	-	-	-
-	-	-	-
-	-	-	-
-	-	-	-

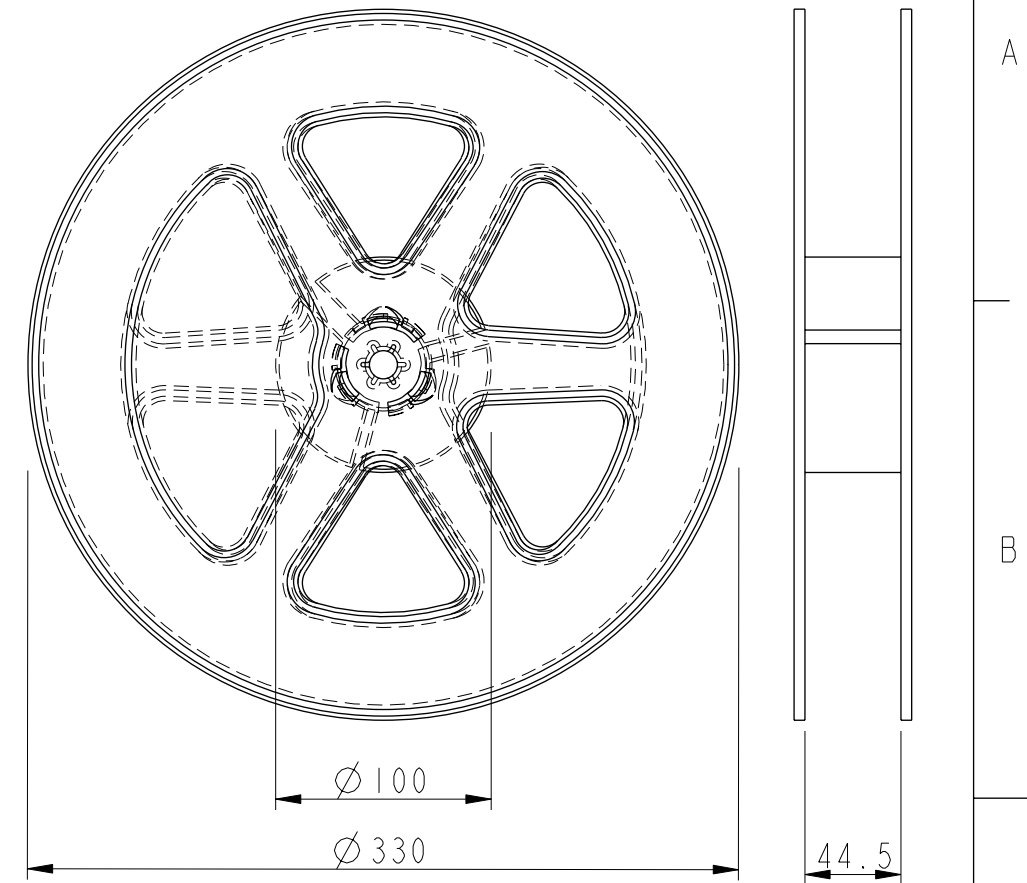
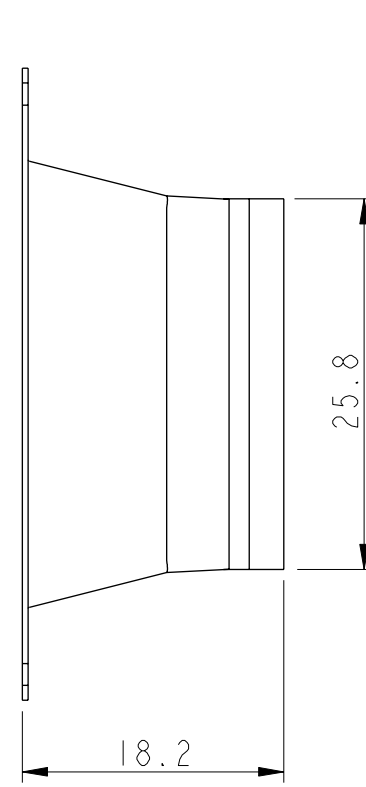
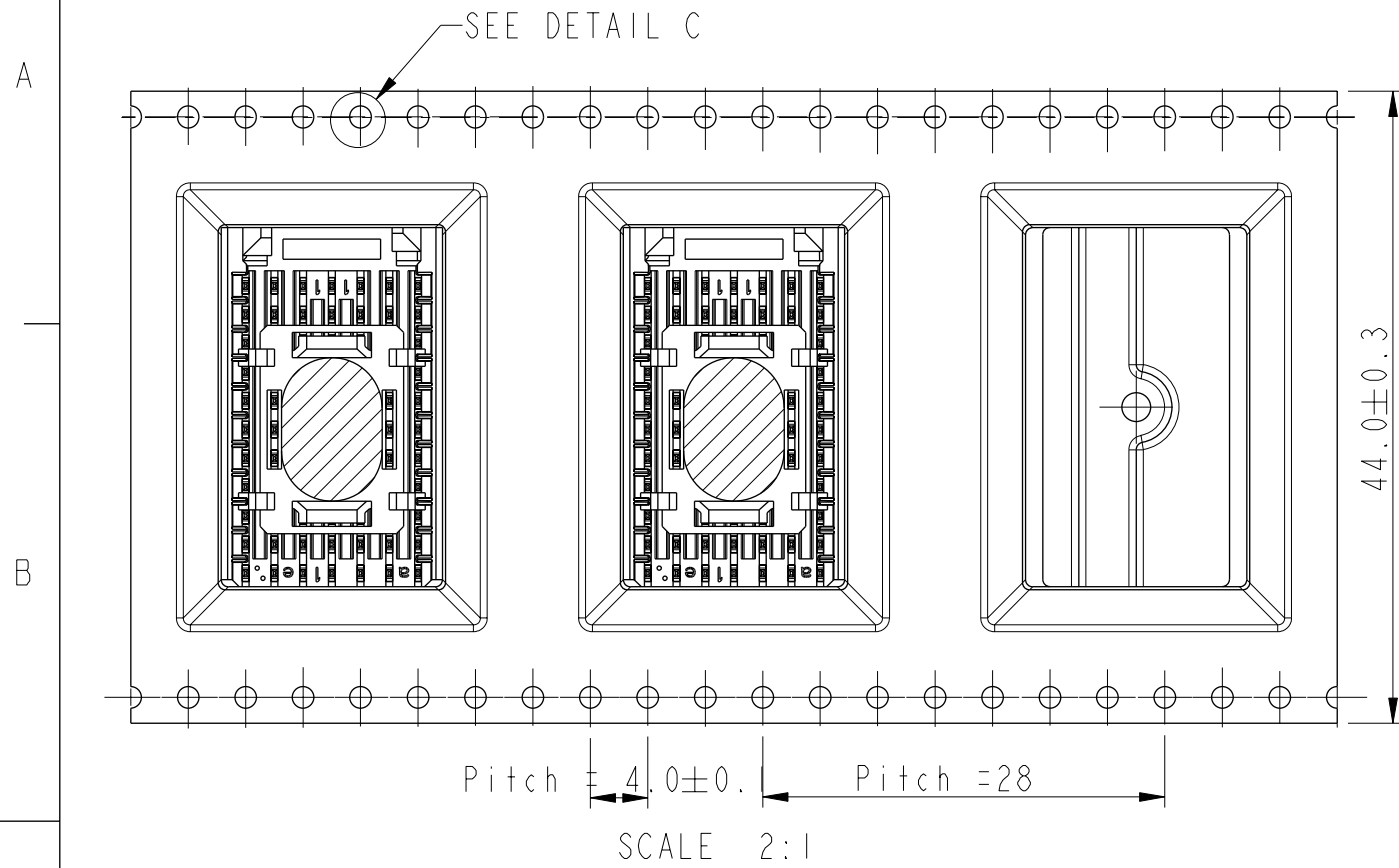
www.fciconnect.com		surface - ✓ ISO 1302	tolerance std ISO 406 ISO 1101	projection mm
TOLERANCES UNLESS OTHERWISE SPECIFIED				
Dr	Alex Babu	2006-12-14	ANGULAR	size A3
Eng	Alex Babu	2006-12-14	LINEAR	
Chr	Biju K Paul	2006-12-14	0° ±1°	Scale 2:1
Appr	Biju K Paul	2006-12-14	Product family	ECN 106-0208
MILLIPACS TYPE-C STR HDR (PIP VERSION)		dwg no BSC203204003	REL Level	RELEASED
catalog no HM2P09SZ5111----		CUSTOMER	sheet 1 of 2	



Copyright FCI.

TAPE ON REEL PACKAGING DETAILS

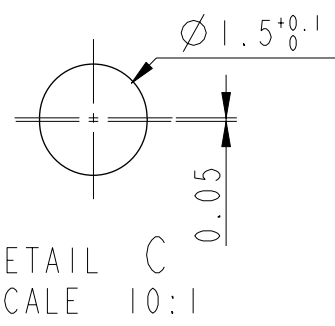
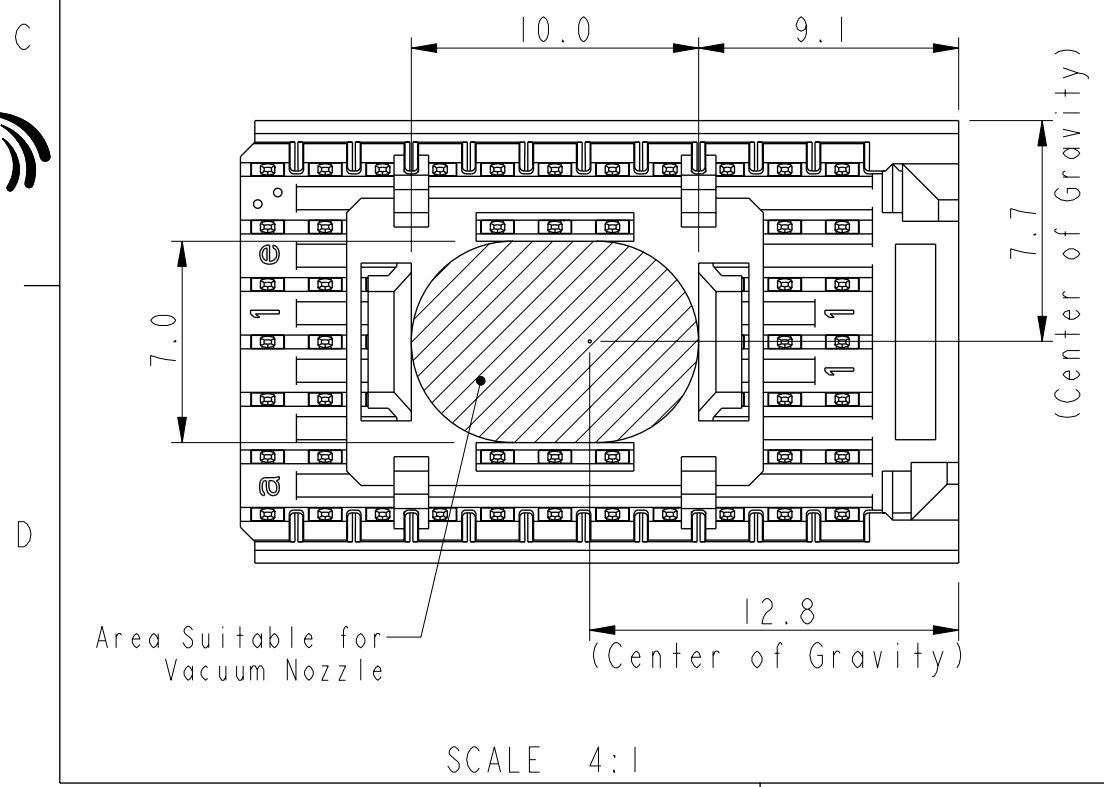
Reel Off Direction



NOTES :

- 1 , CONNECTORS PACKED PER REEL : 110 PIECES
- 2 , PACKAGING DETAILS AS PER EIA-481-B
- 3 , PACKING SHOULD BE ANTISTATIC
- 4 , MATERIAL
 CARRIER TAPE : POLYSTYRENE
 COVER TAPE : POLYESTER
- 5 , CONNECTOR CAN BE PICKED UP WITH A MECHANICAL GRIPPER OR A VACUUM NOZZLE DIAMETER UPTO 6 MM
 ESTIMATED MAXIMUM MASS OF PRODUCT 4.1 gms

Copyright FCI.



www.fciconnect.com			surface - <input checked="" type="checkbox"/> ISO 1302	tolerance std ISO 406 ISO 1101	projection	mm
			TOLERANCES UNLESS OTHERWISE SPECIFIED			
Dr	Alex Babu	2006-12-14	ANGULAR	0.X	±0.2	size A3
Eng	Alex Babu	2006-12-14		LINEAR	0.XX	
Chr	Biju K Paul	2006-12-14	0° ±1°	0.XXX	±0.05	ECN 106-0208
Appr	Biju K Paul	2006-12-14	Product family	MILLIPACS	Spec ref	RELEASED
			title MILLIPACS TYPE-C STR HDR (PIP VERSION)		dwg no BSC203204003	Rev. A
			catalog no	HM2P09SZ5111----	CUSTOMER	sheet 2 of 2