

THIS DRAWING IS UNPUBLISHED. RELEASED FOR PUBLICATION 20  
 © COPYRIGHT 20 BY - ALL RIGHTS RESERVED.

REVISIONS				
P	LTR	DESCRIPTION	DATE	APVD
A2		ECR-16-010931 UPDATE NAME	02AUG2016	L.Z X.X

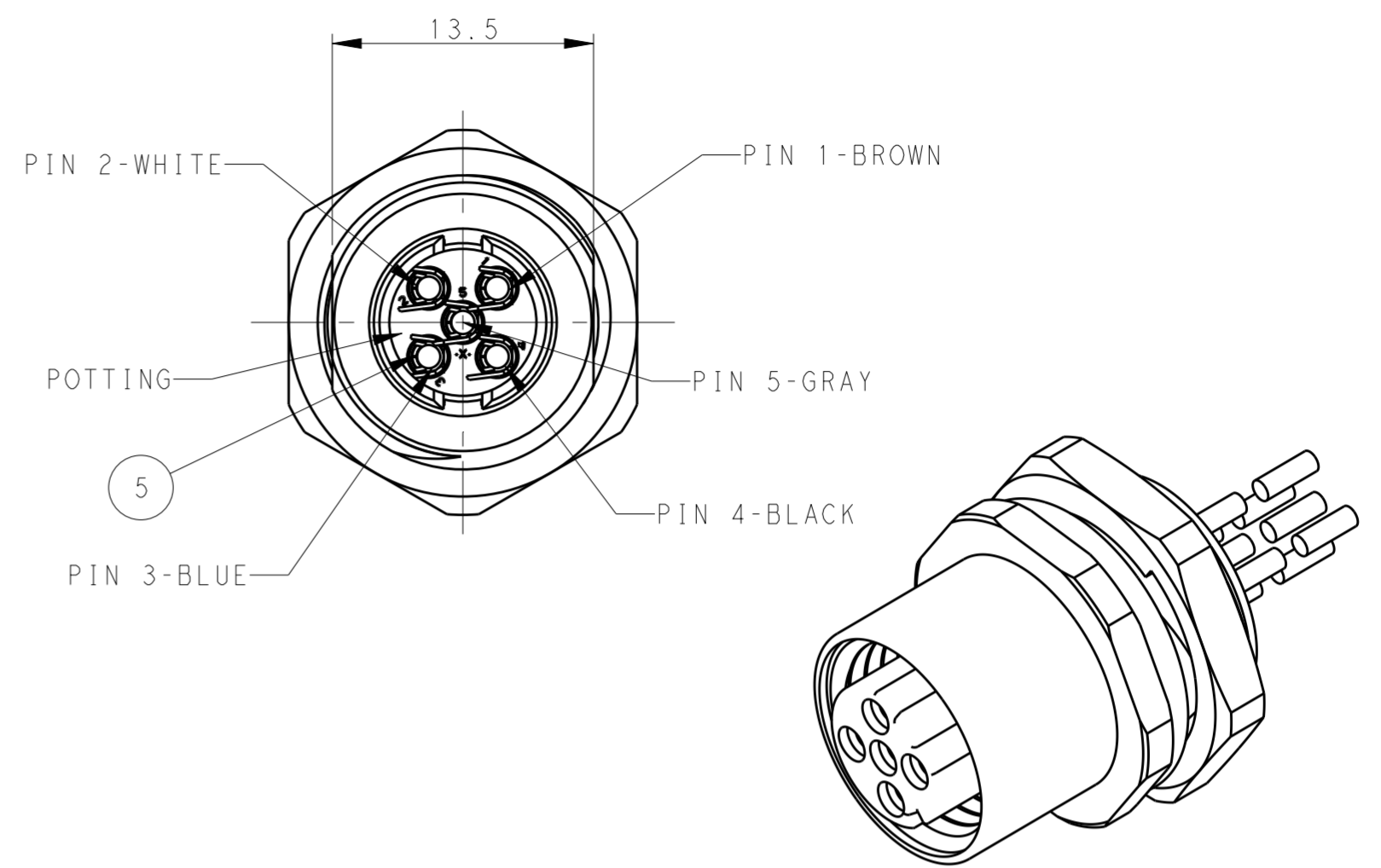
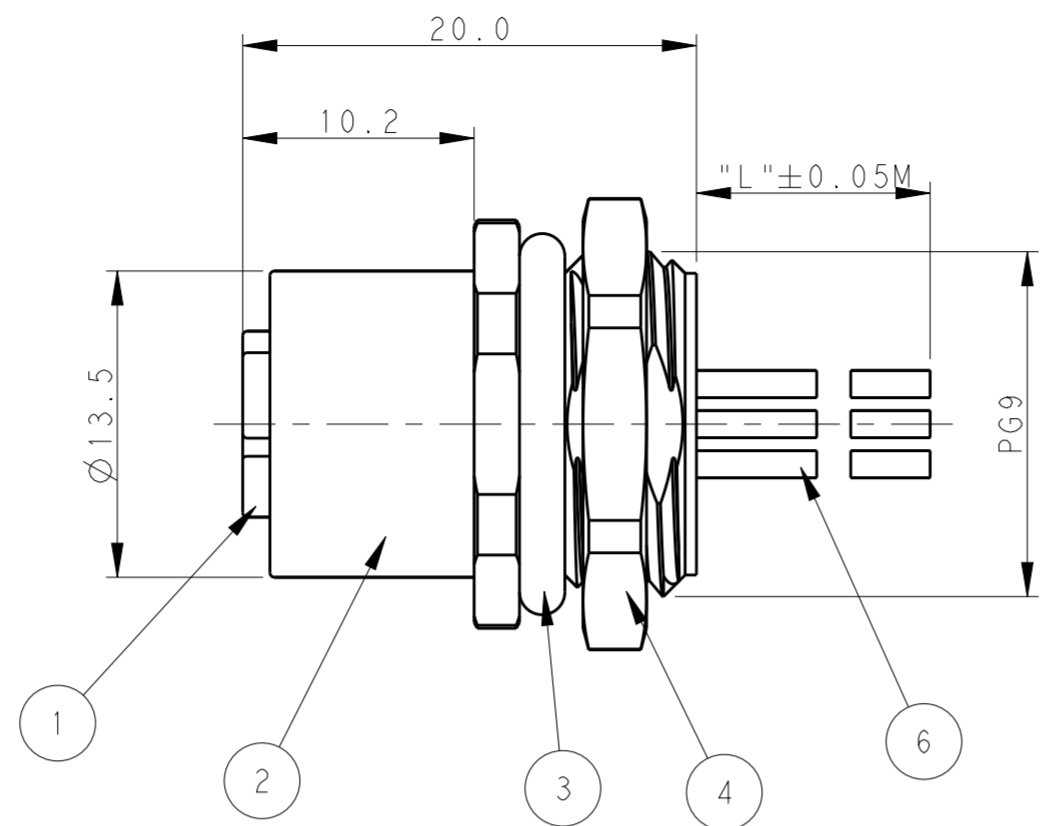
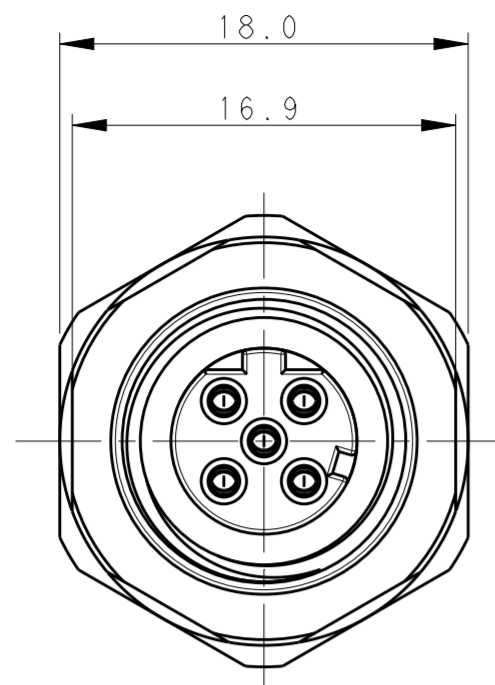


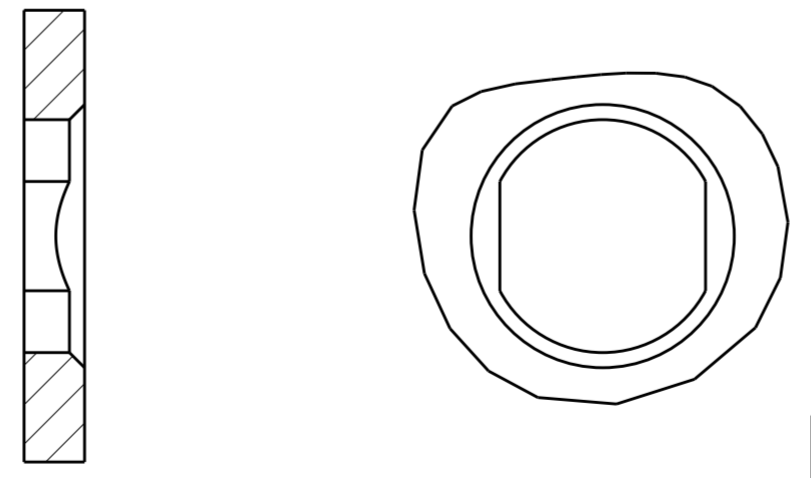
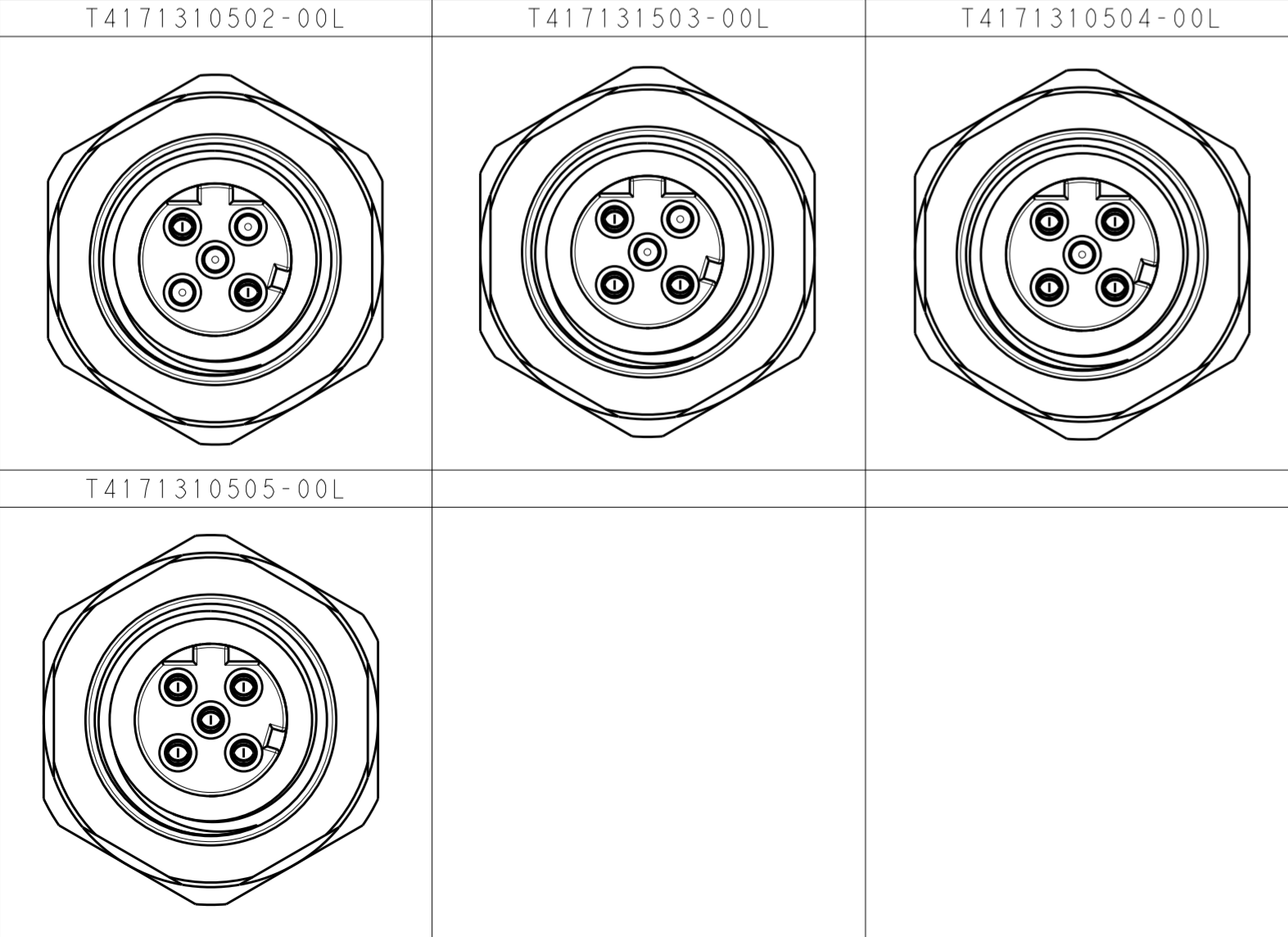
TABLE 1

TECHNICAL DATA	T4171310502-00L	T4171310503-00L	T4171310504-00L	T4171310505-00L
RATED VOLTAGE	250V	250V	250V	60V
RATED CURRENT	4A	4A	4A	4A
POLLUTION DEGREE	3	3	3	3
OVERVOLTAGE CATEGORY	II	II	II	II
MATERIAL GROUP	II	II	II	II
CONTACT RESISTANCE	<=10mΩ	<=10mΩ	<=10mΩ	<=10mΩ
INSULATION RESISTANCE	>100MΩ	>100MΩ	>100MΩ	>100MΩ
DEGREE OF PROTECTION	IP67	IP67	IP67	IP67
OPERATION TEMPERATURE	-40~85°C	-40~85°C	-40~85°C	-40~85°C

NOTE:  
 1. TECHNICAL DATA: SEE TABLE 1  
 2. PRODUCT COMPLIES WITH IEC61076-2-101  
 3. PLASTIC INERT MATERIAL:UL LISTED WITH UL94V0 FLAME RATING  
 4. CABLE LENGTH SEE TABLE 2

注释:  
 1: 技术参数, 见表1  
 2: 产品符合标准IEC61076-2-101  
 3: 塑胶材料符合UL标准, UL-94V0阻燃等级  
 4: 线长度见表2

PIN ARRANGEMENT D-CODE



RECOMMENDED PANEL CUTOUT

CABLE CHARACTERISTIC	CABLE LENGTH "L"	DESCRIPTION	POS	TABLE 2 PN
WIRES: 0.34MM^2(22AWG) WIRE PN AND COLOR: 1(BR)/2(WH)/3(BL)/4(BK)/5(GR)	-001:0.2M -002:0.5M -003:1.0M -004:1.5M -005:3.0M -006:5.0M -007:7.0M -008:10.0M	RPC-M12D-FB-5CON-PG9-**LAU <sup>4</sup>	5	T4171310505-00L
		RPC-M12D-FB-4CON-PG9-**LAU <sup>4</sup>	4	T4171310504-00L
		RPC-M12D-FB-3CON-PG9-**LAU <sup>4</sup>	3	T4171310503-00L
		RPC-M12D-FB-2CON-PG9-**LAU <sup>4</sup>	2	T4171310502-00L

COMMENT	MATERIAL	DESCRIPTION	ITEM
FLASH GOLD	COPPER ALLOY	CABLE CONTACT	6 2 3 4 5
-	COPPER ALLOY	METAL NUT	5 2 3 4 5
-	-	O-RING	4 1 1 1 1
-	COPPER ALLOY	M12,MALE,METAL BODY	3 1 1 1 1
BLACK	NYLON	M12,MALE HSG, D CODE, 5PINS	2 1 1 1 1

THIS DRAWING IS A CONTROLLED DOCUMENT.

DWN BO GAO 11APR2016  
 CHK KOBBY ZHAO 11APR2016  
 APVD XIANG XU 11APR2016

TE Connectivity

M12 PANEL MOUNT CONNECTOR D CODE, FEMALE, FRONT MOUNTING

108-106140  
 114-137144

SIZE A2 CAGE CODE - DRAWING NO. G-T417131050X00L RESTRICTED TO -  
 SCALE 3:1 SHEET 1 OF 1 REV A2