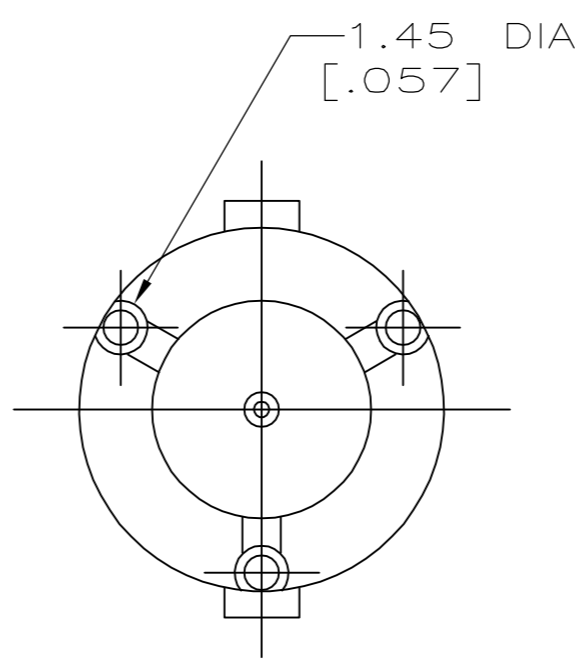
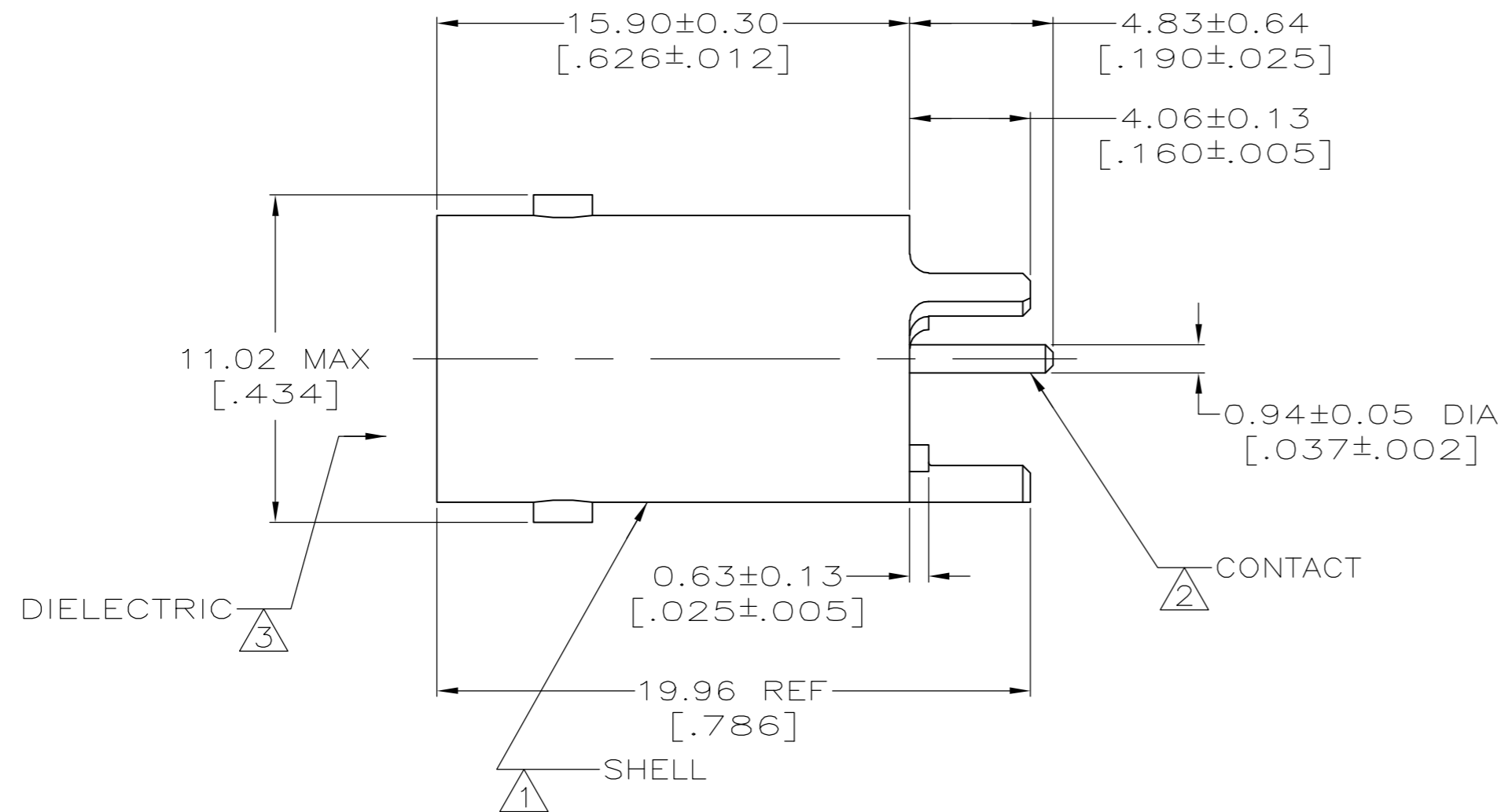
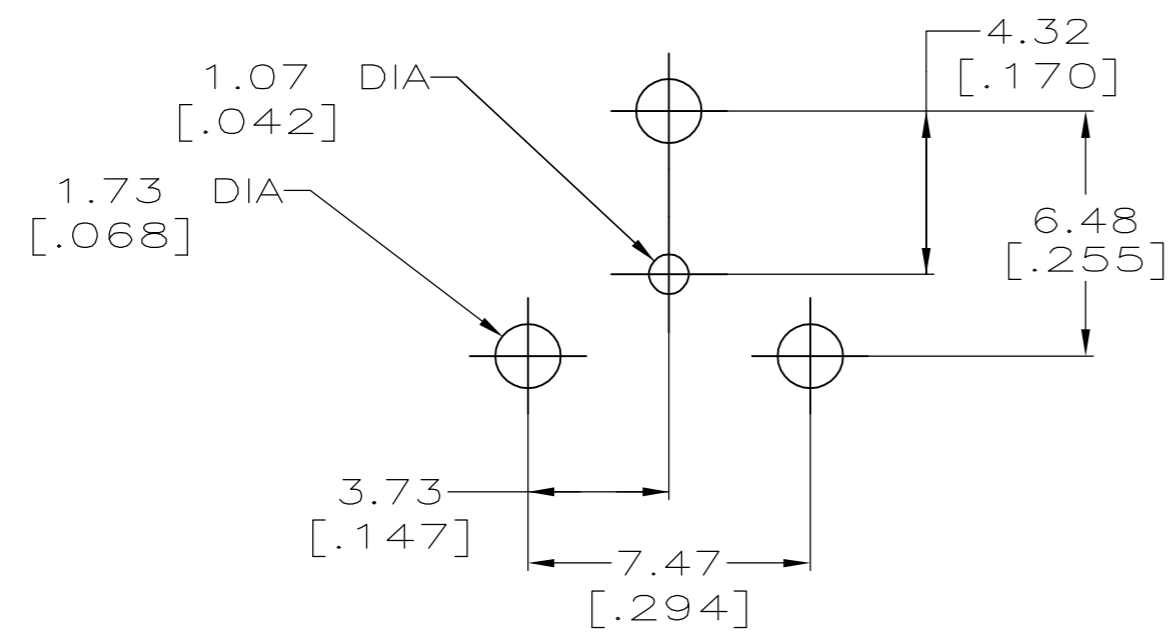


THIS DRAWING IS UNPUBLISHED. RELEASED FOR PUBLICATION  
 © COPYRIGHT BY TYCO ELECTRONICS CORPORATION. ALL RIGHTS RESERVED.

LOC	DIST	REVISIONS					
		P	LTR	DESCRIPTION	DATE	DWN	APVD
AJ	00		H2	REVISED PER ECO 06-029805	2/5/2007	DW	JL



- ① ZINC PER QQ-Z-363.
- ② PHOSPHOR BRONZE PER ASTM-B-139.
- ③ POLYESTER PER ASTM-D-3220.
- ④ TIN PLATE PER ASTM-B-545, 2.54 μm [.000100] MIN THICK.
- ⑤ GOLD PLATE PER MIL-G-45204 0.76 μm [.000030] MINIMUM THICK.
- ⑥ SILVER PLATE PER QQ-S-365 2.54 μm [.000100] MINIMUM THICK.
- 7. FOR USE WITH .095 MAX THK PC BOARD.
- 8. SEE INSTRUCTION SHEET 408-9889.
- ⑨ TIN-LEAD PLATE PER ASTM-B-545, 2.54μm [.000100] MIN THICK.



OBSOLETE	④	⑤	9-221123-0
OBSOLETE	⑨	④	221123-3
	⑨	⑤	221123-2
OBSOLETE	⑨	⑥	221123-1
	SHELL PLATING		PART NUMBER
	CONTACT PLATING		

THIS DRAWING IS A CONTROLLED DOCUMENT.		DWN J. LIPPERT 1-18-93	Tyco Electronics Corporation	
DIMENSIONS: mm [INCHES]		CHK A. GABANY 1-19-93	Harrisburg, PA 17105-3608	
TOLERANCES UNLESS OTHERWISE SPECIFIED:		APVD A. GABANY 1-19-93	NAME JACK, VERTICAL, PCB, 50 Ohm, COMMERCIAL BNC	
0 PLC ± -		PRODUCT SPEC 108-12078	SIZE A2	CAGE CODE 00779
1 PLC ± -		APPLICATION SPEC	DRAWING NO C=221123	RESTRICTED TO
2 PLC ± 0.08 [.003]			SCALE 5:1	SHEET 1 of 1
3 PLC ± -			REV H2	
4 PLC ± -				
ANGLES ± -				
FINISH		WEIGHT -		
SEE NOTES 1 - 3		CUSTOMER DRAWING		
SEE NOTES 4 - 6				