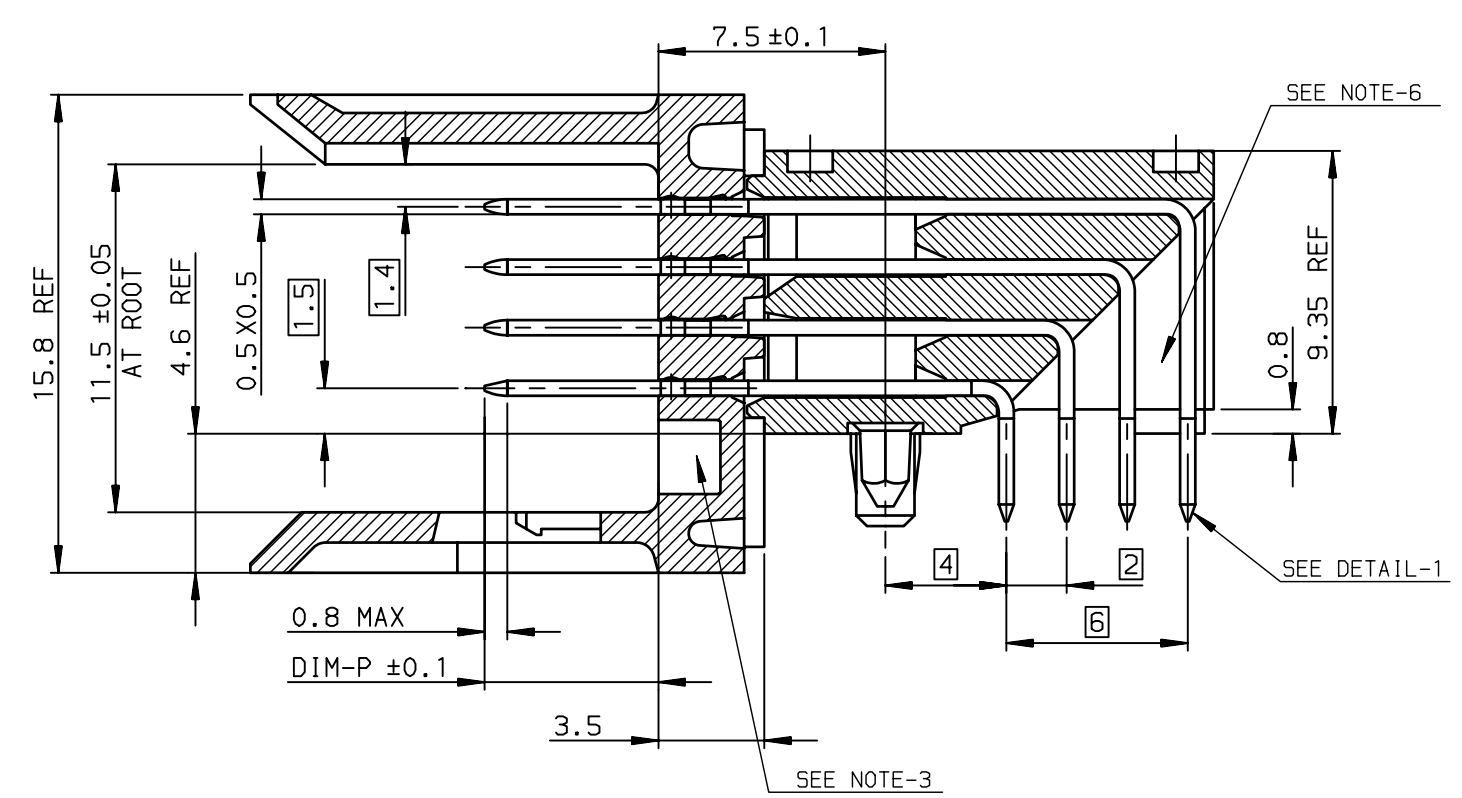


NOTE-2: ONE CENTER PEG FOR HOLD DOWN FORCE
 NOTE-3: CODING RECESS FOR 8MM EXTENDED KEYS
 NOTE-4: PRODUCT MARKING = FCI + BATCH CODE + PRODUCT NUMBER
 FOR 4 MODULE SIZE, ADD CSA LOGO MARKING
 NOTE-6: CENTRAL WALL WITH END REAR SUPPORT
 NOTE-7: PACKAGING IN TRAY + COVER
 IF SUFFIX "P" IS ADDED IN P/N PACKAGING IS IN TRAYS
 BUT CONNECTOR MARKING IS WITHOUT "P"
 EXAMPLE: HM1XXXXXXXXXH6P, MARKED HM1XXXXXXXXXH6

SECTION-A SCALE: 4/1



GENERAL CHARACTERISTICS AND ROHS INFORMATIONS:
 SEE PRODUCT SPECIFICATION GS-12-446

OTHERS INFORMATIONS, SEE DRW C-8626-0156-2

European Views

www.fciconnect.com		surface ISO 1302	tolerance std ISO 406 ISO 1101	projection mm
TOLERANCES UNLESS OTHERWISE SPECIFIED				size A3
Dr	CHAMPION	1994/09/09	ANGULAR	0.X ±0.1
Eng	TARON	1994/09/09	LINEAR	0.XX ±0.1
Chr	LEGARE	1994/09/09	0.XX' ±2'	0.XXX ±0.1
Appr	LEGARE	1994/09/09	Product family	METRAL
Product family				Spec ref -
title METRAL RA HEADER WB CONVERGED			dwg no C-8626-0156-1	Rev. J
catalog no			CUSTOMER	sheet 1 of 2

rev	ecn no	dr	date
F	-	CHA	2003/07/03
G	LS05-0070	MRA	2005/08/24
H	LS06-0097	LGO	2006/07/13
J	LS07-0184	MLE	2007/07/24
-	-	-	-
-	-	-	-
-	-	-	-



Copyright FCI.

TINE LEAD PART NUMBER

PART NUMBER / CONTACT LOADING							SP N°
DIM-P ±0.10				DIM-D ±0.3	P/N AND PERFORMANCE LEVEL		
ROW-A	ROW-B	ROW-C	ROW-D				
5.00	5.00	5.00	5.00	TABLE-2	HM1L43A×P000H6P		
5.75	5.75	5.75	5.75	TABLE-2	HM1L43L×P000H6P		
6.50	6.50	6.50	6.50	TABLE-2	HM1L43D×P000H6P		
6.50	5.00	5.00	5.00	TABLE-2	HM1L43B×P000H6P		
6.50	5.75	5.75	6.50	TABLE-2	HM1L43C×P000H6P		
5.00	5.00	6.50	5.00	TABLE-2	HM1L43Z×P110H6P	110	
5.00	5.75	6.50	5.00	TABLE-2	HM1L43Z×P430H6P	430	
5.00	5.75	5.00	5.00	TABLE-2	HM1L43Z×P448H6P	448	
5.75	5.00	5.00	5.00	TABLE-2	HM1L43Z×P009H6P	009	
5.75	6.50	5.75	5.00	TABLE-2	HM1L43Z×P424H6P	424	
6.50	5.75	6.50	5.75	TABLE-2	HM1L43Z×P037H6P	037	
6.50	5.75	5.00	5.75	TABLE-2	HM1L43Z×P102H6P	102	
6.50	6.50	6.50	5.75	TABLE-2	HM1L43Z×P135H6P	135	
6.50	5.75	5.75	5.75	TABLE-2	HM1L43Z×P369H6P	369	

DIM-D=2.9 / replace 'x' by 'A' in the P/N
 DIM-D=3.7 / replace 'x' by 'B' in the P/N

STANDARD MATING LENGTHS = 5.75 (AND 5.00-6.50)
 STANDARD TERMINATION LENGTH = 2.90

TABLE-2

LEAD FREE PART NUMBER

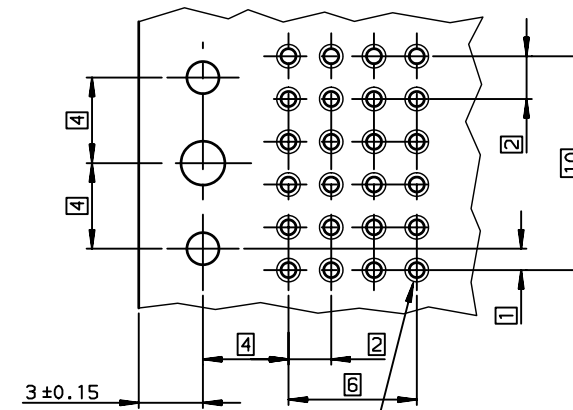
PART NUMBER / CONTACT LOADING							SP N°
DIM-P ±0.10				DIM-D ±0.3	P/N AND PERFORMANCE LEVEL		
ROW-A	ROW-B	ROW-C	ROW-D				
5.00	5.00	5.00	5.00	TABLE-2	HM1L43A×P000H6PLF		
5.75	5.75	5.75	5.75	TABLE-2	HM1L43L×P000H6PLF		
6.50	6.50	6.50	6.50	TABLE-2	HM1L43D×P000H6PLF		
6.50	5.00	5.00	5.00	TABLE-2	HM1L43B×P000H6PLF		
6.50	5.75	5.75	6.50	TABLE-2	HM1L43C×P000H6PLF		
5.00	5.00	6.50	5.00	TABLE-2	HM1L43Z×P110H6PLF	110	
5.00	5.75	6.50	5.00	TABLE-2	HM1L43Z×P430H6PLF	430	
5.00	5.75	5.00	5.00	TABLE-2	HM1L43Z×P448H6PLF	448	
5.75	5.00	5.00	5.00	TABLE-2	HM1L43Z×P009H6PLF	009	
5.75	6.50	5.75	5.00	TABLE-2	HM1L43Z×P424H6PLF	424	
6.50	5.75	6.50	5.75	TABLE-2	HM1L43Z×P037H6PLF	037	
6.50	5.75	5.00	5.75	TABLE-2	HM1L43Z×P102H6PLF	102	
6.50	6.50	6.50	5.75	TABLE-2	HM1L43Z×P135H6PLF	135	
6.50	5.75	5.75	5.75	TABLE-2	HM1L43Z×P369H6PLF	369	

DIM-D=2.9 / replace 'x' by 'A' in the P/N
 DIM-D=3.7 / replace 'x' by 'B' in the P/N

STANDARD MATING LENGTHS = 5.75 (AND 5.00-6.50)
 STANDARD TERMINATION LENGTH = 2.90

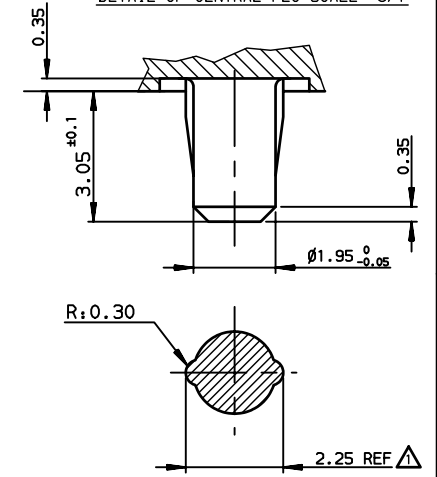
TABLE-2

RECOMMENDED PCB LAYOUT
 PER 12MM LENGTH

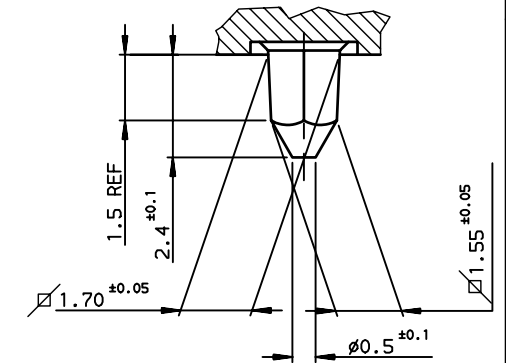


Hole according to product spec
 65-12-445 (for press-fit),
 65-12-446 (for STB)

DETAIL OF CENTRAL PEG SCALE 8/1



DETAIL OF LOCATING PEGS (2x) SCALE 8/1



OTHERS INFORMATIONS, SEE DRW C-8626-0156-1

European Views

www.fciconnect.com		surface ISO 1302	tolerance std ISO 406 ISO 1101	projection mm
		TOLERANCES UNLESS OTHERWISE SPECIFIED		
Dr	CHAMPION	1994/09/09	ANGULAR	0.X ±0.1
Eng	LENOIR	1994/09/09	LINEAR	0.XX ±0.1
Chr	LEGARE	1994/09/09	0.XX ±2°	0.XXX ±0.1
Appr	LEGARE	1994/09/09	Product Family	ECN LS07-0184
Product Family				METRAL Spec ref -
FCI title METRAL RA HEADER WB CONVERGED 4x24 CTS - STB - PUSH PEG				Rev. J
catalog no				C-8626-0156-2 sheet 2 of 2

