

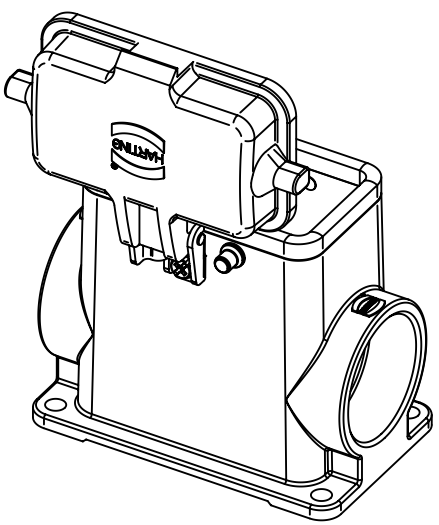
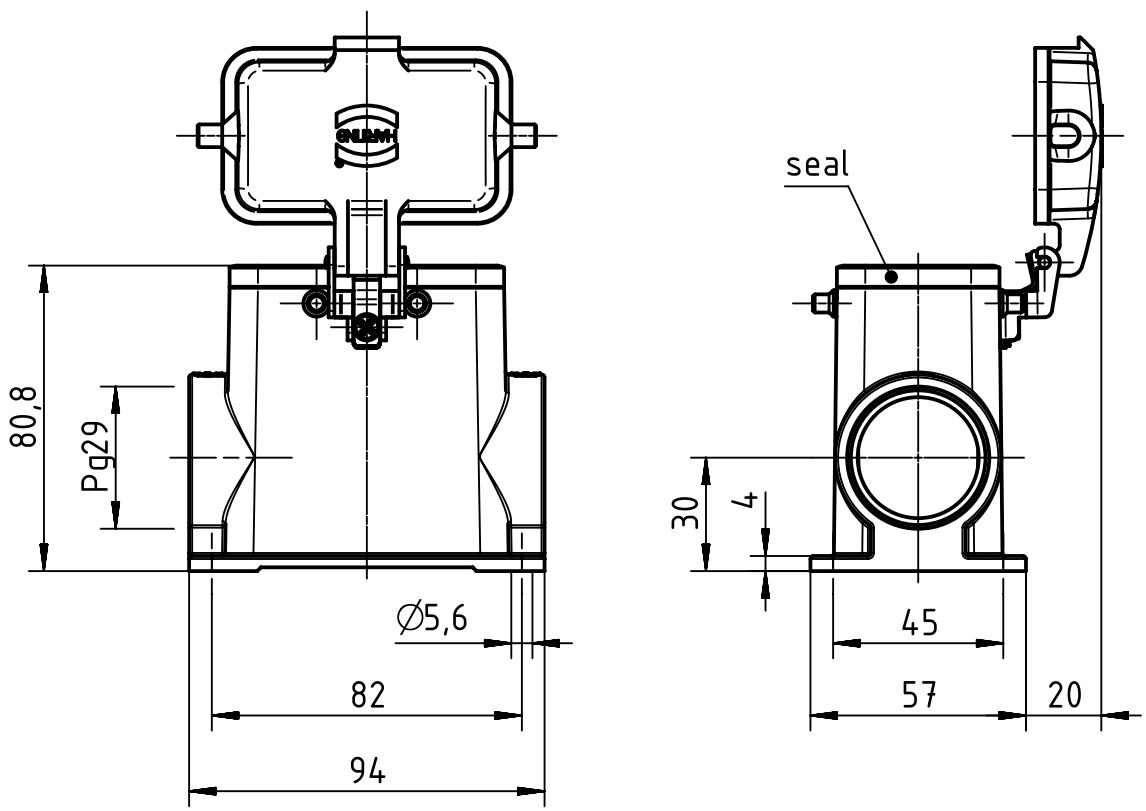
1 2 3 4 5 6

A

B

C

D



	All Dimensions in mm Original Size DIN A4		Scale 1:2	Free size tol.		Ref. Sub. TB 09 30 010 0223 v. 11.04.11			
		All rights reserved Department EL PD - DE		Created by SPRENB	Inspected by BERGHORN	Standardisation TIEMANNA	Date 2014-01-30	State Final Release	
HARTING Electric GmbH & Co. KG D-32339 Espelkamp				Title Han 10B-asg1-K-29			Doc-Key / ECM-Nr. 100208944/UGD/004/A 500000071121		
				Type TB	Number 09 30 010 0223			Rev. A	Page 1/1