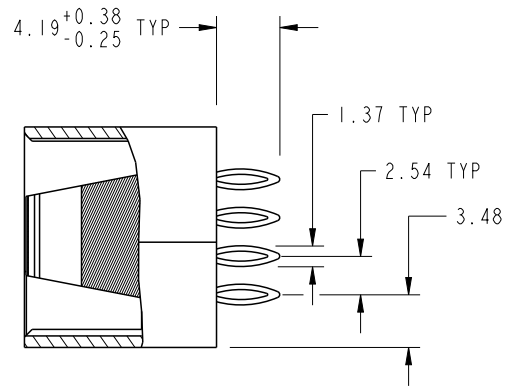


CODE	DIM "M" MATING LENGTH	CONTACT TYPE
PC	[N/A]	POWER

spec ref	-	dr	Ruan MT	2014/07/14	projection	MM	size	A4	scale	1:1
tolerance std	TOLERANCES UNLESS OTHERWISE SPECIFIED	eng	De-Ming Lu	2014/07/16		←→	ecn no	-	rel level	Released
SEE NOTE		chr	-	-						
surface		appr	Pei-Ming Zheng	2014/07/16						
	linear	0.X	±0.5		title	12ACP	dwg no	51963-088	rev	A
		0.XX	±0.25							
		0.XXX	±0.1							
	angular	0°	±2°	www.fci.com	cat. no.	&model_name	Product - Customer Drw	sheet 1 of 4		

PRODUCT NUMBER

51963-088\_\_  
NOTE 3



SECTION B-B  
SCALE 2:1



Copyright FCI.

dr	Ruan MT	2014/07/14	projection 	MM 	size	A4	scale	1:1	
eng	De-Ming Lu	2014/07/16			ecn no	-			
chr	-	-							
appr	Pei-Ming Zheng	2014/07/16	product family	PwrBlade	rel level	Released			
	title	I2ACP VERTICAL PF HEADER			dwg no	51963-088		rev	A
www.fci.com	cat. no.	&model_name	Product - Customer Drw			sheet 2 of 4			



PRODUCT NUMBER  
51963-088\_\_  
NOTE 3

NOTES:

1. DIMENSIONS AND TOLERANCES ARE IN ACCORDANCE WITH ASME Y14.5M, 1994 UNLESS OTHERWISE SPECIFIED.

CONNECTOR NOTES:

- ② HOUSING MATERIAL: UL 94 V-0 GLASS FILLED HIGH-TEMP THERMOPLASTIC  
POWER CONTACT MATERIAL: COPPER ALLOY  
SIGNAL PIN MATERIAL: COPPER ALLOY
- 3. PLATING:  
SEE ITEM 3 & 4 IN PRINT 10064183 FOR PLATING SPEC OF 51963-088; 51963-088LF PRESPECTIVELY

④ MANUFACTURER'S NAME, DATE CODE AND OPTIONAL P/N TO APPEAR ON THIS SURFACE. THE P/N CAN BE OMITTED IF THERE IS NOT ENOUGH SPACE ON THIS SURFACE

5. PRODUCT SPECIFICATION GS-12-149. APPLICATION SPECIFICATION BUS-20-067.

6. PACKAGED IN TRAYS.

PCB NOTES:

- 7. ALL HOLE DIAMETERS ARE FINISHED HOLE SIZE.
- 8. MOUNTING HOLES, WHERE APPLICABLE, ARE UNPLATED.

⑨  $\varnothing 1.151 \pm 0.025$  DRILLED HOLES PLATED WITH 0.008 MIN SnPb OR Sn OVER .001 [0.03] TO 0.08 Cu PLATING TO ACHIEVE  $\varnothing 1.02 \pm .07$  HOLE.

⑩ DATUM AND BASIC DIMENSIONS ARE ESTABLISHED BY CUSTOMER.

⑪ CONNECTOR KEEP-OUT ZONE.



Copyright FCI.

dr	Ruan MT	2014/07/14	projection 	MM 	size	A4	scale	1:1	
eng	De-Ming Lu	2014/07/16			ecn no	-			
chr	-	-							
appr	Pei-Ming Zheng	2014/07/16	product family	PwrBlade	rel level	Released			
		title	I2ACP VERTICAL PF HEADER		dwg no	51963-088		rev	A
www.fci.com		cat. no.	&model_name	Product - Customer Drw		sheet 4 of 4			