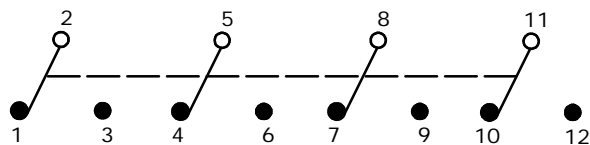
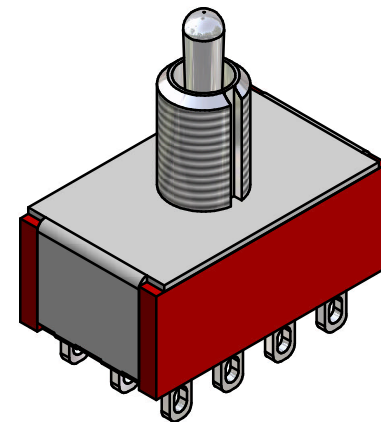
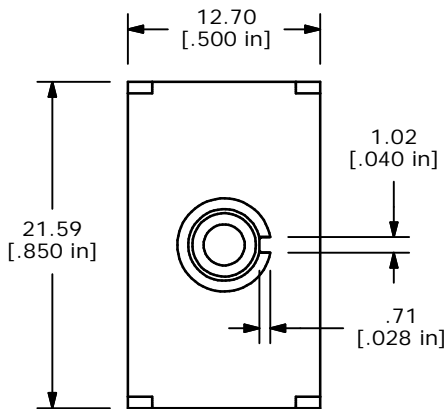
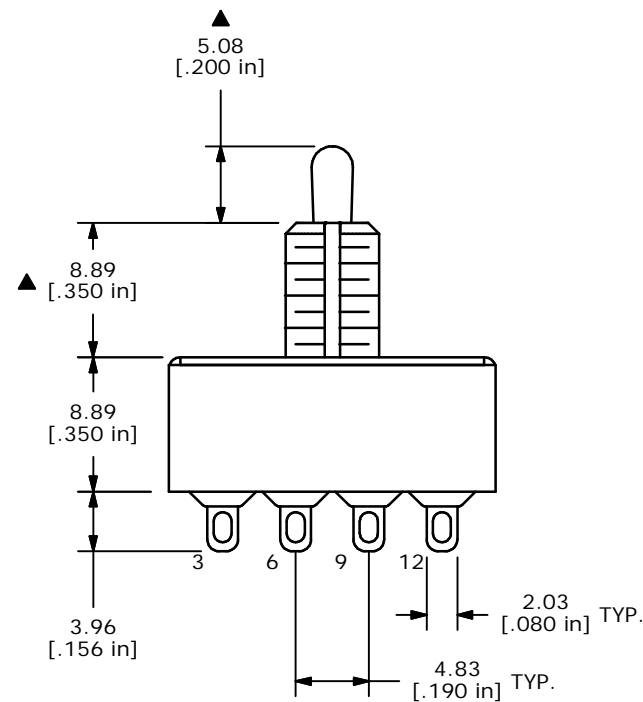
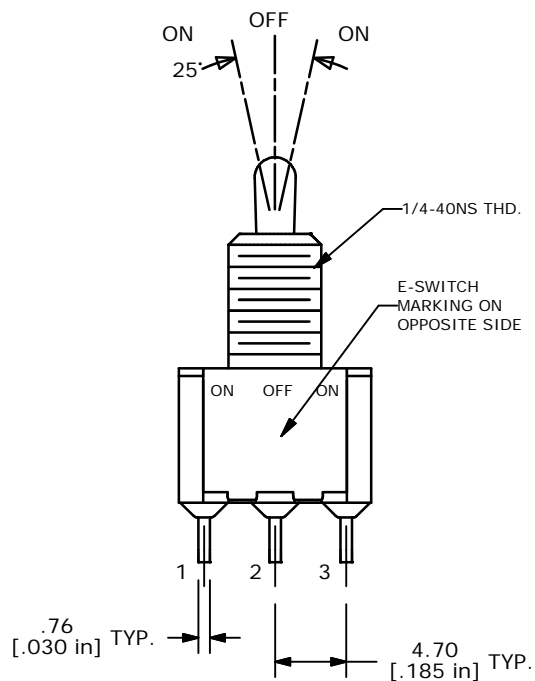


| SWITCH FUNCTION | | |
|-------------------------|--------|-------------------------|
| POS. 1 | POS. 2 | POS. 3 |
| | | |
| ON | OFF | ON |
| 2-3, 5-6, 8-9, 11-12 | OPEN | 2-1, 5-4, 8-7, 11-10 |



CIRCUI: 4PDT



NOTE:

1. ALL DIMENSIONS IN MM [INCH]
2. GENERAL TOLERANCE: X.X=±0.4
X.XX=±0.25
3. TERMINAL NUMBERS FOR REF ONLY
- ▲ 4. PLATING MATERIAL: SILVER
5. RATING: 0.4 (VA) Max. @20V Max.
6. ELECTRIC LIFE: 40,000 make-and-break cycles at full load.
7. INSULATION RESISTANCE: 1,000 Mega-ohm min.
8. DIELECTRIC STRENGTH: 1,000 V RMS @sea level.
9. OPERATING TEMP.: -30°C to 85°C
10. ▲ DENOTES CRITICAL PARAMETER.

E-SWITCH®

TITLE 1004P3T2B1M1QE

| | | | | |
|-----|--------|-------------------------|---------|----|
| A | 13511 | RELEASED FOR PRODUCTION | 10/6/03 | AR |
| REV | PCR NO | DESCRIPTION | DATE | BY |

| | | | | |
|-------|---------|----|---------|-----|
| SCALE | DATE | DR | DWG | REV |
| 2:1 | 10/6/03 | AR | T143001 | A |

THE INFORMATION CONTAINED IN THIS DOCUMENT IS PROPRIETARY TO E-SWITCH AND IS NOT TO BE COPIED OR TRANSFERRED