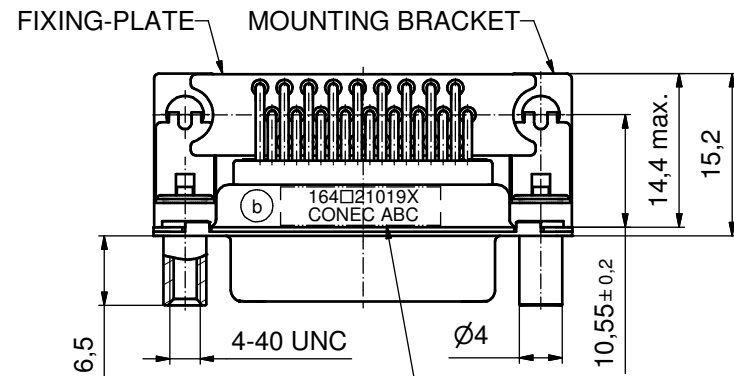
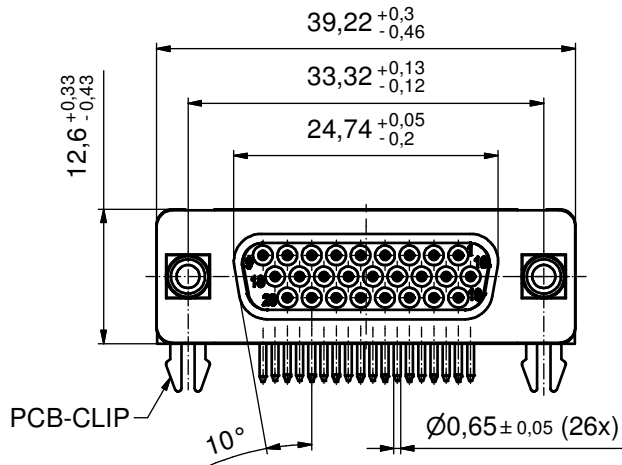
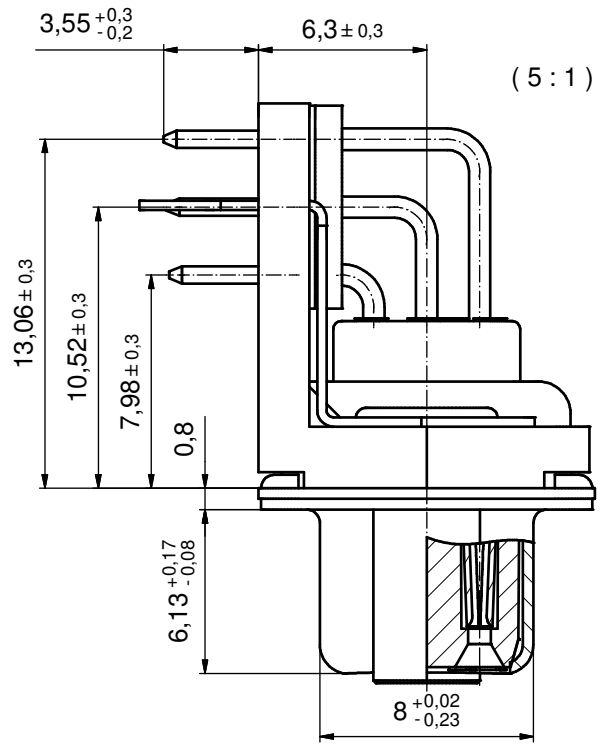
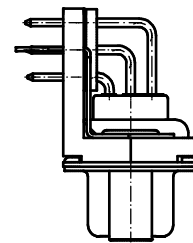
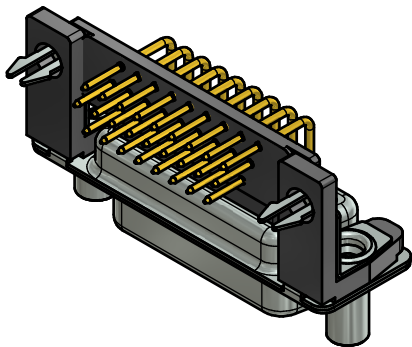


P.C.B. HOLE DRILLINGS (PCB TOP SIDE)



SEE NOTE 9



NOTES:

- METALSHELLS: STEEL; min. 315µm TIN over 40-80µm NICKEL
- INSULATORS: PBT GF UL 94 V-0, BLACK
- CONTACTS: COPPER ALLOY; PLATING (SEE PART NO.):
 - PLEASE ADD A for GOLD FLASH over NICKEL (PREFERRED TYPE)
 - PLEASE ADD B for 20µm HARD GOLD over min. 50µm NICKEL
 - PLEASE ADD C for 30µm HARD GOLD over min. 50µm NICKEL
 - PLEASE ADD J for 50µm HARD GOLD over min. 50µm NICKEL
- MOUNTING BRACKETS: PBT GF UL 94 V-0; BLACK
- THREADED LOCKS: COPPER ALLOY; min. 200µm TIN over 80µm NICKEL
- GROUNDING CLIPS: COPPER ALLOY; min. 200µm TIN over 80µm NICKEL
PCB-HOLE: ø3,1±0,1mm; PCB-THICKNESS: 1,6mm
- FIXING PLATE: PBT GF UL 94 V-0; BLACK
- MAXIMUM TORQUE VALUE FOR THREAD: 6 in.LB
- CONNECTOR IS PART MARKED: 164□21019X CONEC ABC (see note 3)

RoHS compliant

THIS DRAWING MAY NOT BE COPIED OR REPRODUCED IN ANY WAY, AND MAY NOT BE PASSED ON TO A THIRD PARTY WITHOUT WRITTEN PERMISSION. OWNERSHIP AND COPYRIGHT OF CONEC GmbH DO NOT ALTER CAD DRAWING BY HAND				tolerance		dim. in mm	scale: 2:1 (5:1)	
				date			material: SEE NOTES	
		name		drawn 02.11.09 Sonnenberg		title: D-SUB HD FEMALE 90° 26pos. SOLDER PIN ANGLED 0.350inch threaded lock, mounting bracket, grounding clip dwg no: 16K1A2569 part no: (b) 164□21019X (see note 3)		
		appd. 02.11.09 Koch		norm				
		d-old		rev. description date name				
3 x b		Ä5482 08.01.2015 K.H.		CONEC®				