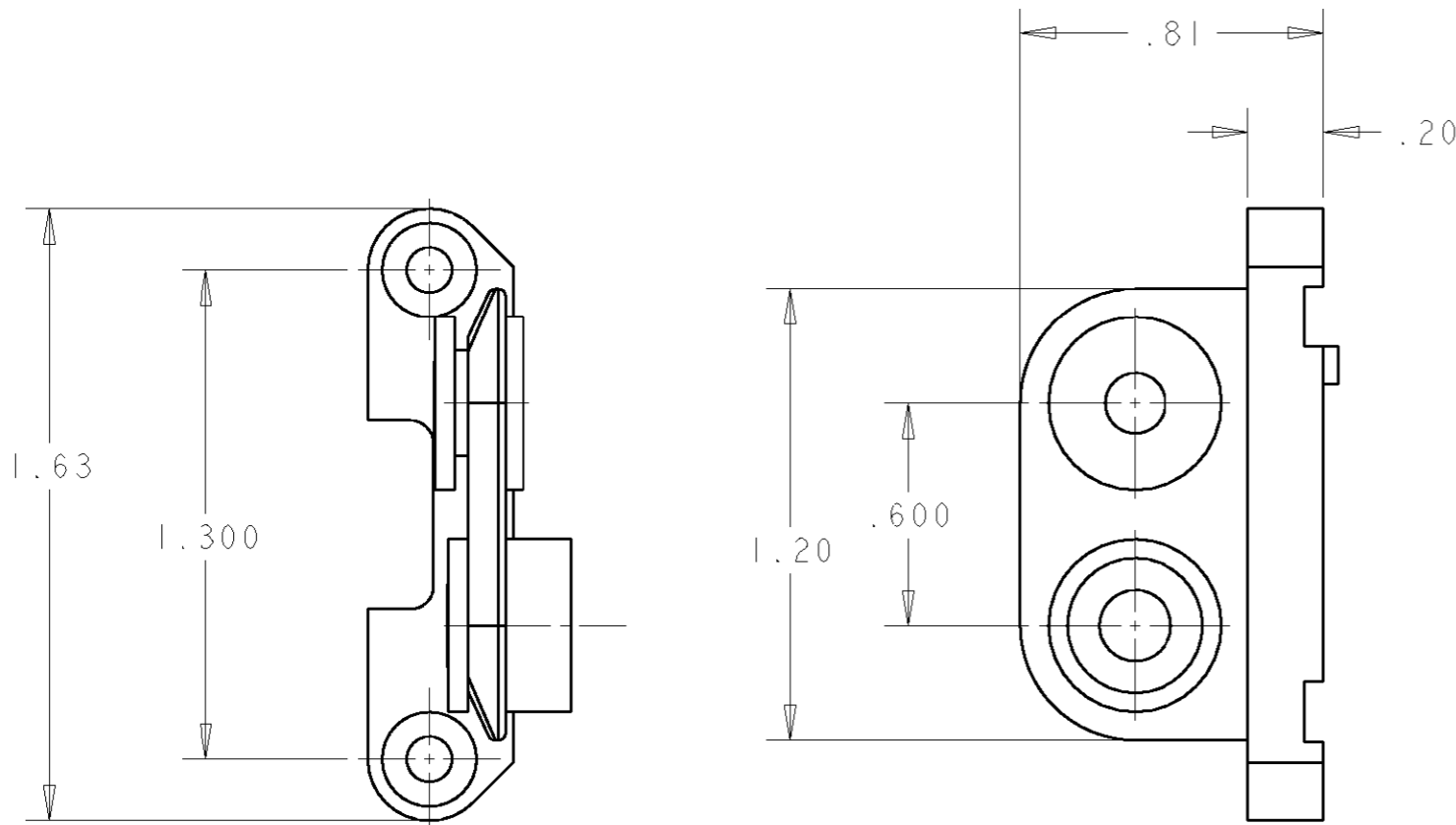


THIS DRAWING IS UNPUBLISHED. RELEASED FOR PUBLICATION 20
 © COPYRIGHT 20 BY TYCO ELECTRONICS CORPORATION. ALL RIGHTS RESERVED.

LOC	DIST	REVISIONS			
P	LTR	DESCRIPTION	DATE	DWN	APVD
GP	00	A	NEW RELEASE	14NOV2007	RG DO



- PART NUMBER CHANGES AND/OR DESIGN CHANGES AFFECTING ITEM INTERCHANGEABILITY REQUIRE PRIOR TYCO ELECTRONICS APPROVAL AND AUTHORIZATION BY REVISION TO THIS DRAWING.
- ITEMS PROVIDED TO THIS SPECIFICATION TO BE PERMANENTLY IDENTIFIED ON THE CONTAINER PER THE FOLLOWING IDENTIFIER:

TYCO ELECTRONICS P/N
 XXXXXXXX-X

DATE CODE (e.g. 0212)
 YEAR 1 WEEK 1
 XXXX

AS SHOWN	6648252-1
DESCRIPTION	PART NO.

<small>THIS DRAWING IS A CONTROLLED DOCUMENT FOR TYCO ELECTRONICS CORPORATION IT IS SUBJECT TO CHANGE AND THE CONTROLLING ENGINEERING ORGANIZATION SHOULD BE CONTACTED FOR THE LATEST REVISION.</small>		DWN	14NOV2007	Tyco Electronics Harrisburg, PA 17105-3608							
DIMENSIONS: INCHES		CHR	14NOV2007								
		APVD	14NOV2007								
TOLERANCES UNLESS OTHERWISE SPECIFIED: 0 PLC ±- 1 PLC ±- 2 PLC ±.02 3 PLC ±.010 4 PLC ±- ANGLES ±-		PRODUCT SPEC	-	NAME	END CAP, FLOAT MOUNT BUSHING GUIDE DOMINO						
MATERIAL	-	FINISH	-	SIZE	A300779	CAGE CODE	C-6648252	DRAWING NO	6648252	RESTRICTED TO	-
CUSTOMER DRAWING				SCALE	2:1	SHEET	1	OF	1	REV	A

ELCON

DOMINO