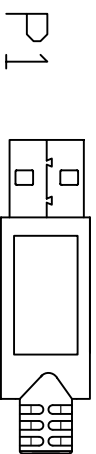
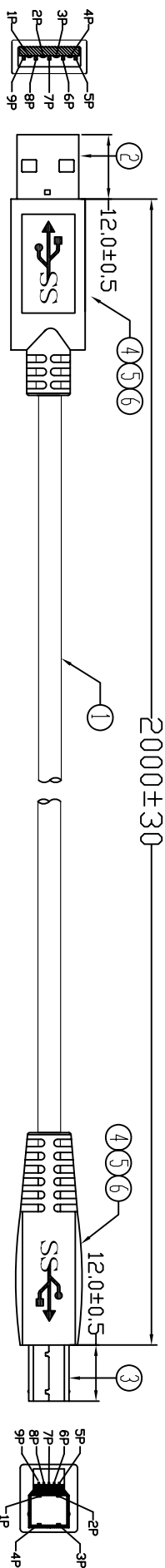
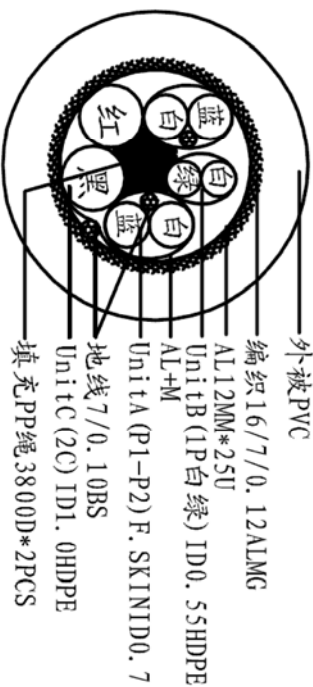


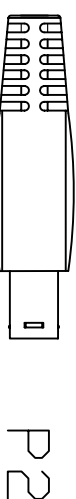
UNIT:mm



USB3.0 A/M MOLDING TPE
(USB3.0 A/公头 成型式)
OUTER MOLD NO:HU-CT-179
(模具编号)



DETAIL A-A

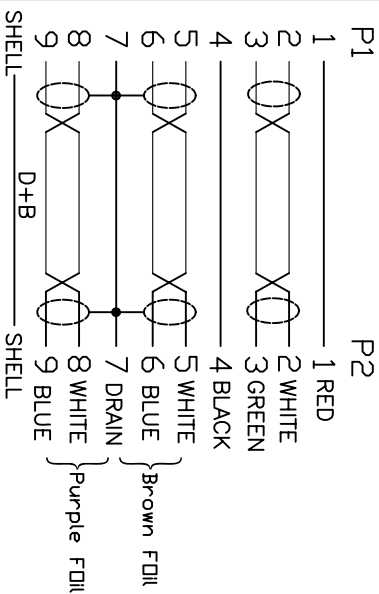


USB3.0 B/M MOLDING TPE
(USB3.0 B/公头 成型式)
OUTER MOLD NO:HU-CT-180
(模具编号)

Electronic Test:

- 1.100% Test:(Open,Short,Miss Wire)
- 2.Contact Resistance:2 ohm max.
- 3.Insulation Resistance:10M ohm min.
- 4.Hi-Pot:300V DC/10ms

PIN ASSIGNMENT



⑥	TUBE	4	HEAT SHRINK TUBE BLACK OD3.0*L=6mm.
⑤	TUBE	2	HEAT SHRINK TUBE BLACK OD0.8*L=9mm.
④	OUT JACKET	25g	OUTER MOLD:45P PVC COLOR:BLACK
③	CONN	1	USB3.0 B MALE TYPE SOLDER TYPE PIN-15U" INSULATION COLOR:BLUE SHELL-NICKEL
②	CONN	1	USB3.0 A MALE TYPE SOLDER TYPE PIN-15U" INSULATION COLOR:BLUE SHELL-NICKEL
①	CABLE	1	USB3.0 [(30AWG*1P+D+AL+M)*2P+30AWG*1P+24AWG*2C+ADB PVC JACKET:BLACK OD4.8±0.2

SPECIFICATION

CnC Tech, LLC
Industrial Cable and Connector Technology

DRAWN BY	ZHONGHS	DRAWING NO.	
CHECKED BY		CUSTOMER	
APPROVAL BY		ITEM NO.	103-1030-BL-00200
DECIDE BY		DATE	2012-02-16
VERSIONS/EDITION	A/0	PROJECTION	