


CRIMP SPECIFICATION

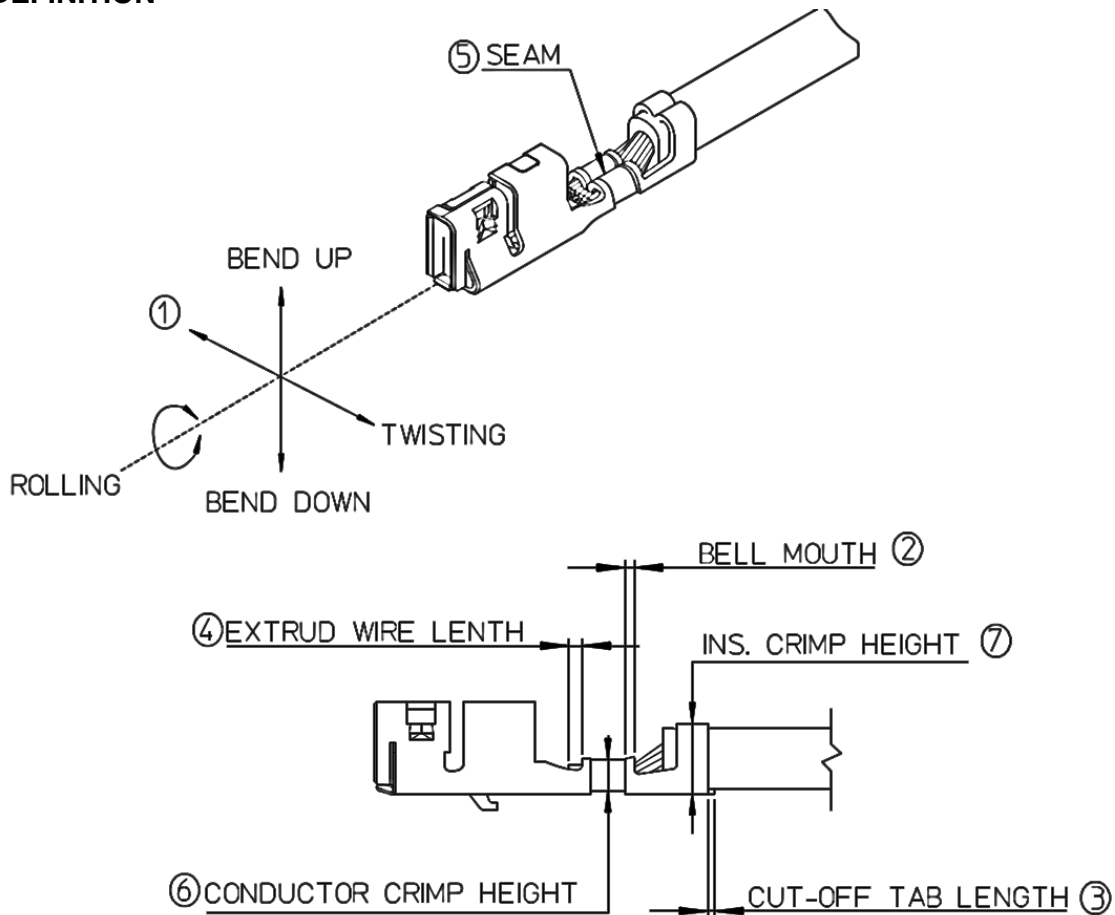
1. SCOPE

THIS STANDARD SPECIFICATION THE DIMENSION AFTER CRIMPING OF THE TERMINAL UNDER MENTIONED.

PRODUCT NAME	PART NUMBER	WIRE RANGE	INSULATION DIA. (* Notes)
NEW 2.0 W/B CRIMP REC DuraClik™ ISL SERIES	560124-01*1 	AVSS 0.3 mm ²	1.4~1.5 mm
		FLRY-A 0.35 mm ²	1.3 mm Max.
		Mocar150C 0.35 mm ²	

- * Notes : The AVSS 0.3 mm² wire qualified per I IPC-A620, optimum insulation OD 1.4mm Max.
The FLRY-A 0.35 mm² and Mocar 150C 0.35 mm² wire qualified per USCAR21 Rev3.


2. DEFINITION



REVISION:	ECR/ECN INFORMATION:	TITLE:	SHEET No.
A2	EC No: KTR2016-0049 DATE: 2016/02/02	DuraClik™ ISL W/B TERMINAL CRIMP SPECIFICATION	1 of 2
DOCUMENT NUMBER:	CREATED / REVISED BY:	CHECKED BY:	APPROVED BY:
CS-560124-001	JW KIM	BC YOON	JY CHOI


CRIMP SPECIFICATION

3. SPECIFICATION

No. of FIG1	ITEM	REQUIREMENT
①	BEND UP	4° MAX.
	BEND DOWN	3° MAX.
	TWISTING	3° MAX.
	ROLLING	4° MAX.
②	BELL MOUTH	0.05~0.35mm
③	CUT-OFF TAB LENGTH	0 ~ 0.15mm MAX.
④	EXTRUDED WIRE LENGTH	0~0.5 mm
⑤	SEAM	SEAM SHALL NOT BE OPENED AND NO WIRE ALLOWED OUT OF CRIMPING AREA.
----	WIRE STRIP LENGTH 	1.3~1.8 mm / (0.30 mm ²)
		(2.0 mm) / (0.35 mm ²)

4. CONDITION [⑥ AND ⑦ OF (FIG.1)]

AFTER CRIMPING, THE CRIMPED AREAS SHOULD BE AS FOLLOWS.

PART NO.	WIRE SIZE	CONDUCTOR (mm)		INSULATION (mm)		CRIMP STRENGTH (Kg.f)
		CRIMP WIDTH	CRIMP HEIGHT	CRIMP WIDTH (REF)	CRIMP HEIGHT	
560124-0101 	AVSS 0.30mm ²	1.25 ±0.05	0.73 ~ 0.78	(1.55)	1.50±0.05	6.0 Min.
	FLRY-A 0.35mm ²	1.25 ±0.05	0.705±0.025	(1.55)	1.33±0.05	6.0 Min
	Mocar 150C 0.35mm ²	1.25 ±0.05	0.705±0.025	(1.55)	1.33±0.05	6.0 Min

REVISION: A2	ECR/ECN INFORMATION: EC No: KTR2016-0049 DATE: 2016/02/02	TITLE: DuraClik™ ISL W/B TERMINAL CRIMP SPECIFICATION	SHEET No. 2 of 2
DOCUMENT NUMBER: CS-560124-001	CREATED / REVISED BY: JW KIM	CHECKED BY: BC YOON	APPROVED BY: JY CHOI