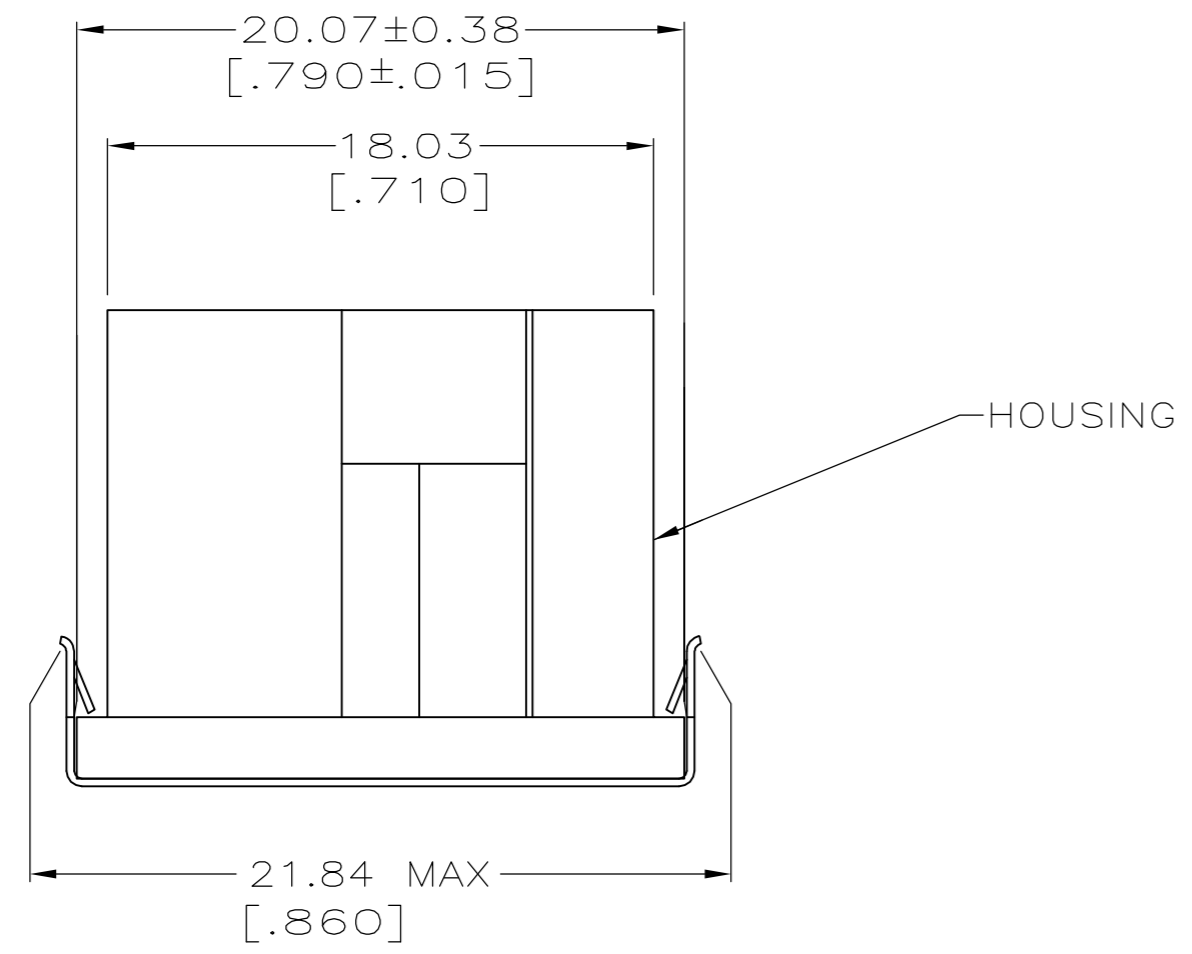
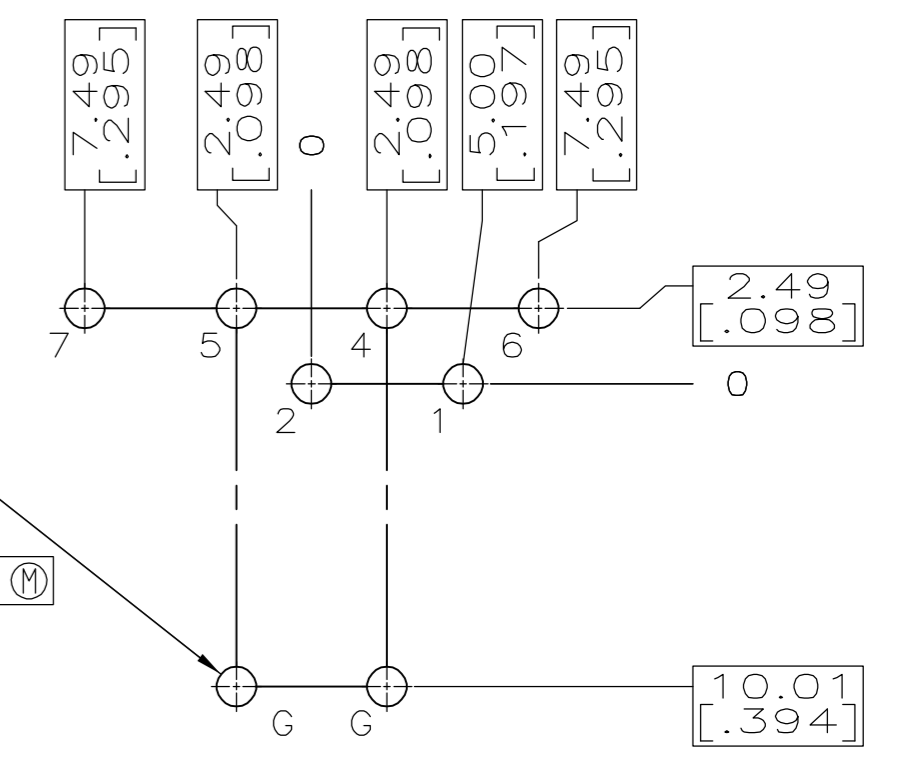


THIS DRAWING IS UNPUBLISHED. RELEASED FOR PUBLICATION  
 © COPYRIGHT BY TYCO ELECTRONICS CORPORATION. ALL RIGHTS RESERVED.

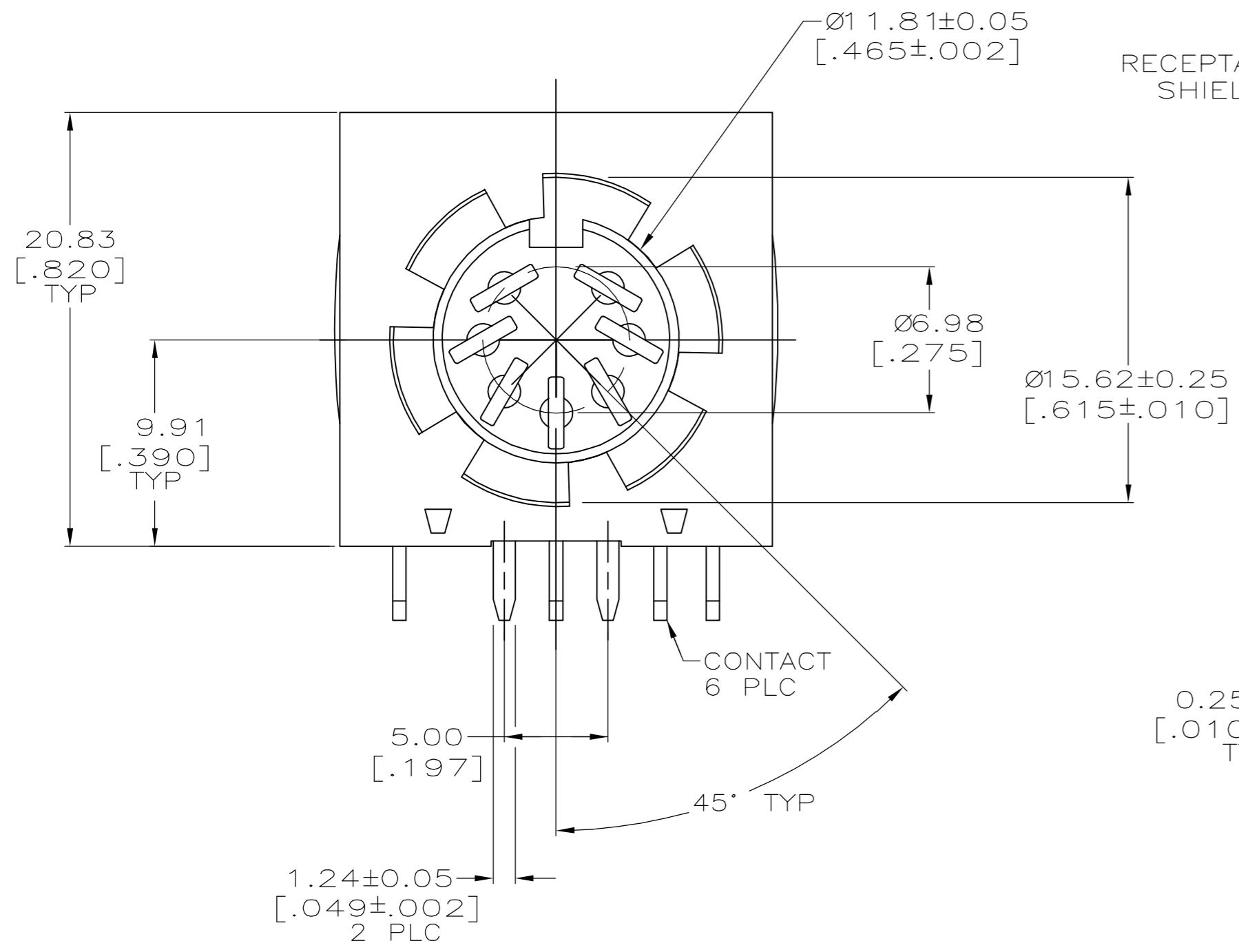
LOC	DIST	REVISIONS			
P	LTR	DESCRIPTION	DATE	DWN	APVD
GP	00				
	01	REVISED PER ECO-07-008008	10APR07	JDP	CWR



HOUSING



RECOMMENDED PC BOARD LAYOUT AND CIRCUIT IDENTIFICATION



RECEPTACLE SHIELD

Ø1 1.81±0.05 [.465±.002]

Ø6.98 [.275]

Ø15.62±0.25 [.615±.010]

CONTACT 6 PLC

45° TYP

- 1 HOUSING: NYLON, UL 94V-0 RATED, BLACK.
- 2 CONTACT AND RCPT SHIELD: 2.54µm [.000100] MIN TIN OVER 1.27µm [.000050] MIN NICKEL.
- 3. CIRCUIT 3 IS WITHOUT CONTACT.
- 4 CONTACT AND RECEPTACLE SHIELD: BRASS.

THIS DRAWING IS A CONTROLLED DOCUMENT.		DWN L. VARELA - DOCK5 11-12-04	Tyco Electronics Corporation Harrisburg, PA 17105-3608	
DIMENSIONS: mm [INCHES]		CHK C. ROHDE 11-12-04		
TOLERANCES UNLESS OTHERWISE SPECIFIED:		APVD M. WALMSLEY 11-12-04	NAME	
0 PLC ± -		PRODUCT SPEC	108-10047	
1 PLC ± -		APPLICATION SPEC	114-40025	
2 PLC ± 0.13 [.005]		WEIGHT -	SIZE A2	CAGE CODE 00779
3 PLC ± -		FINISH	DRAWING NO C=5788133	RESTRICTED TO -
4 PLC ± -			SCALE 4:1	SHEET 1 of 1
ANGLES ± 2°				REV 01
MATERIAL 1 4			CUSTOMER DRAWING	

5788133-1  
PART NUMBER

5788133