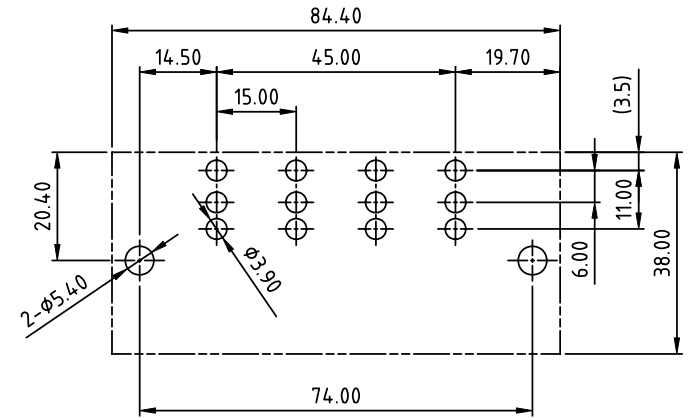
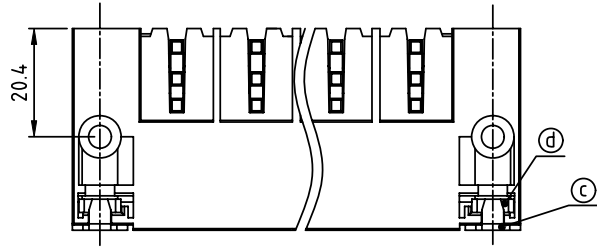
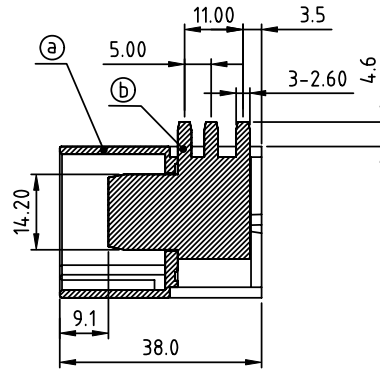
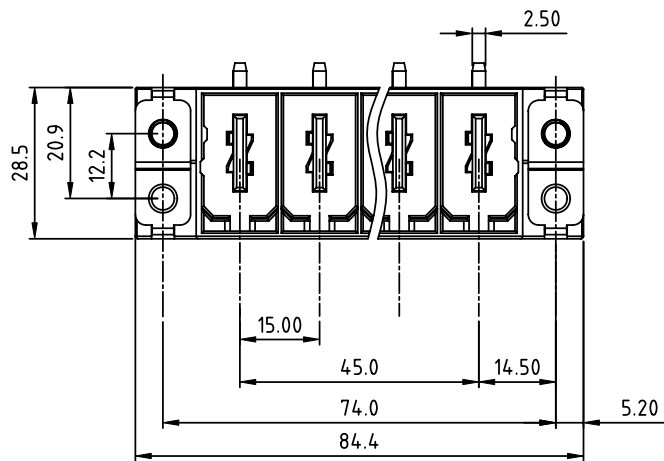


PRODUCT NUMBER	PITCH
KU04C2x100J0G	15.00 mm



RECOMMENDED P.C.B. LAYOUT
TOP VIEW



Material:

- Item (a) Terminal housing: Thermoplastic (UL94V-0)
- Item (b) Male contact: Copper. Gold plated.
- Item (c) Contact: Brass, Tin Plated.
- Item (d) With flange nut: Steel M5.0 zinc plated.

Electrical:

- cULus
- Voltage rating: 600 V
 - Current rating: 115 A
 - Withstanding Voltage: 2.2 KV
 - Operating temperature: -40°C to +115°C
 - Soldering temperature: 260°C±5°C/5 Sec
 - Safety Approval: us

PART NO.: KU 04 C 2 x 1 00J0 G

- | | |
|---------------------|--|
| Color | RoHS compliant
(lead<4%)
In copper Alloy |
| 0 Black (RAL9005) | |
| 2 Red (RAL3001/D) | |
| 3 Orange(RAL2011/P) | |
| 4 Yellow(RAL1018/A) | |
| 5 Green(RAL6018/T) | |
| 6 Blue (RAL5015/A) | |
| 8 Grey(RAL7035/D) | |
| 9 White(RAL1102) | |
| C Green(RAL6018/U) | |

mat'l. code		surface ASME Y14.5 ✓	tolerance ASME Y14.5	projection 	product family TERMINAL BLOCK	
ltr	ecn no	dr	date	tolerances unless otherwise specified	title TERMINAL BLOCK PLUGGABLE SOCKET, RIGHT ANGLE WITH FLANGE, SHIELD FEED-THROUGH	
				angles X°±1°		
				scale	sheet 1 of 1 size	
		dr	EVIN ZHONG	050814	KU04C2x100J0G	
		enrg	EVIN ZHONG	050814		A4
		chr	HANKE FENG	050814		
		appd	SHI JUN	050814	type	CUSTOMER Drawing
sheet index	revision sheet	A	1			