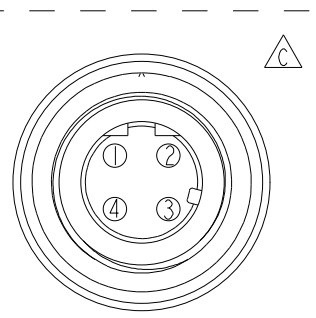
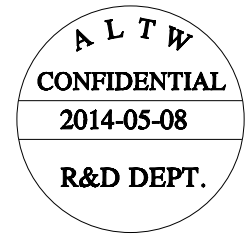
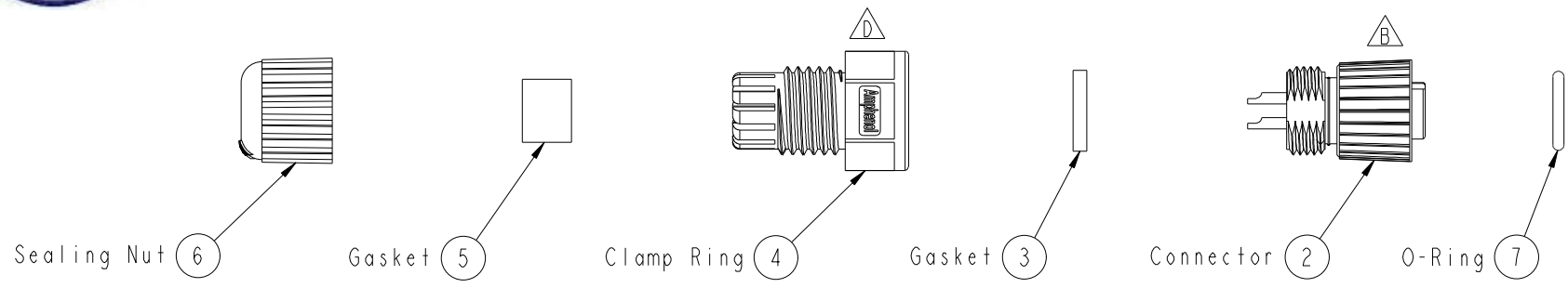
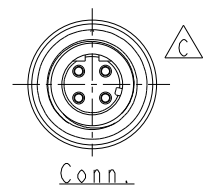
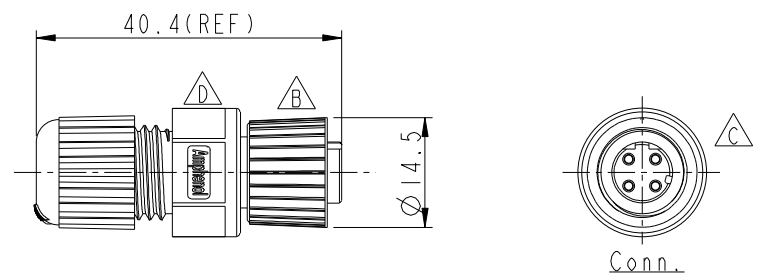


THIS DOCUMENT IS SUBJECT TO CHANGE WITHOUT NOTICE. IT IS CONFIDENTIAL AND A PROPERTY OF Amphenol LTW. DISCLOSURE TO THIRD PARTY HAS TO BE AUTHORIZED BY Amphenol LTW.

REV.	ECN NO.	DATE	SIGN	DESCRIPTION
B	LE3-6B0092	2006/11/09	Jerry	Remove the section & Change nut.
C	LEN1340068	2013/04/18	Yulong	Update The Drawing
D	LEN1450092	2014/05/08	Jinhai	Change LOGO To Amphenol



Pin Assignments
Front View



- Note:
- * Waterproof Rate: IP68
 - * Housing: Black, Nylon+GF
 - * Pin: Copper Alloy, Gold Plated
 - * Nut: Zinc Alloy, Nickel Plated
 - * Ring: Green, Viton
 - * Gasket: Black, EPDM
 - * Clamp Ring: Black, Nylon
 - * Sealing Nut: Black, Nylon
 - * Seals: Black, EPDM
 - * Seal For Cable OD: $\varnothing 4.5\text{mm} - \varnothing 6.5\text{mm}$

UNIT:mm		
TOLERANCE		
.X	± 0.25	
.XX	± 0.1	
.XXX	± 0.05	
ANGLES	$\pm 1^\circ$	

TITLE M12 D Code Assy Screw 4Pin F Conn F Pin			
SCALE 1:1	SIZE A4	SHEET 1 OF 1	
REV. D	WC-REV. A.6	QC: Inspection item	

Amphenol LTW
安費諾亮泰企業股份有限公司

ITEM NO 12D-04BFFA-SL8001	DRAWN BY Jinhai	DATE 2014-05-08
DWG NO 12D-04BFFA-SL8001	CHECKED BY Di-Lu	DATE 2014-05-08
CUSTOMER ALTW	APPROVED BY Jerry	DATE 2014-05-08