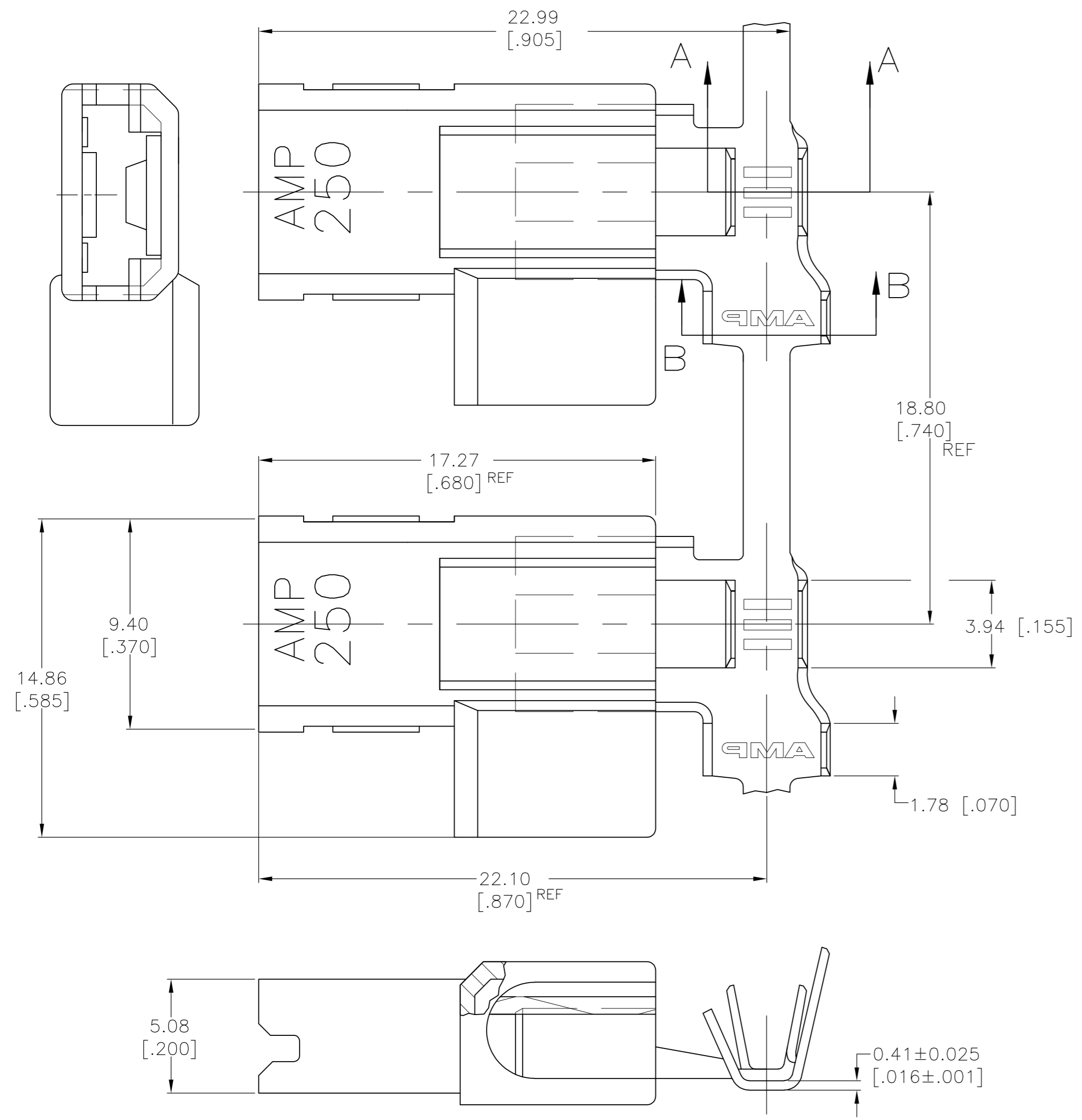
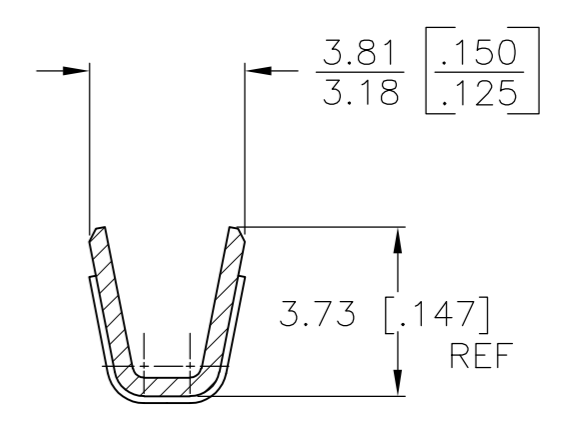
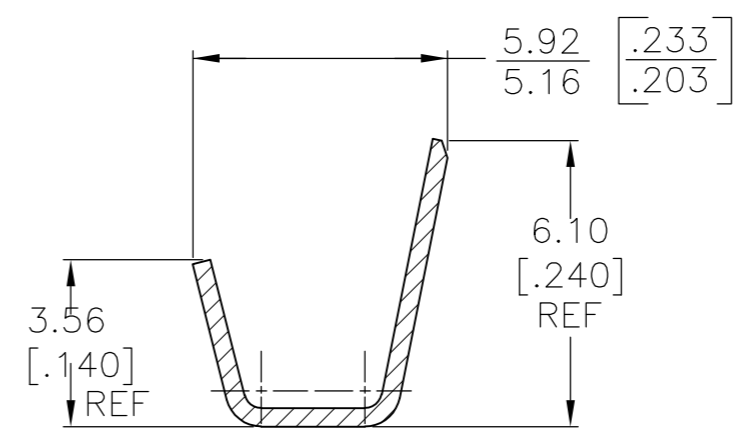


THIS DRAWING IS UNPUBLISHED. RELEASED FOR PUBLICATION
 © COPYRIGHT BY TYCO ELECTRONICS CORPORATION. ALL RIGHTS RESERVED.

LOC	DIST	REVISIONS					
AF	50	P	LTR	DESCRIPTION	DATE	DWN	APVD
		A1		REVISED PER ECR-10-005376	11MAR10	JR	GP



- 1 BUDGET FLAG FASTON TERMINALS, BASE P/N 63559, ARE USED IN THIS PRODUCT.
- 2 PENDING UL & CSA APPROVALS FOR WIRE SIZES: #18, #16, #14 AWG STRANDED WIRE ONLY.
- 3 INSULATION RANGE IS 2.79-4.06 [.110-.160] DIA.
- 4 PRELIMINARY - NOT FOR PRODUCTION.
- 5 PRE-PRODUCTION - FASR REQUIRED.



SECTION B-B

SECTION A-A

NYLON 4/6 - BLACK	TIN PLATED - 4M BRASS	1969283-2	5
	PLAIN - 4M BRASS	1969283-1	4
HOUSING MATERIAL / COLOR	TERMINAL FINISH - MATERIAL	PART NO	

THIS DRAWING IS A CONTROLLED DOCUMENT.		DWN RAGHAVENDRA 08JUN2009	Tyco Electronics Corporation Harrisburg, PA 17105-3608	
DIMENSIONS: INCHES	TOLERANCES UNLESS OTHERWISE SPECIFIED:	CHK PORTA GARY 08JUN2009	NAME -	
	0 PLC ± -	APVD PORTA GARY 08JUN2009	PRODUCT SPEC 108-1285	
	1 PLC ± -		APPLICATION SPEC 114-2124	
MATERIAL SEE TABLE	FINISH SEE TABLE	SIZE A2	CAGE CODE 00779	DRAWING NO C=1969283
		WEIGHT -	SCALE 6:1	SHEET 1 of 1
		CUSTOMER DRAWING	RESTRICTED TO -	REV A1

1969283