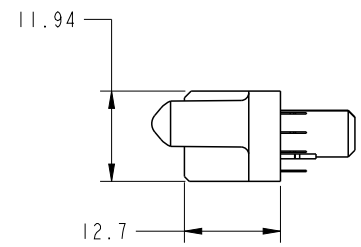
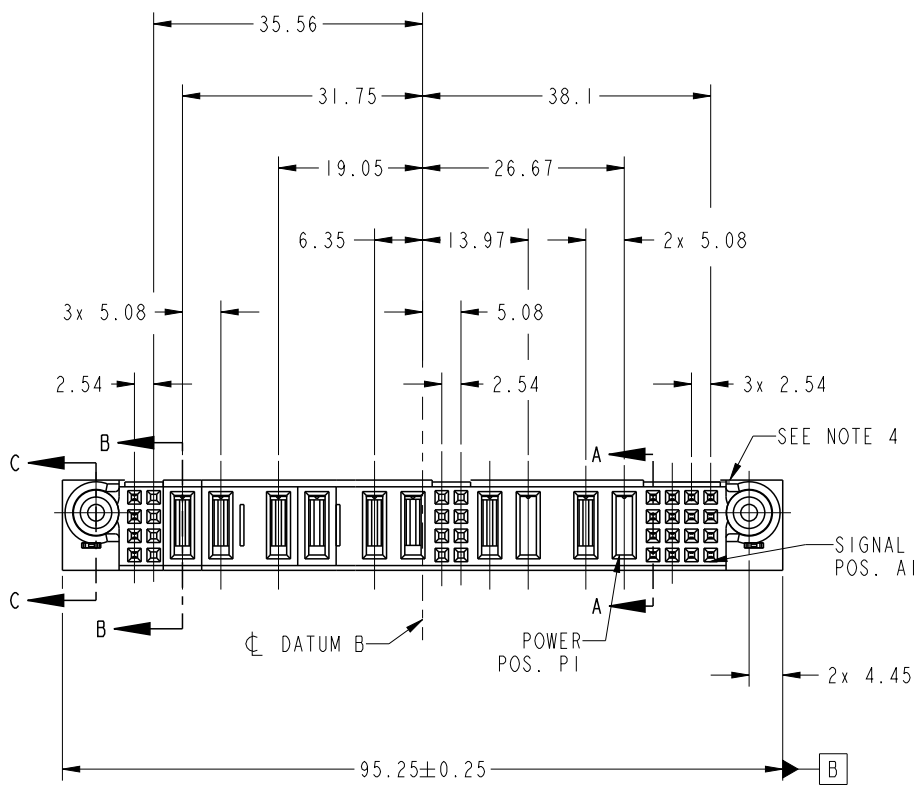


PRODUCT NO.	ROWS	SGL	POWER								SGL	POWER				SIGNAL														
		E2	8	7	P10	P9	P8	P7	P6	P5	6	5	P4	P3	P2	P1	4	3	2	1	E1									
51940-530-- NOTE: 3	D C B A		F	X		PH	PH	PH	PH	PG	PG	X	X	X	X	PG	X	PH	X	F	F	F	F	F	F	F	F	F	F	



CODE	DIM "M" MATING LENGTH	CONTACT TYPE
HA	[N/A]	HOLD-DOWN
PH	[2.34]	POWER
PG	[1.07]	POWER
F	[N/A]	SIGNAL
X	OMITTED	OMITTED



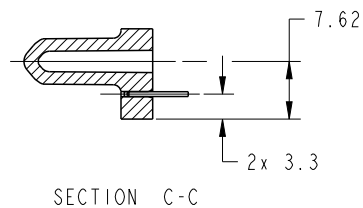
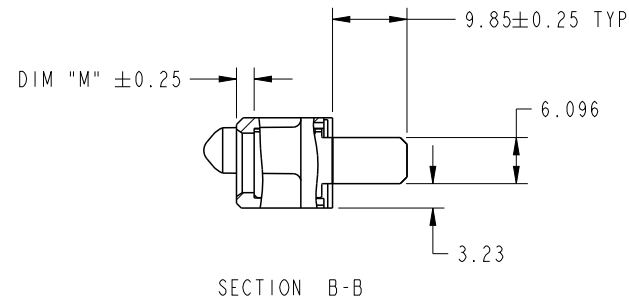
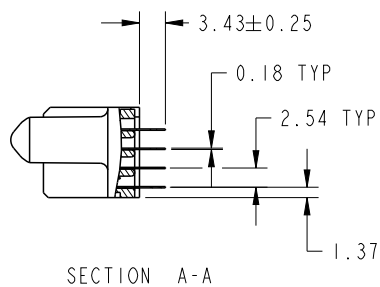
Copyright FCI.

spec ref	*	dr	Ruan MT	2014/03/31	projection	MM	size	A4	scale	1:1	
tolerance std	TOLERANCES UNLESS OTHERWISE SPECIFIED	eng	De-Ming Lu	2014/05/04			ecn no	-	rel level		Released
surface	linear	chr	-	-	product family	PwrBlade	rev		A		
	angular	appr	Pei-Ming Zheng	2014/05/04	title		51940-530		sheet 1 of 4		
	0.X ±0.5	www.fci.com		16S + 4P + 8S + 6P + 8S		cat. no.		Product - Customer Drw			
	0.XX ±0.25			VERTICAL PRESS-FIT RECEPTACLE		dwg no		STATUS:Released			
	0.XXX ±0.1							Printed: May 05, 2014			
	0° ±2°										

PrdE File - REV C - 2009-06-09

PRODUCT NUMBER

51940-530__
NOTE: 3

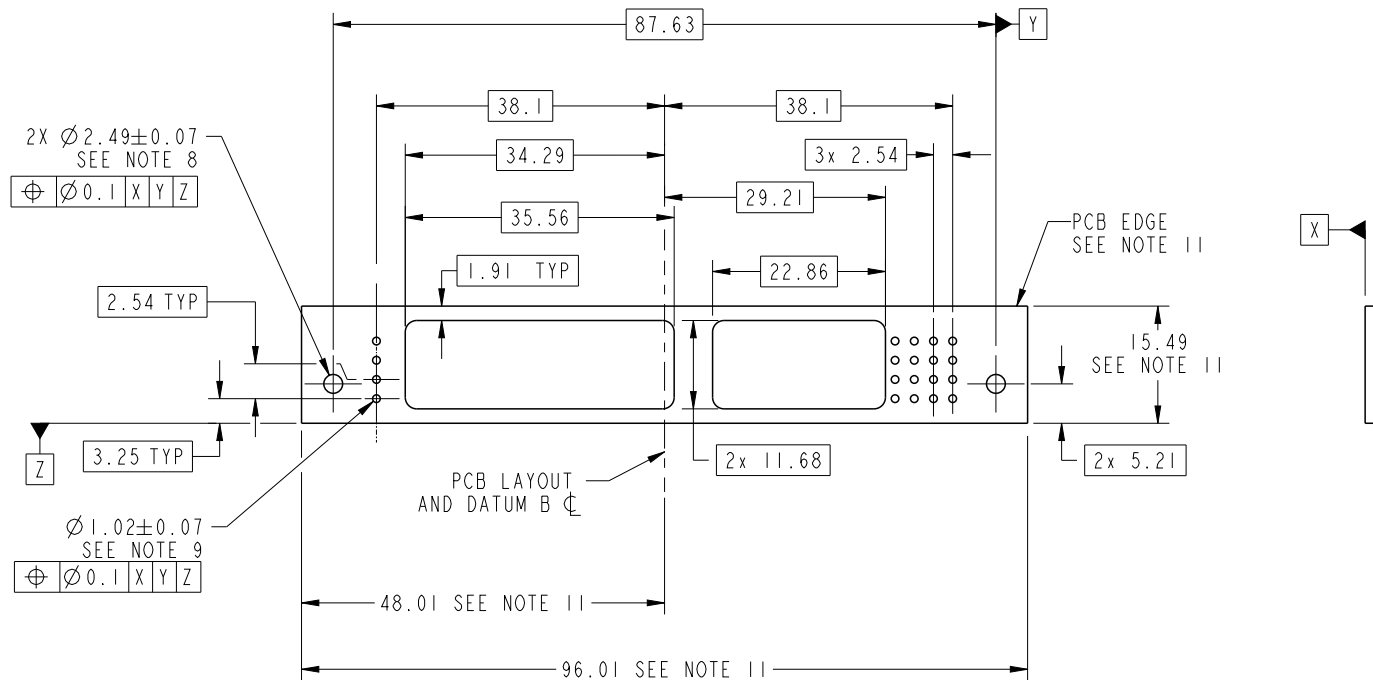


Copyright FCI.

dr	Ruan MT	2014/03/31	projection 	MM 	size	A4	scale	1:1
eng	De-Ming Lu	2014/05/04			ecn no	-		
chr	-	-			rel level	Released		
appr	Pei-Ming Zheng	2014/05/04	product family	PwrBlade				
	title	16S + 4P + 8S + 6P + 8S		dwg no	51940-530		rev	A
www.fci.com	cat. no.	-	Product - Customer Drw			sheet 2 of 4		

PRODUCT NUMBER

51940-530__
NOTE: 3



RECOMMENDED PCB LAYOUT

dr	Ruan MT	2014/03/31	projection 	MM 	size	A4	scale	1:1	
eng	De-Ming Lu	2014/05/04			ecn no	-			
chr	-	-			rel level	Released			
appr	Pei-Ming Zheng	2014/05/04	product family	PwrBlade					
	title	16S + 4P + 8S + 6P + 8S VERTICAL PRESS-FIT RECEPTACLE			dwg no	51940-530		rev	A
www.fci.com	cat. no.	-	Product - Customer Drw			sheet 3 of 4			

1

2

3

4

PRODUCT NUMBER
 51940-530__
 NOTE: 3

NOTES:

1. DIMENSIONS AND TOLERANCES ARE IN ACCORDANCE WITH ASME
 Y14.5M, 1994 UNLESS OTHERWISE SPECIFIED.

CONNECTOR NOTES:

- 2. HOUSING MATERIAL: UL 94 V-0 GLASS FILLED HIGH-TEMP THERMOPLASTIC
 POWER CONTACT MATERIAL: COPPER ALLOY
 SIGNAL PIN MATERIAL: COPPER ALLOY
- 3. PLATING:
 SEE ITEM 7 & 8 PRINT 10064183 FOR PLATING SPEC OF 51940-530; 51940-530LF.
- 4. MANUFACTURER'S NAME, P/N, AND DATE CODE TO APPEAR ON THIS SURFACE.
- 5. PRODUCT SPECIFICATION GS-12-149.
 APPLICATION SPECIFICATION BUS-20-067.
- 6. PACKAGED IN TRAYS.

PCB NOTES:

- 7. ALL HOLE DIAMETERS ARE FINISHED HOLE SIZE.
- 8. MOUNTING HOLES, WHERE APPLICABLE, ARE UNPLATED.
- 9. $\varnothing 1.151 \pm 0.025$ DRILLED HOLES PLATED WITH 0.008 MIN
 SnPb OR Sn OVER 0.03 TO 0.08 Cu PLATING TO ACHIEVE
 $\varnothing 1.02 \pm .07$ HOLE.
- 10. "DIM XXX" TO BE DETERMINED BY THE CUSTOMER.
- 11. CONNECTOR KEEP-OUT ZONE.

A

B

C

D

A

B

C

D



Copyright FCI.

dr	Ruan MT	2014/03/31	projection 	MM 	size	A4	scale	1:1	
eng	De-Ming Lu	2014/05/04			ecn no	-			
chr	-	-							
appr	Pei-Ming Zheng	2014/05/04	product family	PwrBlade	rel level	Released			
	title	16S + 4P + 8S + 6P + 8S VERTICAL PRESS-FIT RECEPTACLE			dwg no	51940-530		rev	A
www.fci.com	cat. no.	-	Product - Customer Drw			sheet 4 of 4			

2

3