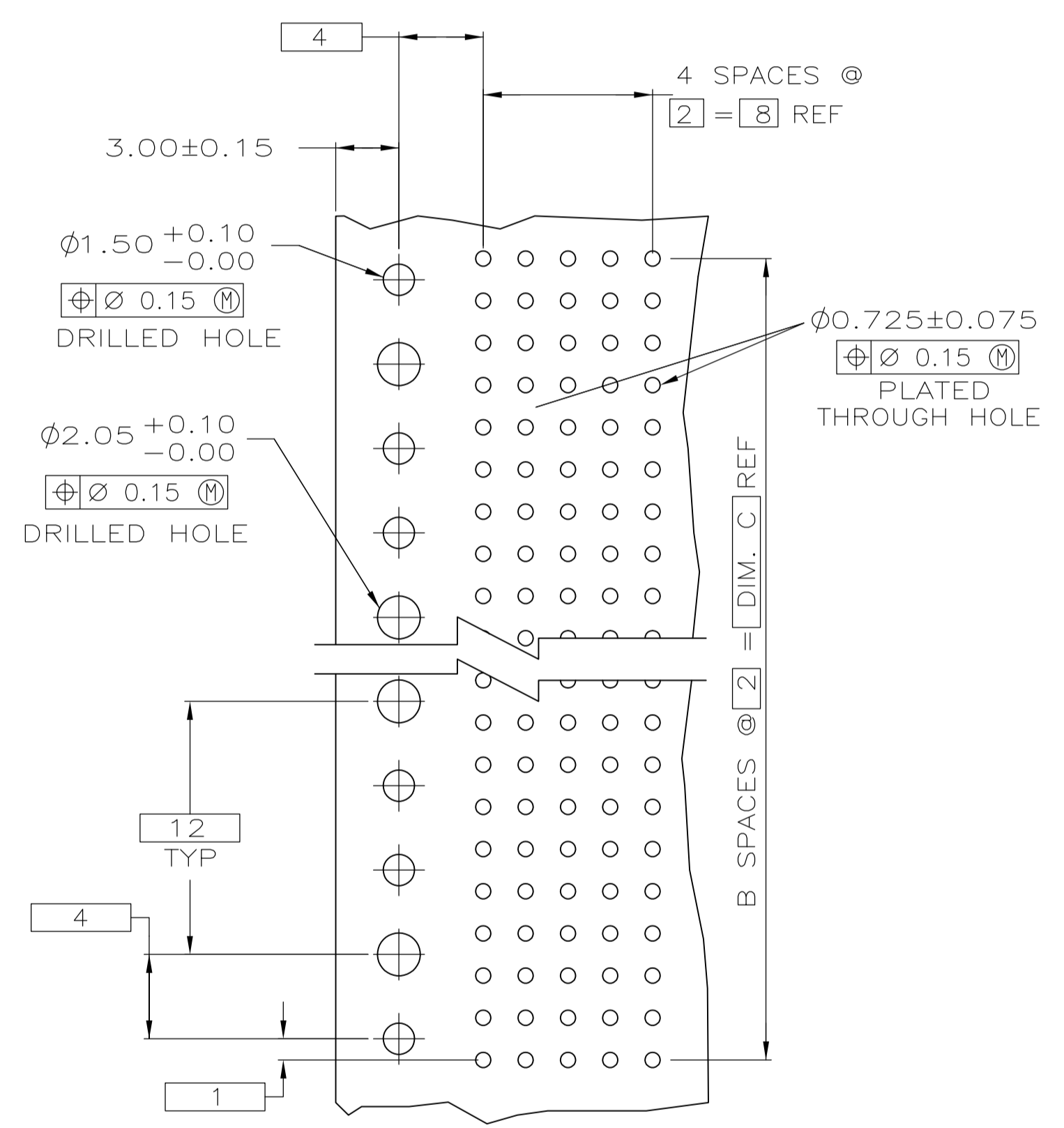
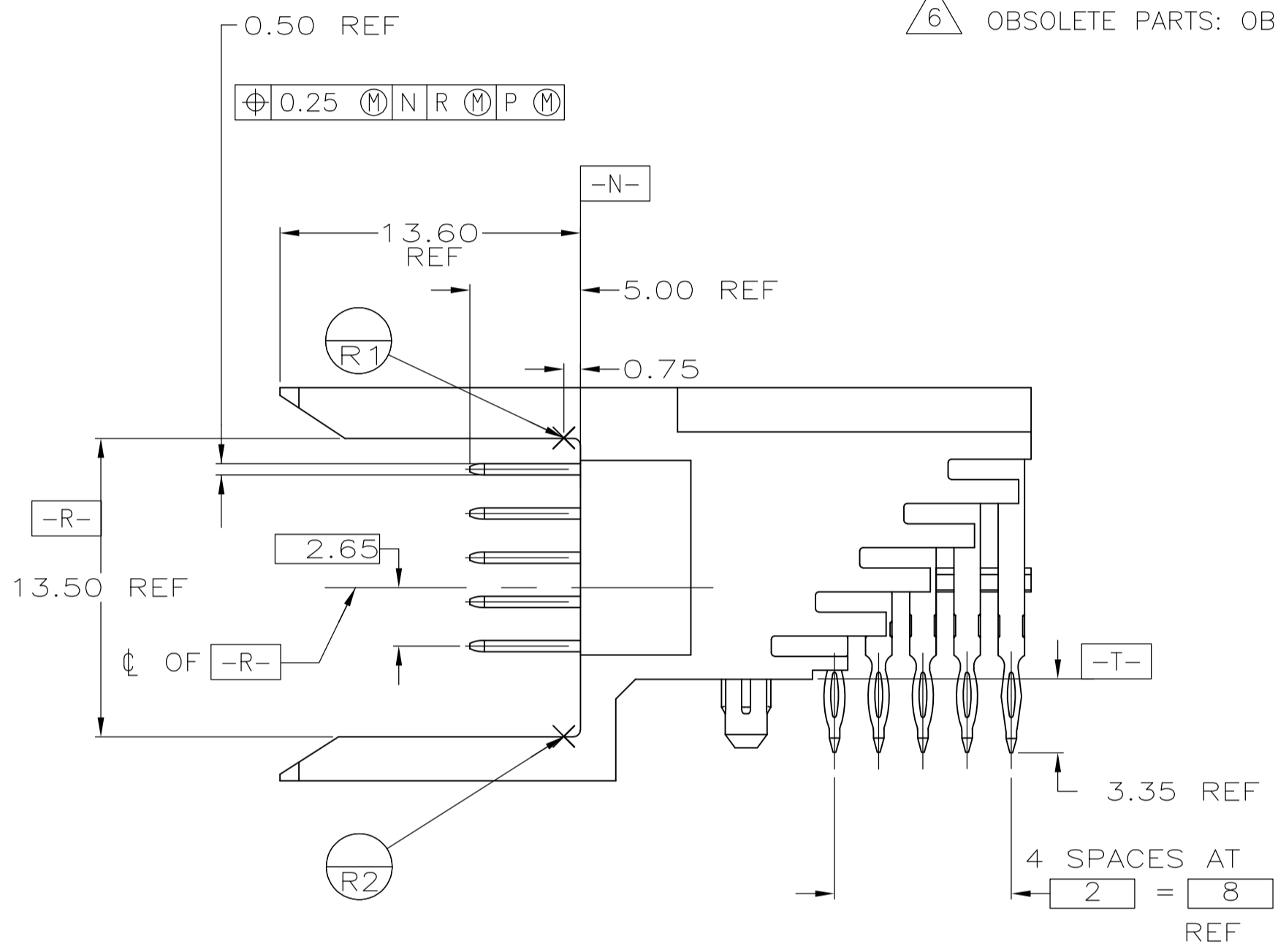
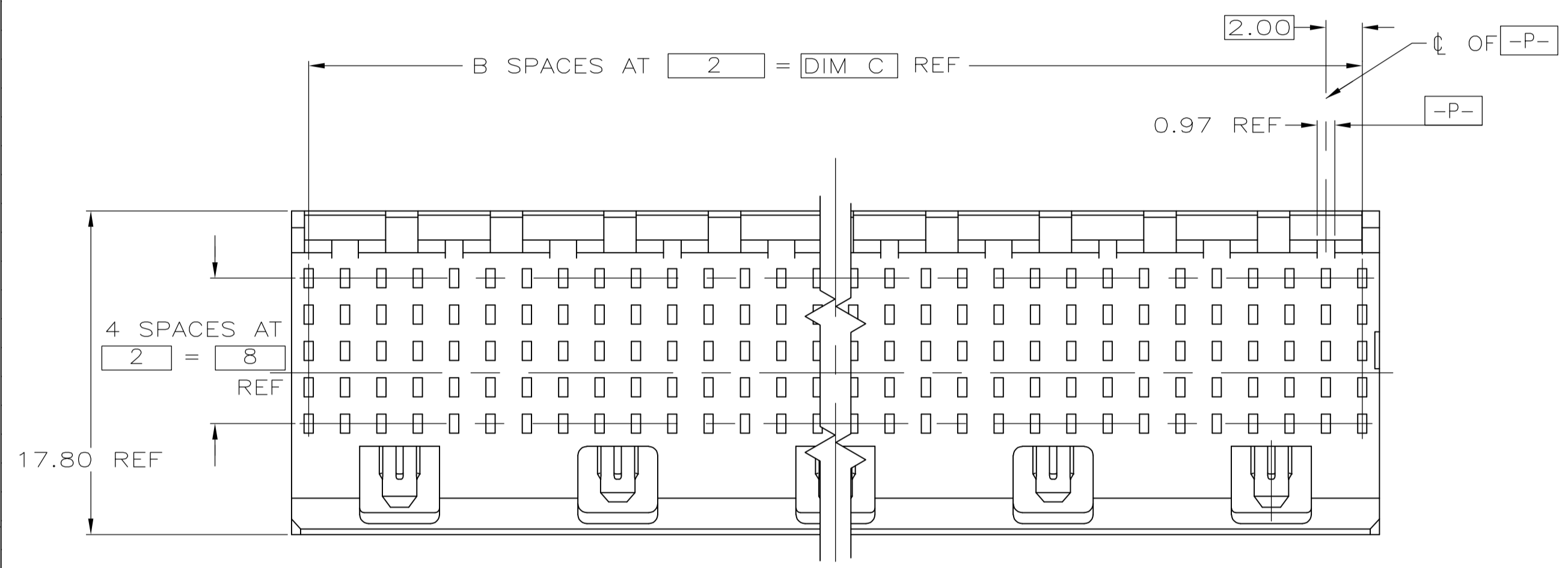
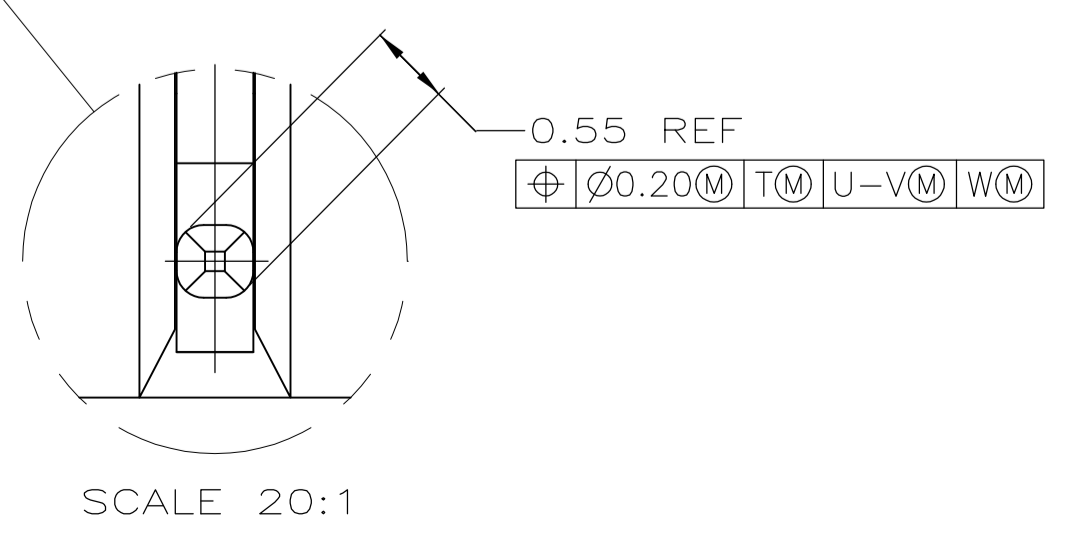
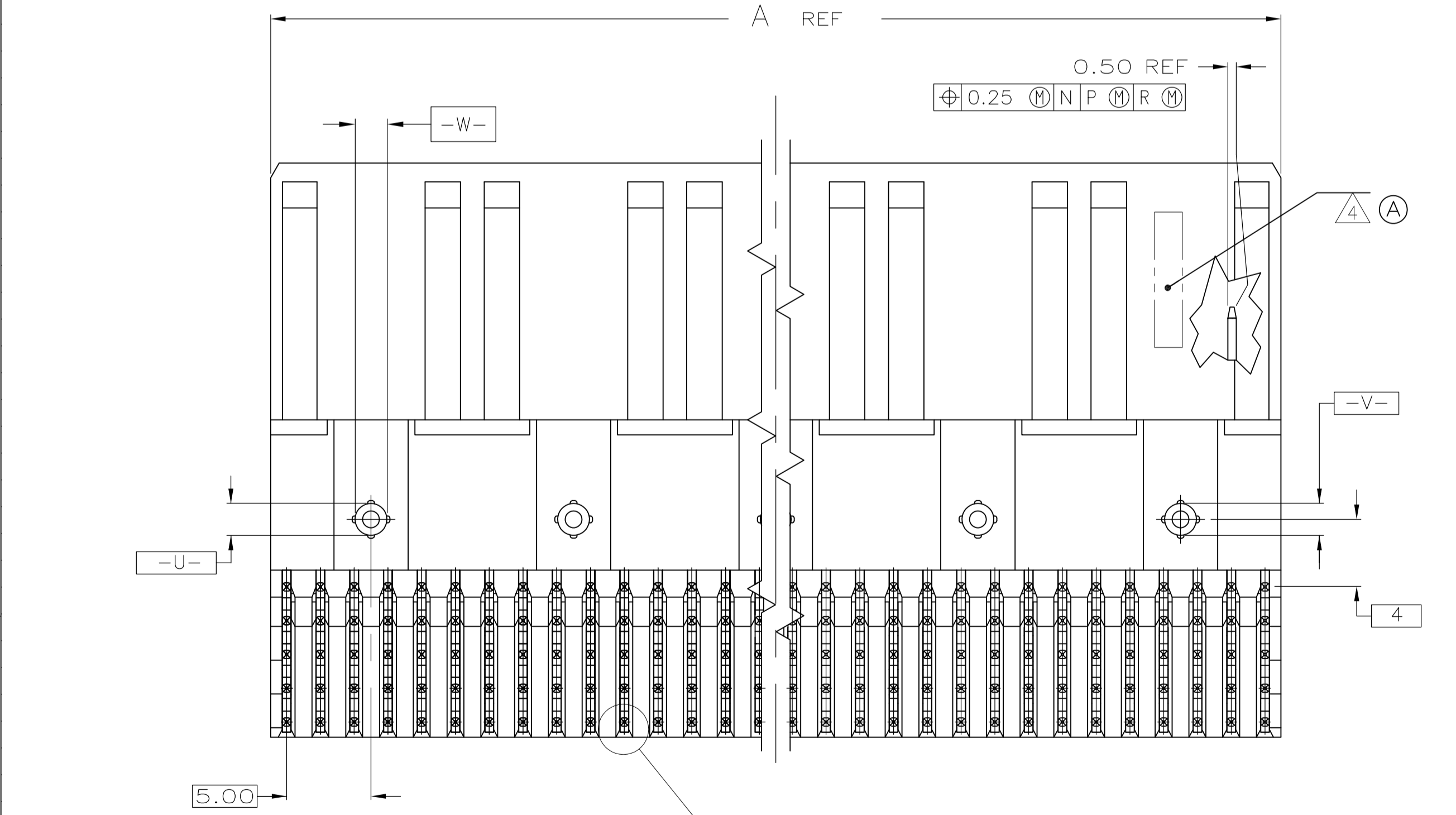


- ① HOUSING MATERIAL: LIQUID CRYSTAL POLYMER
COLOR: NATURAL.
- ② CONTACT MATERIAL: PHOSPHOR BRONZE
- ③ CONTACT FINISH:(C)
UNDERPLATE (ENTIRE CONTACT):
0.00127 MIN NICKEL PER SAE-AMS-QQ-N-290
ON MATING SURFACES:
CONFORMS TO ALL TESTING SPECIFIED FOR TELCORDIA
UNCONTROLLED ENVIRONMENT.
ON LEADS:
0.0005 MIN MATTE TIN PER ASTM B 545 OVER UNDERPLATE.
LUBRICATION (MIN MATING SURFACES):
SURFACE CONDITIONER AFTER PLATING.
- ④ PART MARKING PER TE SPEC 115-9009 LOCATED APPROXIMATELY
AS SHOWN BETWEEN RIBS/SLOTS ON EITHER SIDE OF HOUSING AT
MANUFACTURER'S DISCRETION.
- ⑤ PART TO BE MARKED WITH DATE CODE ONLY.
- ⑥ OBSOLETE PARTS: OBSOLETE CIS STREAMLINING PER D.RENAUD/D.SINISI



RECOMMENDED CIRCUIT PATTERN
 PER IPC-D300 TYPE II, CLASS C
 (COMPONENT SIDE)



	82	41	83.88	③	210	5223524-7
	70	35	71.88	③	180	5223524-6
⑥ OBSOLETE	58	29	59.88	③	150	5223524-5
	46	23	47.88	③	120	5223524-4
⑥ OBSOLETE	34	17	35.88	③	90	5223524-3
	22	11	23.88	③	60	5223524-2
	10	5	11.88	③	30	5223524-1
	C	B	A	FINISH	NO OF POSN	PART NUMBER

THIS DRAWING IS A CONTROLLED DOCUMENT.

DIMENSIONS:	TOLERANCES UNLESS OTHERWISE SPECIFIED:	APVD	NAME
mm	0 PLC ± - 1 PLC ± - 2 PLC ± 0.13 3 PLC ± - 4 PLC ± - ANGLES ± -	R. WERTZ	R. WERTZ
MATERIAL	FINISH	SIZE	SCALE
① ② ③		A1	4:1

ASSEMBLY, PIN HEADER, RIGHT ANGLE,
 5 ROW, Z-PACK 2mm FB,
 PRESS FIT LEADS

00779 C=5223524

CUSTOMER DRAWING