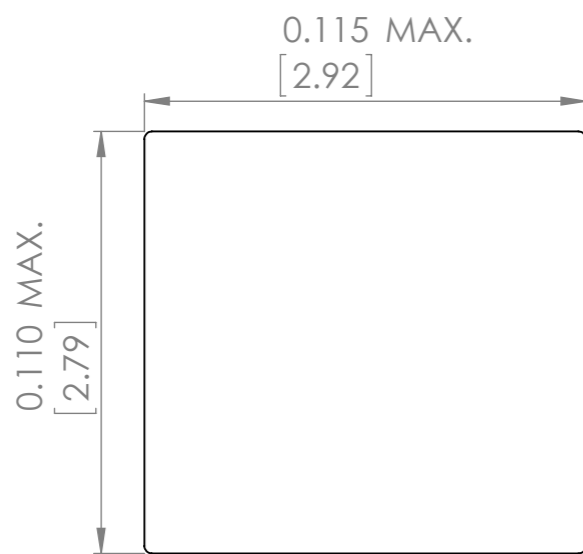
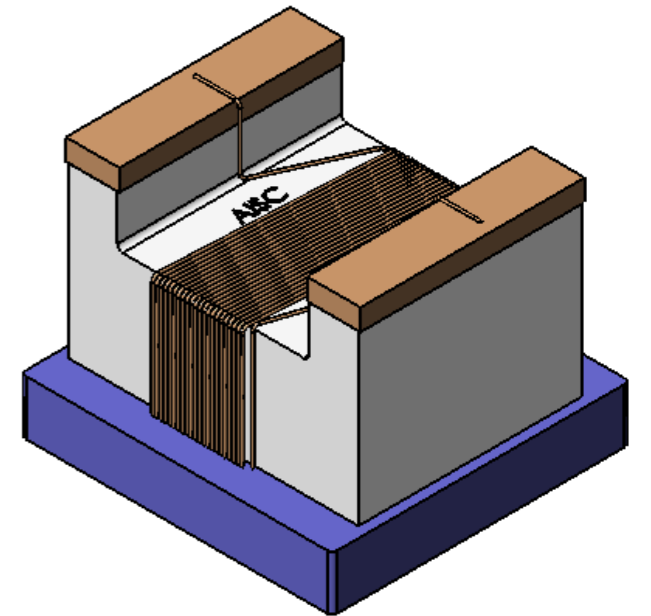
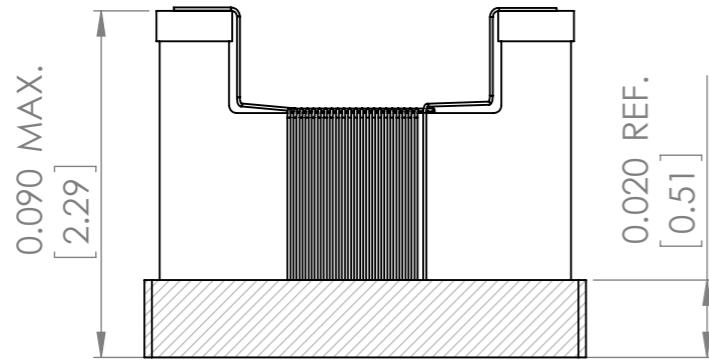
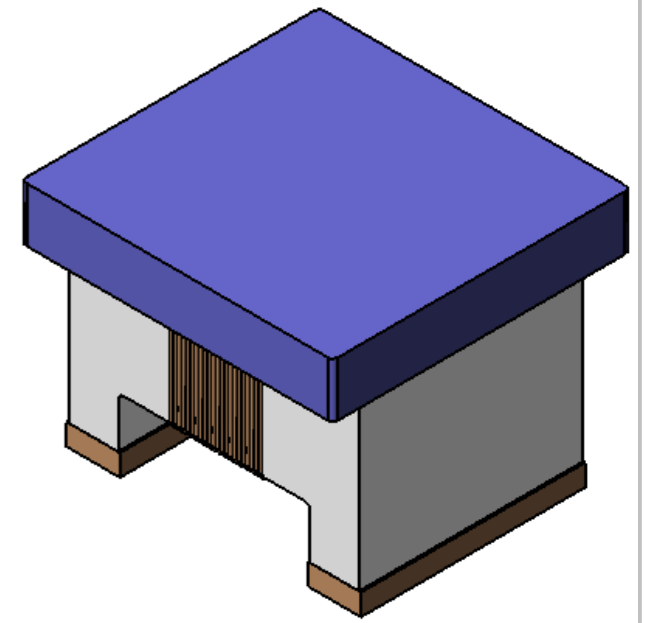
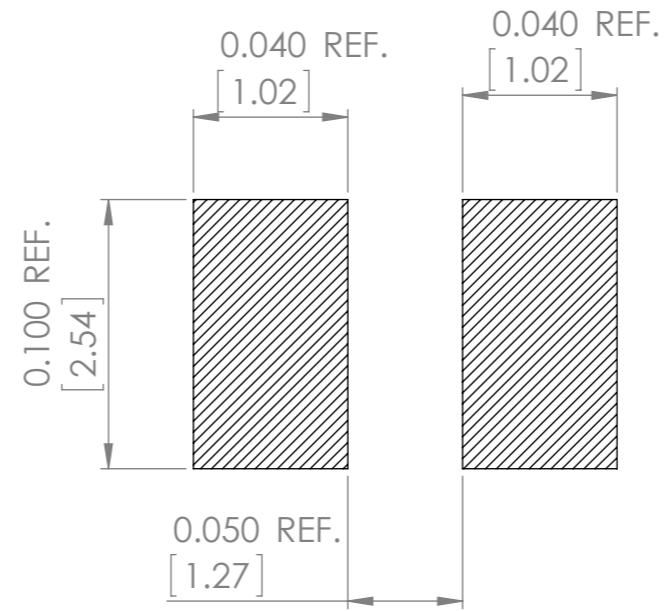
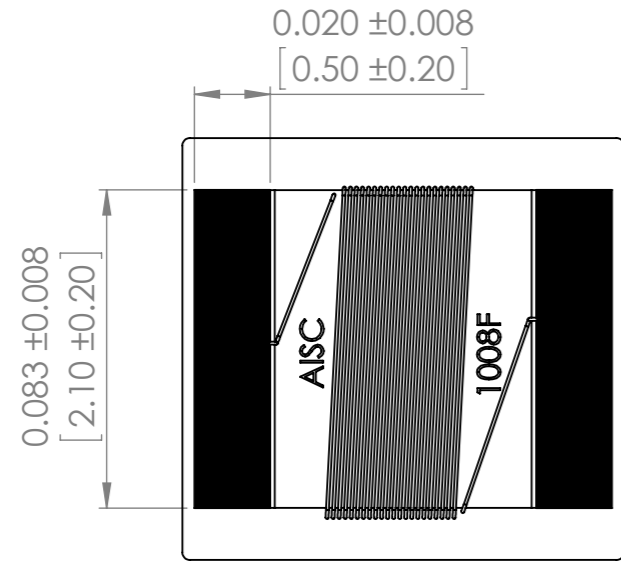



**Recommended Land Pattern**



UNLESS OTHERWISE SPECIFIED: DIMENSIONS ARE IN INCH(MM) SURFACE FINISH: TOLERANCES: LINEAR: ANGULAR:				FINISH:		DEBUR AND BREAK SHARP EDGES		DO NOT SCALE DRAWING		REVISION -	
DRAWN SAAZVAT				SIGNATURE		DATE		 30332 Esperanza, Rancho Santa margarita, California 92688			
CHK'D XXXXXX								TITLE: Wirewound			
APP'V'D								DWG NO. AISC-1008F			
MFG								SCALE:20:1			
Q.A						MATERIAL:		SHEET 1 OF 1			
						WEIGHT:		A3			